

### ECO SC MODEL

MD-03-E-S  
MD-04-E-S  
MD-05-E-S  
MD-06-E-S  
MD-08-E-S  
MD-10-E-S

### ECO REMOTE MODEL

MD-03-E-R  
MD-04-E-R  
MD-05-E-R  
MD-06-E-R  
MD-08-E-R  
MD-10-E-R



### CONSTRUCTION

- Exterior: Galvanized and Epoxy painted Steel construction
- Modular construction for lineup capabilities
- Ends: Thermoformed PS, increased visibility with large tempered glass
- Elegant and compact design with easy cleaning
- Insulation: CFC-Free high-density, injected PU
- Installation: High strength adjustable feet
- Liftup tempered front glass
- Stainless steel back shelf
- Large storage doors
- Stainless steel deck panels

### ILLUMINATION

- Top shelf fluorescent illumination
- T8 bulbs, electronic ballast for increased efficiency and lifetime

### ELECTRICALS

- Programmable digital controller with temperature readout, automatic defrosting
- Static air refrigeration providing best RH for product conservation
- Independent storage refrigeration
- Self contained R404A compressor
- R404A expansion valve and solenoid on remote refrigeration versions

### OPERATING CONDITIONS

- The appliance should not be installed close to heat sources and locations where cold air circulation in the unit could be disrupted

### TEMPERATURE RANGE

- 34 to 41°F (ambient 75°F/55% RH)
- Additional NSF control thermometer

### OPTIONS

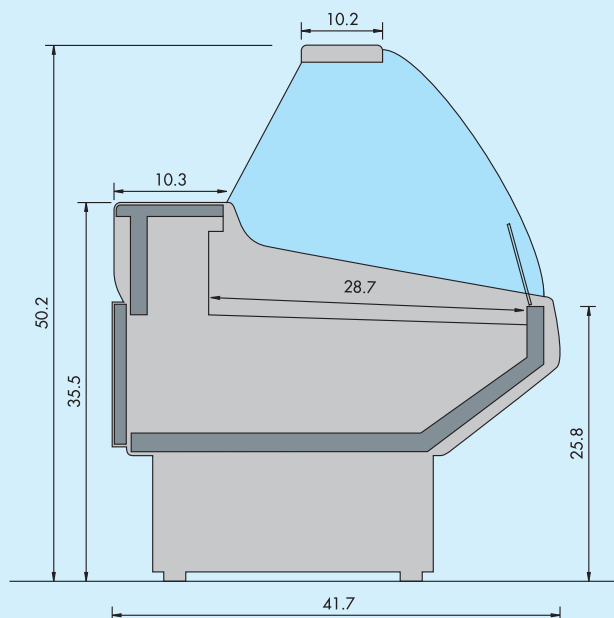
- Adjustable intermediate shelf
- Automatic defrosted water evaporation
- Deck grids kit
- Knife holder
- Scale holder
- Bag dispenser
- Back sliding doors
- Castor kit

## DELI CASES



REFERENCE	DISPLAY AREA (sq.Ft)	CAPACITY (cu.Ft)	EXTERIOR DIMENSIONS (")			POWER V / Hz / Ph	AMPS	HP	CRATED WEIGHT (lbs)
			L	D	H				
<b>SC MODEL</b>									
MD-03-E-S	5.6	7.7	41.7	41.7	50.2	115 / 60 / 1	5.9	1/4	242
MD-04-E-S	6.8	10.2	51.5	41.7	50.2	115 / 60 / 1	6.4	3/8	306
MD-05-E-S	8.0	11.7	59.8	41.7	50.2	115 / 60 / 1	6.5	3/8	357
MD-06-E-S	10.8	15.9	79.5	41.7	50.2	115 / 60 / 1	7.3	1/2	485
MD-08-E-S	13.6	19.8	99.2	41.7	50.2	115 / 60 / 1	8.9	5/8	617
MD-10-E-S	16.0	23.3	115.7	41.7	50.2	115 / 60 / 1	9.4	5/8	740
<b>REMOTE MODEL</b>								Btu / h / ft	
MD-03-E-R	5.6	7.7	41.7	41.7	50.2	115 / 60 / 1	0.4	432	187
MD-04-E-R	6.8	10.2	51.5	41.7	50.2	115 / 60 / 1	0.5	432	251
MD-05-E-R	8.0	11.7	59.8	41.7	50.2	115 / 60 / 1	0.7	432	302
MD-06-E-R	10.8	15.9	79.5	41.7	50.2	115 / 60 / 1	0.8	432	429
MD-08-E-R	13.6	19.8	99.2	41.7	50.2	115 / 60 / 1	0.9	432	562
MD-10-E-R	16.0	23.3	115.7	41.7	50.2	115 / 60 / 1	1.3	432	685

### OPTIONS



C2CC533A0 - 12/2009  
 All dimensions in Inches. All specifications are subject to change without notice.  
 Not contractual information.