



**Wall-mounting units, Straddle units, Ceiling units
& Split and Bi Block units
7480 and 7492 series**

User Manual
Gebruikershandleiding
Gebrauchsanweisung
Le mode d'emploi



CONTENT

ENGLISH

GENERAL INSTRUCTIONS	4
INSTALLATION	5
REFRIGERATING CONNECTION	6
ELECTRIC CONNECTION	7
HYDRAULIC CONNECTION.....	9
DESCRIPTION OF THE UNIT	9
COMMISSIONING.....	10
USE.....	10
CONTROLS.....	10
PROTECTIONS AND SAFETIES.....	13
CLEANING, MAINTENANCE AND FAILURES.....	14

NEDERLANDS

ALGEMENE AANWIJZINGEN.....	20
INSTALLATIE	21
KOELAANSLUITING.....	22
ELEKTRISCHE AANSLUITING	23
HYDRAULISCHE AANSLUITING	25
BESCHRIJVING VAN DE UNIT	26
INGEBRUIKNAME.....	26
GEBRUIK.....	26
BESTURINGEN.....	27
BESCHERMINGS- EN VEILIGHEIDSRICHTINGEN.....	29
REINIGING, ONDERHOUD EN STORINGEN.....	30

DEUTSCH

ALLGEMEINE ANWEISUNGEN	37
AUFSTELLUNG.....	38
KÄLTETECHNISCHER ANSCHLUSS	39
ELEKTRISCHER ANSCHLUß	39
WASSERANSCHLUSS.....	41
AGGREGATBESCHREIBUNG.....	42
INBETRIEBNAHME	42
EINSATZBEREICH	43
KREISLAUFKOMPONENTEN.....	43
SICHERHEITSVORRICHTUNGEN.....	45
WARTUNG UND STÖRUNGEN	46

FRANÇAIS

INSTRUCTIONS GÉNÉRALES	52
INSTALLATION	53
BRANCHEMENT FRIGORIFIQUE	54
BRANCHEMENT ÉLECTRIQUE.....	55
BRANCHEMENT HYDRIQUE	57
DESCRIPTION DE L'UNITÉ.....	58
MISE EN MARCHÉ	58
EMPLOI	58
DISPOSITIFS DE CONTRÔLE	59
DISPOSITIFS DE PROTECTION ET DE SÉCURITÉ	61
NETTOYAGE, MAINTENANCE ET PANNES.....	62
DRAWINGS.....	68

The data of the manufacturer are indicated on the label identifying the unit, which is on the right side of the condensing unit.

The unit documentation consists of:

- Instruction manual;
- Instrumentation book;
- Wiring diagram and relative legend;
- Refrigerating system diagram and relative legend;

For a correct use of the refrigerating units, read carefully the manual and follow scrupulously the instructions written in it. The manufacturer disclaims all responsibility for injuries to persons or damages to things due to the non-observance of the instructions of this manual.

This manual has to be kept with care for any other references.

It is forbidden the total or partial reproducing of this manual without the written authorization of the manufacturer.

The manufacturer reserves the right to make the necessary changes at any time.

The manual is divided into the following subjects:

- GENERAL INSTRUCTIONS
- INSTALLATION
- REFRIGERATING CONNECTION
- ELECTRIC CONNECTION
- HYDRAULIC CONNECTION
- DESCRIPTION OF THE UNIT
- COMMISSIONING
- USE
- CONTROLS
- PROTECTIONS AND SAFETIES
- CLEANING, MAINTENANCE AND FAILURES

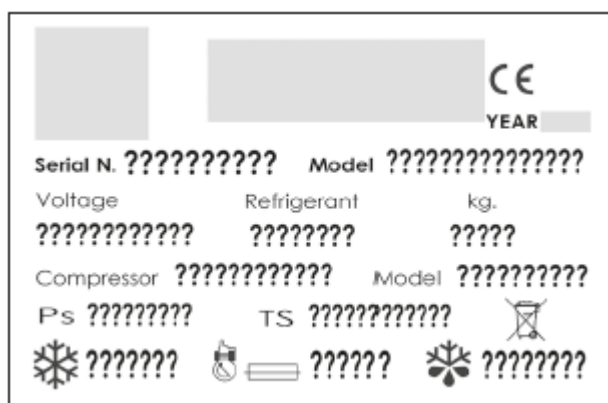
Technical specifications		
	Low pressure side (LP)	High pressure side (HP)
PS	16,5 bar	29,5 bar
TS	-40°C / +50°C	-25°C / +65°C

GENERAL INSTRUCTIONS

- The refrigerating unit is manufactured by respecting the regulations 73/23/CEE (low voltage), 89/336/CEE (electromagnetic compatibility) and the subsequent modifications.
- Read carefully the labels on the unit, do not cover them for any reason and replace them immediately if they are damaged.
- Do not store inflammable materials near the unit.
- Do not remove the protections or the panels that have to be taken off with tools.
- Do not use the unit in an explosive atmosphere.
- Do not wash the unit with direct or under pressure water jets, or with noxious substances.
- Do not put liquid containers on the unit.
- Place the unit far from sources of heat and of moisture.
- Pay attention not to damage the supply cable by bending, crushing or stress.
- Do not use the unit if the supply cable is damaged.
- The unit does not cause harmful vibrations; they are anyway below 2,5 m/s² on the superior limbs and 0,5 m/s² on the other parts of the body. In normal conditions, the unit does not cause harmful vibrations to the surroundings. The greatest vibrations are caused by the compressor; for this reason all the compressors, installed on our units, are provided with shock absorber feet (silent block or other similar methods) and they are connected to the refrigerating circuit through flexible pipes.
- Do not turn off the water interception tap while the unit is working.
- Pay attention to children and other people in the working area.
- In case of fire use a dry-chemical extinguisher.
- If during the work, unexpected problems crop up, act immediately on the main switch, which is on the switchboard of the unit.

Take the unit to the place of work; control if all the details concerning the installation have been arranged i.e. electric supply: holes in the walls for the units or for the drainpipes, the eventual unions for the water feed line.

The label identifying the unit is on the right side of the condensing unit, in the corner high above on the left.



INSTALLATION

The installation has to be executed by skilled workers who have the necessary technical qualifications established by the country where the unit is installed.

Proceed with the installation by following the drawings of the mounting diagrams (See diagrams a÷z2) and what below-described:

- **Wall-mounting units:** With the help of the forklift truck take the unit in correspondence with the installation hole, then introduce it in the place prepared; when the unit will be in the definitive position, make holes in correspondence with the fixing supports (**fig. 2-1**) and finish the positioning by using the screws provided (**fig. 2-2**). As concerns the units forms 4 and 5, after having made holes for the fixing (**fig. 2-3**) you have to mount bolts, nuts, washers and support plates provided together with the unit (**fig. 2-4**). Inject polyurethane or other insulating material in the split between the perimeter of the hole in the cold room wall and the unit insulated panel.
 - **Straddle units:** Make sure that the cold room ceiling has not been mounted, then take the unit in correspondence with the installation holes and introduce it in the place prepared. When the unit will be in the definitive position, install the cold room ceiling, then make holes in correspondence with the fixing supports (**fig. 2-1**) and use the screws provided (**fig. 2-2**). Unscrew the spacer blocks that lie on the evaporating side by means of the nut till its base leans on the cold room wall (**fig. 2-5**); screw the nut again forcing till the evaporator is levelled (**fig. 2-6**). Join the drainpipe, making it pass through the hole made in the cold room wall and then introducing it in the plastic union that lies on the condensing side back (**fig. 2-7**). Inject polyurethane or other insulating material in the splits left around the evaporator supports.
 - **Ceiling units:** By using a forklift truck, take the unit near the hole made in the cold room ceiling, then put it in the place foreseen. Remove the lifting cable and keep it for an eventual future use. Inject polyurethane or other insulating material in the split between the perimeter of the hole in the cold room ceiling and the unit insulated panel.
 - **Split and Bi Block units:** Put the evaporating unit in the definitive position by means of the forklift truck, make holes in the ceiling in correspondence with those already present on the bearing beams of the unit (**fig. 2-8**). Fix the evaporator to the wall following the right procedure: threaded bars passed through, like those provided (**fig. 2-9**), or expansive inserts or something else according to the structure of the cold room ceiling. Inject insulating material round the holes in the ceiling. On the wall, where the condensing unit of the units form 1, 2, 3 is going to be installed, fix expansive inserts with hook supplied with the unit (as concerns the dimensions, see the mounting diagram). Take the condensing unit to its definitive place and hang it on the hooks just fixed in such a way that they stick perfectly in the buttonholes that lie on the back of the condensing unit (**fig. 2-10**). The condensing units forms 4 and 5 have to be fixed as normally done for the Wall-mounting units of the same form (**figures 2-3 and 2-4**). The horizontal condensing unit does not need any fixing.
 - **Condensing units:** See what is described as concerns the installation of the condensing units of the Split models.
- N.B.** For an optimal use of the Condensing unit it is advisable to connect it with an evaporating unit, asking the distributor for the exact corresponding model. If an evaporator of a different brand or model is installed, the installer has to check if its technical characteristics are in accordance with the dimensioning foreseen by the manufacturer of the Condensing unit; that should not be the case, it is possible to execute the necessary changes only after having consulted the manufacturer.
- **Evaporating units:** See what is described as concerns the installation of the evaporator of the Split models.

N.B. For an optimal use of the Evaporating unit it is advisable to connect it with an condensing unit, asking the distributor for the exact corresponding model. If a condensing unit of a different brand or model is installed, the installer has to check if its technical characteristics are in accordance with the dimensioning foreseen by the manufacturer of the Evaporating unit; that should not be the case, it is possible to execute the necessary changes only after having consulted the manufacturer.

If the unit is installed in a cold room set indoors, make sure that the room is good aired.

N.B. Make sure that the wall and the ceiling, on which the unit has to be fixed, can bear the weight indicated in the relative table (tab. 1).

N.B. Remember that any time you have to move the unit, you have to lift it up and never push or drag it.

- **Lamp holder of the cold room light:** Open the lamp holder by loosening the screws (**fig. 2-11**), make holes in the points indicated (**fig. 2-12**), then with the screws provided or another suitable system fix the bottom of the lamp holder to the cold room wall (**fig. 2-13**) and near enough to the unit (maximum distance 1,5 m), so that it would not be necessary to lengthen the corresponding cable. After having connected the cable (see paragraph "ELECTRIC CONNECTION"), screw in the lamp and close the lamp holder again.
- **Remote control panel:** Open the board by loosening the screws that are in the corners or on the front side flanks (**fig. 2-14**). On some remote control panel models it is necessary to make holes in the little round hollows which are on the bottom of the box near the corners (**fig. 2-15**) and whose centre coincides with the centre of the bearing feet on the back. Fix the panel in a correct way (self-tapping screws, expansive inserts, etc.) using the present or just made holes (**fig. 2-16**); on some models caps are provided to close the fixing hollows (**fig. 2-17**). Make the eventual electric connections (see paragraph "ELECTRIC CONNECTION") and close the panel again.

REFRIGERATING CONNECTION

The refrigeration connection has to be executed by skilled workers who have the necessary technical qualifications established by the Country where the unit is installed.

To execute this connection, which is necessary on the Split and Bi Block models, you have to use the pipes provided with the units or those suggested in the relative table (tab. 2).

Usually the pipe installation is executed first of all positioning them and then connecting the unions provided with victualic couplings.

During the positioning of the suction pipe, remember that it has to lean lightly towards the compressor (**fig. 3-1**). In case there are rising tracts, it is necessary to make one or more syphons (**fig. 3-2**) before the vertical tract in order to make the return of the oil to the compressor easy; it is very important that the syphons have not too marked curvatures or sinks, especially when the section of the pipe is very large (**fig. 3-3**). As regards the liquid delivery pipe you have not to follow particular rules except for the beauty and the functionality; for this reason this pipe is normally put beside the suction pipe, certainly without making any syphons (**fig. 3-3**). Both pipes have to be fixed to the wall near the bends and on the straight tracts every 1,5 - 2 meters (**fig. 3-4**).

When the pipe positioning has been finished, the unions have to be joined. During this operation make sure that the connecting pipe is perfectly perpendicular to the surface on which the fixed union is fastened; in any case before tightening firmly the union, make sure that the screw thread has entered correctly. In case the union is a flange to be welded, remove the movable part of the union and then weld it with the pipe. Fix the two union parts again by interposing the gasket. In the Bi Block models, when the pipe connection has been finished, you have to create the vacuum in them and in the evaporator (the compressor- condenser- liquid receiver group is already under gas pressure); after having done this, the outlet shut-off valves of the liquid receiver and the suction shut-off valves of the compressor can be turned on, putting in this way the whole system under pressure. When the unit has been already set in motion, control if it would be necessary to fill up the system with gas or oil.

ELECTRIC CONNECTION

The electric connection has to be executed by skilled workers who have the necessary technical qualifications established by the country where the unit is installed.

Control that the voltage on the line corresponds with that indicated on the label fixed to the supply cable of the unit. The supply cable has to be well spread out (avoid rolling up or placing over), in a place not exposed to possible hits or tampering done by minors and it has not to be near liquid or water and heat sources, it has not to be damaged (if it was damaged, it should be replaced by skilled workers).

Use supply cables of the type and with the section suggested by the manufacturer, as indicated in the relative table (tab. 3). In case of replacement of the supply cable, make sure that the protection against the water penetration has been respected.

The electric supply system has to be provided with earth fault breaker or with a general automatic switch with an efficient floor outlet. If there is not any electric safety, an omni-polar switch has to be installed by skilled workers according to the safety regulations in force, with an opening distance of the contacts equal or superior to 3 mm. The manufacturer disclaims all responsibility, if these accident prevention-regulations are not observed.

In the Split models the condensing unit has to be connected with the evaporator: the cable that has to be used, whose characteristics are indicated in the relative table (tab. 3), is that coming out from the left side of the condensing unit.

In the Bi Block models the condensing unit has to be connected with the evaporator: the cable (not supplied) that has to be used is indicated in the relative table (tab. 3).

The connection of the evaporator of the Split units has to be executed as follows:

Remove the screws on the front side of the basin (**fig. 4-1**) so that those lying on the back side could act as a pivot and consequently the part to which the fans are fixed could open (**fig. 4-2**). Take the lid off the connection box (**fig. 4-3**), make the cables pass through both the cable glands that lie on the flank and through those lying on the connection box (**fig. 4-4**). Then execute the connection respecting the numerations indicated on the wires and on the terminal board labels. Tighten the cable glands so that the cables inside the evaporator could be well taut, close the connection box again and finally close the evaporator frame by using the screws previously removed.

The connection of the evaporator of the Horizontal Bi Block units forms 1, 2, 3a has to be executed by following the same instructions concerning the connection of the evaporator of the Split units.

After having connected the evaporator, connect the condensing unit in the following way:

remove the unit front panel (**fig. 4-14**). Open the switchboard. Make the cables pass through both the cable glands that lie on the right flank of the condensing unit and through those lying on the right flank of the switchboard (**fig. 4-15**); then execute the connection by respecting the numerations indicated on the terminal board. Close the switchboard and install the front panel again.

The connection of the evaporator of the Bi Block units and Horizontal Bi Block units forms 3b, 4, 5 has to be executed as follows:

take the right side of the evaporator off (**fig. 4-5**) and open the electric connection box (If the boxes are more than one, the connection box is always the lowest one). Open the switchboard of the condensing unit (in the units form 6 you have to open the panel set below on the left side of the unit, then open the plastic boxes). Insert the cables in the protection pipes (**fig. 4-6**), then carry out the connection respecting the numerations indicated on the terminal board of the condensing unit switchboard and of the connection box of the evaporator as indicated in the wiring diagram.

Cold room light cable (present on all units except the Split, Bi Block and Condensing units): has to be connected, by respecting the polarities, with the lamp holder supplied with the unit that should be already positioned (see paragraph "INSTALLATION"). Insert the lamp supplied in the lamp holder; in case of replacement of the lamp, use an incandescent lamp with a highest power of 60 W. A peak load of 200 W can be connected to the cable.

N.B. The cable gets voltage from the unit switchboard: do not connect it to an external supply.

Door heater cable (only on the low temperature units): is prepared to supply the anti-freezing heater that usually lies inside the door gasket as concerns the cold rooms working at low temperature. It can be used to supply the eventual compensation valve provided with the unit as well: the important thing is not to exceed the peak load that the cable can bear equal to 200 W. To execute the connection is necessary to respect the polarities.

N.B. The cable gets voltage from the unit switchboard: do not connect it to an external supply.

Door micro switch cable (only on the units with electronic control panel): is predisposed for the connection of an eventual micro switch that the user has to install on the cold room door. During the connection it is possible to work things in such a way that the electronic control panel operates automatically the light switching on and the stop of the fans or of the whole unit, when the cold room door is opened. It is also possible to select these functions through the programming of the parameters of the electronic control panel. The two poles of the cable are to be connected to the micro switch contact that is closed when the door is closed. If no micro switch is connected, the two wires have to remain connected to each other as delivered. In the Split and Bi Block units there is not the cable coming out of the unit, however the electronic control panel is predisposed for the connection.


N.B. The cable gets voltage from the unit switchboard: do not connect it to an external supply.


- **Condensing Units:** On the terminal board lying on the back side of the electric switchboard, there is the possibility to install a thermostat (or any other instrument) that controls the unit working; to execute this connection act as follows:
Remove the fixing screws of the front side (**fig. 4-7**), take the front side off after having disconnected the ground wire (**fig. 4-8**), remove the fixing screws of the electric switchboard (**fig. 4-9**), take the switchboard off its proper place (**fig. 4-10**), place the switchboard carefully laying it on the front side so as to manage to approach the protection fixed on the back (**fig. 4-11**), remove the screws fixing the protection (**fig. 4-12**), take the plastic protection off and remove the bridge between the terminals marked with the letters "ne" (**fig. 4-13**) and, instead of it, connect the thermostat contact. Repeat all the operations in the opposite order till the beginning conditions are restored. In some models, above all of the Horizontal condensing units, the terminal board is inside the electric switchboard.
- **Evaporating units:** See what is described as concerns the connection of the evaporator of the Split models.

The connection of the unit supply cable has to be made respecting the colour of the wires.

If the supply provides for the remote control panel, this is delivered with the cable and already connected. If, in case of not standard supplies, the control panel is not connected, the connections have to be executed respecting the wiring diagram and the numerations of the terminals and of the wires.

N.B. To limit the damages due to electrical noises, we suggest placing the cold room cable, the remote control panel cable and the probe cable as far as possible from the cables with a high power; anyway prevent the above-mentioned cables from crossing the power ones. If the unit is supplied by a power generator, make sure that the signal is perfectly sinusoidal: a square wave could cause noises which can damage the electronic instrument.

Every time you connect an evaporator or a remote control panel, a ground connection is to be executed; for this purpose near the terminal boards there is a screw or a terminal with the symbol  to which the ground cable has to be linked.

The ground connection of the unit is compulsory. Furthermore the unit has to be included in an equipotential system. The connection is done by a terminal marked with the symbol  set near the entrance of the line cable in the unit.

HYDRAULIC CONNECTION

This paragraph deals with the connection of the water condensers (only for the units provided with them) and of the condensed water drains. To connect the condensers you have to use pipes with a 3/8" diameter (except in the Wall-mounting units forms 4 and 5 in which the pipe diameter is 5/8") that have to be inserted in the machine tapers respecting the inlet and outlet indications. These machine tapers are to be screwed tightly so as to be sure that water cannot enter them.

Place the interception tap of the water feed line within the reach of the user.

To improve the efficiency and the working service of the unit verify if:

- the water temperature is between 20 and 30°C for the units with condensation by tower water and between 5 and 20°C for the units with condensation by well water;
- the water pressure is between 1 and 5 bar.

The drains are joined in the following points:

- in the **Wall-mounting and Straddle units (forms 1, 2 and 3)** under the condensing side on the right (**fig. 5-1**);
 - in the **Wall-mounting units (forms 4 and 5)** under the condensing side in its middle point near the wall (**fig. 5-2**);
 - in the **Ceiling units, where the water is thrown away**, on the evaporator by using the pipe that lies on the front or back side of the basin (**fig. 5-3**);
 - in the **Ceiling units with water drain evaporation basin** on the condensing side under the condensing battery (**fig. 5-4**);
 - in the **Split, Bi Block and Evaporating units** on the evaporator by using the union fixed in the lower point of the basin (**fig. 5-5**).
- The water drainpipe has to lean at least 3 cm every metre in length.
- As regards the models, where the water is thrown away, we have to underline that the draining tract in the cold room has to be as short as possible and a slope even greater than that above-mentioned has to be guaranteed: this will be useful to avoid icing up.
- On all models, which are not provided with a condensed water drain evaporation basin, a syphon has to be made on the draining tract outside the cold room (**fig. 5-6**) and furthermore, if the temperature of the installation place falls below 0°C, it is necessary to insulate the drainpipe.

N.B. An incorrect installation could cause injuries to people and damages to things for which the manufacturer cannot be considered responsible.

DESCRIPTION OF THE UNIT

The main components are indicated in the **fig. 6-A**.

Description of the controls and of the instruments on the switchboard front panel **fig. 6-B**.

6-1 - Electronic instrumentation (electronic control panel or instrument): you can find the corresponding instructions in the enclosed handbook.

6-2 - Main switch (in the units provided with an electronic control panel it lies in the keyboard): it is used to supply the auxiliary circuit.

6-3 - Cold room light switch (in the units provided with an electronic control panel it lies in the keyboard): it is used to supply the cable that is to be connected to the lamp for the cold room illumination.

COMMISSIONING

- Before actuating the main switch make sure that the unit is provided with compressor preheating system. In this case, to execute the preheating the unit is to be supplied, even though the main switch has not to be switched on so that only the compressor crankcase heater is supplied.
- Leave the machine in this condition for a few hours; the duration of this preheating phase depends on the temperature of the place where the unit is set: the higher the temperature is, the less this phase lasts (3 hours), the colder the climate is, the more the preheating-time has to last (8÷10 hours).
- At the end of the preheating, set the main switch in the “start” position or press the “ON/OFF” button of the remote control panel.

N.B. If the instrument does not start, control if the unit is provided with a voltage monitor (par. 10-3); in this case you have to wait for the counting end of this device (about 6 minutes).

USE

For a correct use, the product has always to be put in the cold room with a maximum temperature of 5°C higher than the preservation one and you have to reduce the openings of the cold room door to the minimum necessary; furthermore when you position the product in the cold room, make sure that it does not obstruct the correct flow of air through the evaporator.

The optimal working conditions are at a temperature between 15°C and 40°C and with moisture between 30 and 95%.

Utilization:

High and **Medium** temperature models:Preservation of fresh products

Low temperature models:Preservation of frozen products

- The units have to be used only for these purposes.
- Utilizations different from those above-mentioned are not allowed.
- The manufacturer disclaims all responsibility for injuries to persons or damages to things due to an inappropriate, wrong or irrational use.

CONTROLS

The devices that control the unit working are the following (**fig. 9-A**):

9-1 Electronic control instrumentation

It can be of two types: the electronic control panel (standard on the VT, SF, SV and CS models) or the instrument (for the VS, AC, SL models). The same instrumentation type is installed on the units provided with remote control panel. The main differences consist in the fact that the electronic control panel has many more functions than the instrument, furthermore has a separate keyboard from the power side and the main switch and the cold room light switch are located in its inside. Both equipment perform the functions of room thermostat and defrost control, besides many other functions described in the specific handbook enclosed with the documentation, in which the instructions for their use and programming are indicated as well.

9-2 Fan pressure switch

It is a device that is installed only on specific request (standard on the Bi Block units forms 4 and 5) and it is used as a regulator of the condensation pressure; its use is absolutely necessary when the unit is installed outdoors, where the temperature can be 0°C or even lower. The control happens as follows: the pressure switch is connected on the supply line of one of the condenser fans and it is in communication with the compressor delivery line. When the pressure on this line is higher than the programmed value of the pressure switch, the fan is set in motion in order to increase condensation, on the contrary if the pressure is lower, the fan stops to avoid an excessive condensation. The pressure switch is fixed next to the compressor, it is calibrated at 15 bar in the units with R22 refrigerant and at 18 bar in the units with R404A refrigerant. The differential is calibrated at 2,5 bar.

9-3 Condenser fan speed regulator

It is standard on the Wall-mounting models forms 4 and 5; furthermore, instead of the fan pressure switch, a condenser fan speed regulator can be installed on request: when this electronic device, which does not control directly the gas pressure coming from the compressor but the temperature of gas already condensed, is employed, the regulation of the condensing temperature is linear and no more "with steps" as it is described with regard to the fan pressure switch. Practically speaking, there is no more an ON-OFF working of the fan and the consequent variation of condensation as regards the calibration value, in this case in fact, after a brief initial period of adjustment, the fans reach a speed that allows to maintain a constant condensing temperature. The speed regulator is fixed inside the switchboard and it is calibrated in the factory; the speed regulator probe lies on the contrary in a proper housing placed on the outlet pipe of the condenser.

If, in case of a failure, it is necessary to replace the speed regulator or the corresponding probe and the spare part is not immediately available, you can anyway set the machine in motion by excluding this regulation. In order to do it, set the speed regulator bypass switch (fig. 9-3a) (it is inside the switchboard) in the position "1". After having changed the damaged part, remember to restore the original functioning.

Instructions for the regulation

- Change of the setpoint:
The setpoint is the temperature value to which corresponds an outlet voltage of 0 Volt. The setpoint can be modified by the "Set" trimmer, which has a regulation field from 0 to 60°C. It is calibrated in the factory at 35°C.
- Change of the differential:
The differential is the temperature value that, if it is added to the setpoint value, comes to the value corresponding to the highest outlet voltage (230V). It can be changed by the "Differential" trimmer, within the limit values 3 and 30°C. It is calibrated in the factory at 15°C.

N.B. The trimmers "V min" and "Cut off" have to be set at 0%.

9-4 Liquid Gas line filter

It is on the liquid gas line, just after the liquid receiver or, in the units on which there is not the receiver, on the outlet pipe of the condenser.

9-5 Liquid gas line solenoid valve

It is installed only on request (standard on the evaporator of the Bi Block units forms 4 and 5). It is installed so as to interrupt the liquid flow when the unit has to stop for the defrost or as the programmed temperature value has been reached: in this way the stop of the unit takes place when the compressor is in vacuum.

9-6 Capillary tube

It lies at the entrance of the evaporator and it allows the gas, coming from the liquid gas pipe, to reach the evaporation pressure. It is present in all units, except for the Bi Block units forms 4 and 5.

9-7 Thermostatic valve

It is installed only on request instead of the capillary tube, but it is standard on Bi Block units forms 4 and 5. Even though it performs the same function, it is undoubtedly a more sophisticated device that, unlike the capillary tube, can be regulated. The valve calibration is executed in the factory.

9-8 Liquid indicator

It is installed only on request, but it is standard on the Bi Block units forms 4 and 5. It is on the left side of the unit and it is visible from outside. The indicator has usually to be controlled when the unit is working: if you notice a persistent transit of gas bubbles, this can mean that there is a lack of gas in the system; on the contrary if the indicator is clear and you notice only some sporadic transit of bubbles, this means that the gas quantity is correct.

9-9 Suction pressure regulating valve

It is installed on some low temperature units with defrost by hot gas and up to form 3. It serves to maintain the compressor suction pressure during the defrost within acceptable values. It lies on the suction pipe, near the compressor. It is calibrated in the factory.

9-10 Switchboard heater

It is an optional accessory that is required when the unit has to be installed in a place with a very harsh climate (temperature below -10°C for long periods); it serves to maintain inside the switchboard, where it is installed, the right temperature for the correct functioning of the electric components. This device is provided with an inner temperature regulator.

9-11 Defrost solenoid valve

It is installed on all units, except the High temperature ones and all Split and Bi Block series. It opens, every time a defrost is requested. In the units up to form 3, hot gas used for the defrost passes directly through the solenoid valve. In the bigger units the solenoid valve operates the deflection valve (9-12) that controls the gas passage. The solenoid valve closes again at the end of the defrost.

9-12 Defrost deflection valve

It is on the Wall-mounting units, forms 4 and 5 except the High temperature ones and it serves to deflect the hot gas flow from the condenser to the evaporator to execute the defrost. To work it has to be controlled by a solenoid valve (9-11).

9-13 Non-return valve of the defrost line

It is installed on the Wall-mounting units, forms 4 and 5 except the High temperature ones and it lies on the pipe of the defrost line at the entrance of the evaporator. It serves to prevent the liquid formed in the evaporator from flowing back along the defrost line, at the end of the defrost.

9-14 Defrost heaters

They lie on the evaporator of all the Split and Bi Block units, except the High temperature ones, ranges and they are used to heat the evaporating battery during the defrost.

9-15 Drain heater

It is set inside the evaporator drainpipe. It is present on all medium and low temperature units. In the units with defrost by hot gas, it is controlled by the main switch (when the unit is on, the heater is always working), whereas in the Split and Bi Block units it is electrically connected with the defrost heaters. It is used to discharge the water produced during the defrost, in order to prevent the water freezing inside the drainpipe.

9-16 Crankcase heater

It is standard installed on the compressors of the Wall-mounting and Bi Block units forms 4 and 5; it is used to heat the crankcase before the starting and to keep it hot during the compressor stop.

The heat produced by the heater causes the evaporation of the eventual liquid-state refrigerant that is inside the compressor: in this way the compressor starting stress is reduced and, above all, the valve breaking is avoided, which otherwise could be a consequence of the liquid compression.

It is indispensable when the unit is installed in places with low temperature.

The heater works manually when the unit is connected with the supply line and the main switch is in position "OFF", or it starts up automatically when the unit is executing the refrigerating process.

PROTECTIONS AND SAFETIES

Description of the protection and safety devices (**fig. 10-A**):

10-1 High pressure switch

It serves to interrupt the unit working if the system pressure is too high. After it has tripped, the high pressure switch restarts automatically. The high pressure switch is fixed next to the compressor and there are two different types of it: with fixed calibration or adjustable. In any case the tripping limit has to be 24 bar in the units with R22 refrigerant and 28 bar in the units with R404A refrigerant. The differential is calibrated at 4 bar. It is standard on the three-phase units, but it can be installed on all units on request.

10-2 Low pressure switch

It trips, stopping the unit, when the pressure in the suction circuit falls below the value at which it is calibrated. Its restarting is automatic. Also this pressure switch lies next to the compressor and it can be with fixed regulation or adjustable; in both cases the tripping limit is about -0,3 bar (in the units for cold room temperature of 0°C or even higher, this limit could be slightly higher, maximum 0,1 bar). Normally the differential is 1 bar.

This pressure switch normally trips as a consequence of a failure or a working anomaly. However, if on specific request, the compressor stop in vacuum is foreseen, the pressure switch always trips in the following cases:

- stop as the programmed temperature value has been reached in the cold room,
- compressor stop during the defrost phase.

10-3 Voltage monitor

It is an electronic instrument that is installed only on specific request. It serves to interrupt the unit supply when the voltage on the line, at the beginning of the unit, is beyond the programmed limits.

These limits (maximum and minimum) can be regulated; the restarting is automatic when the normal conditions are re-established with a delay that can be programmed on the instrument as well. The monitor is installed inside the switchboard.

Instructions for the regulation (Fig. 12-1)

- Programming of the counting/and delay time:
If the dip switch (A) is on the left and the dip switches (B), (C) and (D) are on the right, the delay time will last about 6 minutes; if the dip switch (A) is put on the right, the time will be reduced to 9-10 seconds. To this time 10, 20, 30 seconds can be added, by moving respectively the dip switches (B), (C), and (D) on the left.
- Change of the voltage limits:
If the dip switches (E) and (F) are positioned on the left, the monitor will switch on, if the indicated voltage has a 12% higher or lower value than usual. It is possible to increase further the limits by 4% or 8%, moving respectively the dip switches (E) and (F) on the right.

10-4 Fan protection thermocontact

All the fans used have inside this contact that, if correctly connected, interrupts the fan supply in case of overheating of the corresponding motor winding. This device restarts automatically when the normal conditions are restored; its trip value is fixed by the manufacturer. In some fans the thermocontact is already connected inside the motor.

10-5 Fuses and automatic switches

Each of them has a specific function as indicated in the wiring diagram and in the corresponding legend provided with the unit. If some apparatuses of the unit do not work, we suggest that you should control first of all the efficiency of the fuses or of the automatic switches.

CLEANING, MAINTENANCE AND FAILURES

The maintenance has to be executed by skilled workers who have the necessary technical qualifications established by the country where the unit is installed.

Before doing any maintenance or cleaning works, insulate the unit from any source of electric energy or of waterpower.

To clean the unit, water jets have NEVER to be used.

To execute the maintenance and assistance operations, it could be necessary to remove the front panel of the unit condensing side. In accordance with the models, act as follows:

- **Wall-mounting, Straddle, Split, Bi Block, Condensing Units and Horizontal Units (form 4 and 5):** loosen and take the screws off that fix the front panel (**fig. 11-1**) (in the Wall-mounting and Bi Block units form 5 remove the screws only from the right panel), move the lower side (the upper one for the Wall-mounting and Bi Block units forms 4 and 5) of the panel from the unit for about 20 cm, but the upper side (the lower one for the Wall-mounting and Bi Block units forms 4 and 5) of the panel has to remain caught in the flange (**fig. 11-2**); loosen the fixing of the ground cable that joins the front panel from the unit inside (**fig. 11-3**), then lift and remove the panel (**fig. 11-4**). To restore the beginning conditions, repeat the operations in the opposite order.
- **Ceiling and Horizontal units forms 1, 2 and 3:** loosen and take the screws off that fix the panel (**fig. 11-5**), move the panel from the unit, so that you could enter the unit with an hand (**fig. 11-6**); loosen the fixing of the ground cable that joins the front panel from the unit inside (**fig. 11-7**), then remove the panel (**fig. 11-8**). To restore the beginning conditions, repeat the operations in the opposite order.

The maintenance concerns above all the cleaning of the air condenser: this operation has to be executed by using an air jet from the inside of the unit towards the outside or by cleaning the external side of the condenser with a long soft bristle brush (**fig. 11-9**). Normally the condenser has to be cleaned once a week; if the place where it is installed is very dusty it could be necessary to clean it more frequently, even once a day.

In case the unit is provided with a water condenser, for its cleaning it is advisable to consult a plumber or a qualified person for the use of descaling tools and materials necessary for these operations. Normally it is enough to execute this type of maintenance once a year except for particular problems due to the hydraulic net; if this happened, you should contact a plumber. The condensed water drains have to be cleaned as well, and also in this case, among the possible methods, it would be better to use a compressed air jet from the inside of the unit towards the outside. This operation has normally to be executed once a month; for high temperature cold rooms in which a very fat product is preserved, it is necessary to check more frequently the efficiency of the drains, even once a week.

It can happen that, because of an anomaly, a compact ice layer forms on the finned battery of the evaporator. After having determined the cause and repaired the failure, it is absolutely necessary to remove all the ice before setting the machine in motion again. In order to do it, it is possible to execute a manual defrost (See the manual enclosed with the instructions about the electronic instrumentation). In case one defrost is not enough, wait some minutes and then repeat the operation. If you want to speed up even more the ice melting, execute the following operations: switch off the unit through the main switch, dismantle the metal sides and the evaporator fans, melt the ice by using hot water, then install the fans and the sides again and set the unit in motion.

N.B. In order to remove the ice from the finned battery of the evaporator, you have **NEVER** to use metal or sharpened objects.

Put the maintenance rejection material in the suitable storage places, if they are polluting or not biodegradable.

Failure List:

N.B. In case of every failure concerning the electronic equipment, expect for the non-starting, first of all check that the parameters have been correctly programmed (see the instructions in the corresponding handbook).

The electronic control panel and the electronic instrument are provided with an inner alarm that signals the probe failures, the pressure switch tripping (only on the electronic control panel) and the bad programming of the parameters. These mistakes appear on the display through special codes indicated on the specific instrumentation manual.

If on the display an indication appears which is not an alarm code, a temperature indication or a signalling of particular working conditions, programmed through the parameters (e.g. "dEF" during the defrost), it means that the instrumentation is damaged and you have to replace it.

Normally this failure is due to electrical noises which prevent the working of the microprocessor that control the electronic control panel functioning. For this reason we suggest following the instructions about the positioning of the cables of the units described at chapter 4 "ELECTRIC CONNECTION".

Nr.	Failure	Causes	Remedies
1	Units supplied with electronic control panel) After having connected the supply cable and pushed the (ON-OFF) button, the electronic control panel does not start.	Voltage lack or incorrect voltage on the supply line.	Control if the supply voltage corresponds with that indicated on the label of the unit.
		The voltage monitor is executing the counting (See chapter 7 - COMMISSIONING).	Wait about 10 minutes. If after this interval, the conditions have not changed, control if the voltage has the correct value and if the monitor fuses are efficient; if the fuses are blown, replace them.
		The electronic control panel is supplied correctly, but it does not start.	The connection between the electronic control panel and the keyboard is interrupted: restore the connection. The electronic control panel is broken: it is necessary to replace it.
2	(Units provided with instrument) After having connected the supply cable and pushed the main switch, the lamp lying on the switch and the instrument do not switch on.	Voltage lack or incorrect voltage on the supply line.	Control if the supply voltage corresponds with that indicated on the label of the unit.
		The main switch is broken.	Replace the switch.
3	(Units provided with instrument) After having pushed the main switch, the lamp lying on the switch switches on, but the electronic instrument remains off.	Voltage lack or incorrect voltage on the supply line.	Control if the supply voltage corresponds with that indicated on the label of the unit.
		The fuse of the auxiliary circuit is blown.	Replace the fuse.
		The voltage monitor is executing the counting (See chapter 7 - COMMISSIONING).	Wait about 10 minutes. If after this interval, the conditions have not changed, control if the voltage has the correct value and if the monitor fuses are efficient; if the fuses are blown, replace them.
		The electronic instrument transformer is broken.	Replace the transformer.
		The electronic instrument is broken.	Replace the instrument.

4	The electronic control panel starts, the compressor led blinks and the compressor does not start.	Compressor protection counting: wait any minutes, then the compressor should start again.	Units supplied with electronic control panel) If, after any minutes, this situation persists, check the connection of the door micro switch cable or the efficiency of the door micro switch. Make sure that the cold room door is well closed as well.
5	Units supplied with electronic control panel) The alarm led is on and the unit is not working with any indication.	Pressure switch tripping.	If even after the restoring of the normal conditions the unit does not start, check the efficiency of the pressure switch. As concerns the units provided with low pressure switch, check if gas comes out from the unit, if that is the case find the leak and repair the failure.
6	The compressor does not start, even though the corresponding led is on.	(Wall-mounting and Bi Block units forms 4 and 5) The compressor fuses are blown.	Change the fuses, checking if the cause can be due to an electric failure regarding the compressor motor.
		(Units provided with instrument) Pressure switch tripping.	Pressure switch tripping.
		The electric components of the compressor supply are damaged (only regarding the monophase compressors).	Check the efficiency of the relays, the condensers and the clixon and, in case they are damaged, change them.
		Tripping of the compressor inner protection.	(Wall-mounting and Bi Block units forms 4 and 5) Check the efficiency of all the compressor fuses and, if blown, replace them.
			Control the supply line, i.e. check if the voltage is correct, if the contacts of the compressor contactor are efficient and if the electric components of the monophase compressor are in good condition. In case some anomalies are found out, restore the optimum working conditions.
			Check that the condenser fans (besides the eventual control pressure switch or speed regulator) are working well. If they are broken, change them.
			Check that the condenser is perfectly clean, should that not be the case, clean it following the instructions of the paragraph "MAINTENANCE".
			Make sure that gas does not come out from the unit; if there is a gas leak, find it and repair the failure.

7	Pressing the cold room light switch the relative lamp lights up, but the cold room light remains off.	The supply circuit fuse of the cold room light is blown.	Replace the fuse after having checked that the load connected to the relative cable has an absorption lower than 200 W.
		The lamp inside the cold room has blown.	Change the lamp.
8	The unit is working, but the door heater does not function. (Only on the low temperature units)	The supply circuit fuse of the door heater is blown.	Replace the fuse after having checked that the load connected to the relative cable has an absorption lower than 200 W.
		The heater is broken.	Change the heater.
9	The requested temperature cannot be reached in spite of the uninterrupted working of the unit.	The gas quantity is insufficient.	Execute the gas filling up by joining the manometers, to control the charge. Control if there are leaks, and in that case repair them.
		Gas passage in both ways of the deflection valve (Wall-mounting units forms 4 and 5).	It is possible to try to repair the valve, even if it is better to change it.
		The pressure regulating valve is blocked (low temperature units).	Try to calibrate the valve again, even if probably it is to be replaced.
		Insufficient condensation.	Clean the condenser. If this is not sufficient, check that the correct working conditions of the unit have been respected.
		The correct working or installation instructions have not been respected for the following reasons: <ul style="list-style-type: none"> The product has been introduced in the cold room at too high a temperature. In the cold room there are other sources of heat (e.g. floor drain mouths, etc.). The cold room door is opened too frequently and for too long a period. The goods have been placed too near to the evaporator, and as a consequence they obstruct the correct flow of the air. 	Restore the optimal working conditions.
10	The evaporator frosts too much, irregularly or only in some points.	The gas quantity is insufficient.	Execute the gas filling up by joining the manometers, to control the charge. Control if there are leaks, and in that case repair them.
		The air circulation on the evaporator is incorrect.	Check the efficiency of the evaporator fans and, if broken, change them.
			Make sure that there is anything obstructing, even partially, the air flow at the exit as well as at the entrance of the evaporator, if there are obstacles, it is indispensable to remove them.
(Bi Block units forms 4 and 5) Incorrect regulation of the thermostatic valve.	Modify the regulation of the thermostatic valve till obtaining a correct frosting.		

11	On the evaporator there is ice also at the end of the defrost.	The unit is used in conditions slightly different from the optimal ones (still acceptable).	Modify the calibration of the parameters regarding the defrost in order to increase the frequency of the cycles and the value of the defrost termination thermostat.
		If the ice left is very much, it is possible that the unit does not execute the defrost correctly.	According to the type of the unit, check the efficiency of the solenoid valve, of the heaters or of the deflection valve, i.e. the devices concerning the defrost. If a part is damaged, it is to be replaced.
12	Ice forms round the evaporator fans.	Hot air comes in through the condensed water drain.	Check that a syphon has been made on the tract of the drain outside the cold room.
		During the defrost condensed water forms near and on the fans.	Reduce the defrost termination temperature and prolong the dripping time.
13	Ice forms on the cold room ceiling in front of the evaporator.	Too much steam forms during the defrost and at the end of it the fans restart too soon.	Reduce the defrost termination temperature and prolong the tripping delay time of the fans at the end of the defrost.
14	Under the evaporator basin there are drippings or ice has formed.	The drainpipe has been clogged by ice as its internal heater is not working.	Check the supply circuit of the heater. Replace the heater if it is broken.
		The drainpipe is clogged.	Clean the drainpipe (see "Maintenance").
		The rings that connect the drainpipes have loosened.	Restore the hydraulic connections.
		The basin has been deformed because of a knock (e.g. during the installation).	If the deformation is slight, you can try to remodel it; should that not be the case change the basin.

** If any failures in the unit working are found, make sure that these are not due to the missed ordinary maintenance. Should that not be the case, ask for the intervention of an authorized assistance centre of ours. In case you have to replace some parts, ask a distributor or an authorized reseller for ORIGINAL spare parts. The spare part list is in the specific catalogue "Spare parts-Price list" that has to be expressly requested to the distributor.*

** Every six months the unit has to be controlled by an authorized assistance centre.*

** The unit has not to be left unattended during the scrapping phase, because of the presence of toxic noxious materials (refrigerant) subject to regulations that prescribe the discharge by suitable centres.*

De gegevens van de fabrikant zijn vermeld op het identificatielabel van de unit, dat zich aan de rechterkant van de condensorunit bevindt.

De documentatie van de unit bestaat uit:

- Instructiehandleiding;
- Instrumentatieboek;
- Aansluitschema en bijhorende legenda;
- Koelsysteemdiagram en bijhorende legenda;

Lees de handleiding aandachtig en volg nauwgezet de instructies in de handleiding voor een correct gebruik van de koelmachines. De fabrikant wijst alle verantwoordelijkheid af voor persoonlijk letsel of schade die ontstaat door het niet naleven van de instructies in deze handleiding.

Deze handleiding dient met zorg te worden bewaard voor eventuele andere verwijzingen.

Het is verboden deze handleiding geheel of gedeeltelijk te vermenigvuldigen zonder schriftelijke toestemming van de fabrikant.

De fabrikant behoudt zich het recht voor te allen tijde de nodige wijzigingen aan te brengen.

De handleiding is onderverdeeld in de volgende onderwerpen:

- ALGEMENE AANWIJZINGEN
- INSTALLATIE
- KOELAANSLUITING
- ELEKTRISCHE AANSLUITING
- HYDRAULISCHE AANSLUITING
- BESCHRIJVING VAN DE UNIT
- INGEBRUIKNAME
- GEBRUIK
- BESTURINGEN
- BESCHERMINGS- EN VEILIGHEIDSINRICHTINGEN
- REINIGING, ONDERHOUD EN STORINGEN





Technische specificaties		
	Lagedrukzijde (LP)	Hogedrukzijde (HP)
PS	16,5 bar	29,5 bar
TS	-40°C / +50°C	-25°C / +65°C

ALGEMENE AANWIJZINGEN

- De vervaardiging van de koelmachine gebeurt volgens de voorschriften 73/23/EEG (laagspanning), 89/336/EEG (elektromagnetische compatibiliteit) en de daaropvolgende wijzigingen.
- Lees de labels op de unit aandachtig, dek ze om geen enkele reden af en vervang ze onmiddellijk als ze beschadigd zijn.
- Bewaar geen ontvlambare materialen in de buurt van de unit.
- Verwijder geen beschermingen en panelen die met gereedschap moeten worden verwijderd.
- Gebruik de unit niet in een explosieve omgeving.
- Reinig de unit niet met een directe waterstraal of een waterstraal onder druk, of met schadelijke stoffen.
- Plaats geen vloeistofreservoirs op de unit.
- Plaats de unit uit de buurt van warmte- en vochtbronnen.
- Let op dat u de voedingskabel niet beschadigt door deze te buigen, plat te drukken of te belasten.
- Gebruik de unit niet als de voedingskabel beschadigd is.
- De unit veroorzaakt geen schadelijke trillingen; ze zijn in ieder geval lager dan 2,5 m/s² voor de bovenste ledematen en 0,5 m/s² voor de andere lichaamsdelen. Onder normale omstandigheden veroorzaakt het toestel geen schadelijke trillingen in de omgeving. De grootste trillingen worden veroorzaakt door de compressor; daarom zijn alle compressoren die op onze toestellen zijn geïnstalleerd voorzien van schokdempende voetjes (silentblock of andere soortgelijke methoden) en zijn ze via flexibele leidingen verbonden met het koelcircuit.
- Schakel de aftapkraan niet uit terwijl het toestel in werking is.
- Besteed aandacht aan kinderen en andere mensen in de werkomgeving.
- Gebruik in geval van brand een droog chemisch brandblusapparaat.
- Als er tijdens de werkzaamheden onverwachte problemen opduiken, maak onmiddellijk gebruik van de hoofdschakelaar die zich op het schakelbord van de unit bevindt.

Brenq de unit naar de werkplek; controleer of alle details van de installatie zijn aangebracht, d.w.z. de elektrische voeding, openingen in de muren voor de units of voor de afvoerleidingen en de eventuele aansluitingen voor de watertoevoerleiding.

Het identificatielabel van de unit bevindt zich aan de rechterkant van de condensorunit, in de boven linkerhoek.

Serial N. ??????????		Model ????????????????	
Voltage	Refrigerant	kg.	
???????????????	??????????	??????	
Compressor	?????????????????	Model	???????????????
Ps	??????????????	TS	????????????????
 ??????????	  ???????	 ??????????	

INSTALLATIE

De installatie moet worden uitgevoerd door vakmensen die over de vereiste technische kwalificaties beschikken die zijn vastgesteld door het land waar de unit is geïnstalleerd.

Ga bij de installatie te werk aan de hand van de tekeningen van de bevestigingsschema's (zie schema's a-z2) en onderstaande beschrijvingen:

- **Wandbevestigingsunits:** Breng de unit met behulp van de vorkheftruck in overeenstemming met de installatieopening en breng het vervolgens op de bestemde plaats in; wanneer de unit zich in de definitieve positie bevindt, maakt u openingen die overeenkomen met de bevestigingssteunen (**fig. 2-1**) en voltooit u de positionering met behulp van de bijgeleverde schroeven (**fig. 2-2**). Wat betreft de unitsvormen 4 en 5, na het maken van openingen voor de bevestiging (**fig. 2-3**) moet u bouten, moeren, sluitringen en steunplaten die samen met het toestel zijn geleverd (**fig. 2-4**), monteren. Injecteer polyurethaan of ander isolatiemateriaal in de spleten tussen de omtrek van de opening in de wand van de koelruimte en het isolatiepaneel van de unit.
- **Straddle units:** Zorg dat het plafond van de koelruimte niet is gemonteerd. Breng de unit vervolgens in overeenstemming met de installatieopeningen en breng het op de bestemde plaats in. Wanneer de unit zich in de definitieve positie bevindt, installeert u het plafond van de koelruimte, maakt u openingen die overeenkomen met de bevestigingssteunen (**fig. 2-1**) en gebruikt u de bijgeleverde schroeven (**fig. 2-2**). Schroef de afstandsringen die aan de verdampingszijde liggen los met behulp van de moer totdat de basis op de wand van de koelruimte leunt (**fig. 2-5**); schroef de moer weer vast tot de verdamper waterpas staat (**fig. 2-6**). Verbind de afvoerbuï door de opening in de wand van de koelruimte en breng hem vervolgens aan in de plastic verbinding die aan de condenserende kant naar achteren ligt (**fig. 2-7**). Injecteer polyurethaan of ander isolatiemateriaal in de spleten links rond de verdampersteunen.
- **Plafondunits:** Gebruik een vorkheftruck en breng de unit in de buurt van de opening in het plafond van de koelruimte en plaats het vervolgens op de bestemde plaats. Verwijder de hijskabel en bewaar deze voor eventueel toekomstig gebruik. Injecteer polyurethaan of ander isolatiemateriaal in de spleten tussen de omtrek van de opening in het plafond van de koelruimte en de isolatieplaat van het toestel.
- **Split en Bi Block units:** Plaats de verdamperunit in de definitieve positie met behulp van de vorkheftruck, maak openingen in het plafond die overeenkomen met de openingen die al aanwezig zijn op de draagbalken van de unit (**fig. 2-8**). Bevestig de verdamper op de juiste manier aan de wand: draadstangen zoals voorzien (**fig. 2-9**), of inzetstukken of iets anders afhankelijk van de structuur van het plafond van de koelruimte. Injecteer isolatiemateriaal rond de openingen in het plafond. Aan de wand, waar de condensorunit van de unitvormen 1, 2, 3 moet worden gemonteerd, bevestigt u de bijgeleverde inzetstukken met haak (zie het bevestigingsschema voor afmetingen). Breng de condensorunit op zijn definitieve plaats en hang deze aan de haken die net vastzitten, zodat hij perfect in de openingen aan de achterkant van de condensor vasthangt (**fig. 2-10**). De condensorunit vormen 4 en 5 moeten worden bevestigd zoals wordt gedaan bij de wandbevestigingsunit van dezelfde vorm (**figuren 2-3 en 2-4**). De horizontale condensorunit hoeft niet te worden bevestigd.
- **Condensorunits:** Zie de beschrijving van de installatie van de condensorunits van de Split-modellen.

N.B. Voor een optimaal gebruik van de condensorunit wordt geadviseerd de condensor aan te sluiten op een verdamperunit en de verdeler om de juiste uitvoering te vragen. Indien een verdamper van een ander merk of model wordt geïnstalleerd, moet de installateur controleren of de technische kenmerken in overeenstemming zijn met de voorziene afmetingen van de condensor door de fabrikant; indien dit niet het geval is, kunnen de noodzakelijke wijzigingen pas na overleg met de fabrikant worden uitgevoerd.

- **Verdamperunits:** Zie de beschrijving van de installatie van de verdamperunits van de Split-modellen.

N.B. Voor een optimaal gebruik van de verdamperunit wordt geadviseerd de verdamper aan te sluiten op een condensorunit en de verdeler om de juiste uitvoering te vragen. Indien een condensor van een ander merk of model wordt geïnstalleerd, moet de installateur controleren of de technische kenmerken in overeenstemming zijn met de voorziene afmetingen van de verdamper door de fabrikant; indien dit niet het geval is, kunnen de noodzakelijke wijzigingen pas na overleg met de fabrikant worden uitgevoerd.

Als de unit binnen in een koelruimte wordt geïnstalleerd, moet u ervoor zorgen dat de ruimte goed wordt geventileerd.

N.B. Zorg ervoor dat de wand en het plafond waaraan de unit bevestigd moet worden het gewicht kunnen dragen dat in de betreffende tabel (**tab. 1**) staat aangegeven.

N.B. Vergeet niet dat wanneer u de unit moet verplaatsen, u het moet optillen en nooit mag duwen of verslepen.

- **Lamphouder van de verlichting in de koelruimte:** Open de lamphouder door de schroeven los te draaien (**fig. 2-11**), maak openingen in de aangegeven punten (**fig. 2-12**), bevestig vervolgens met de bijgeleverde schroeven of een ander geschikt systeem de onderkant van de lamphouder aan de wand van de koelruimte (**fig. 2-13**) en dicht genoeg bij de unit (maximale afstand 1,5 m), zodat het niet nodig is om de bijbehorende kabel te verlengen. Na het aansluiten van de kabel (zie paragraaf "ELEKTRISCHE AANSLUITING"), schroef de lamp vast en sluit de lamphouder opnieuw.
- **Afstandsbedieningspaneel:** Open het bord door de schroeven in de hoeken of op de flanken aan de voorkant los te draaien (**fig. 2-14**). Bij sommige modellen van het afstandbedieningspaneel moeten openingen worden gemaakt in de kleine ronde holle ruimtes die zich op de onderkant van de doos bij de hoeken bevinden (**fig. 2-15**) en waarvan het midden samenvalt met het midden van de lagervoeten op de achterkant. Bevestig het paneel op de juiste manier (zelftappende schroeven, inzetstukken, enz.) met behulp van de aanwezige of zojuist gemaakte openingen (**fig. 2-16**); bij sommige modellen zijn afdekkappen voorzien om de bevestigingsholtes te sluiten (**fig. 2-17**). Maak de eventuele elektrische aansluitingen (zie paragraaf "ELEKTRISCHE AANSLUITING") en sluit het paneel weer.

KOELAANSLUITING

De koelaansluiting moet worden uitgevoerd door vakmensen die over de vereiste technische kwalificaties beschikken die zijn vastgesteld door het land waar de unit is geïnstalleerd.

Om deze verbinding, die bij de modellen Split en Bi Block noodzakelijk is, uit te voeren, moet u de leidingen gebruiken die bij de units zijn geleverd of die in de betreffende tabel (**tab. 2**) worden voorgesteld.

Gewoonlijk wordt de leidinginstallatie eerst gepositioneerd en vervolgens worden de verbindingen met victaulic koppelingen aangesloten.

Let er bij het plaatsen van de aanzuigleiding op dat deze licht naar de compressor toe moet leunen (**fig. 3-1**). In het geval van opgaande kanalen, is het noodzakelijk om een of meer sifons (**fig. 3-2**) te maken voor het verticale luchtkanaal zodat de terugkeer van de olie naar de compressor gemakkelijker is; het is zeer belangrijk dat de sifons geen al te markante krommingen hebben, vooral wanneer de doorsnede van de pijp zeer groot is (**fig. 3-3**). Bij de vloeistofdoorvoerpipj hoeft u zich niet aan bepaalde regels te houden, behalve aan de schoonheid en de functionaliteit; daarom wordt deze pijp normaal gesproken naast de aanzuigpijp gelegd, zeker zonder sifons te maken (**fig. 3-3**). Beide leidingen moeten bij de bochten en op de rechte buizen om de 1,5 - 2 meter aan de wand worden bevestigd (**fig. 3-4**).

Na afloop van de leidingpositionering moeten de verbindingen worden aangesloten. Let er daarbij op dat de verbindingsleiding perfect loodrecht staat op het oppervlak waarop de vaste verbinding is bevestigd; in ieder geval moet voor het vastdraaien van de verbinding worden gecontroleerd of de schroefdraad correct is ingebracht. Indien de verbinding een te lassen flens is, verwijdert u het beweegbare deel van de verbinding en last u dit vervolgens met de leiding. Bevestig de twee verbindingsdelen weer door de afdichting ertussen te plaatsen. Bij de modellen Bi Block moet u, wanneer de leidingaansluiting is voltooid, het vacuüm in deze modellen en in de verdamper creëren (de groep compressor- condensator- vloeistofontvangers staat al onder gasdruk); daarna kunnen de uitlaatkleppen van de vloeistofontvanger en de afzuigkleppen van de compressor worden ingeschakeld, waardoor het hele systeem onder druk komt te staan. Als de unit al in werking is gesteld, controleer dan of het nodig is om het systeem met gas of olie te vullen.

ELEKTRISCHE AANSLUITING

De elektrische aansluiting moet worden uitgevoerd door vakmensen die over de vereiste technische kwalificaties beschikken die zijn vastgesteld door het land waar de unit is geïnstalleerd.

Controleer of de spanning op de leiding overeenkomt met de spanning die staat aangegeven op het label dat op de voedingskabel van de unit is bevestigd. De voedingskabel moet goed ontvouwen zijn (niet oprollen of omrollen), op een plaats die niet is blootgesteld aan mogelijke stoten of knoeien door minderjarigen en die niet in de buurt van vloeistof-, water- en warmtebronnen liggen.

Gebruik voedingskabels van het type en doorsnede die door de fabrikant wordt voorgesteld, zoals aangegeven in de betreffende tabel (**tabel 3**). Bij vervanging van de voedingskabel moet erop worden gelet dat de bescherming tegen het binnendringen van water in acht is genomen.

Het elektriciteitsnet moet voorzien zijn van een aardlekschakelaar of van een algemene automatische schakelaar met een efficiënt vloerstopcontact. Als er geen elektrische veiligheid is, moet een omni-polaire schakelaar worden geïnstalleerd door vakmensen volgens de geldende veiligheidsvoorschriften, met een openingsafstand van de contacten gelijk aan of groter dan 3 mm. De fabrikant wijst alle verantwoordelijkheid af als deze voorschriften ter voorkoming van ongevallen niet in acht worden genomen.

Bij de Split-modellen moet de condensorunit worden aangesloten op de verdamper: de te gebruiken kabel, waarvan de kenmerken in de betreffende tabel (**tab. 3**) zijn aangegeven, is de kabel die aan de linkerkant van de condensorunit uitkomt.

Bij de Bi Block-modellen moet de condensorunit worden aangesloten op de verdamper: de te gebruiken kabel (niet meegeleverd) is aangegeven in de betreffende tabel (**tab. 3**).

De aansluiting van de verdamper van de Split-units moet als volgt worden uitgevoerd:

Verwijder de schroeven aan de voorzijde van de bassin (**fig. 4-1**) zodat de schroeven aan de achterzijde als draaipunt kunnen fungeren en daardoor het deel waaraan de ventilatoren zijn bevestigd kan openen (**fig. 4-2**). Verwijder het deksel van de aansluitkast (**fig. 4-3**), laat de kabels zowel door de kabelwartels op de flank als door de kabelwartels op de aansluitkast (**fig. 4-4**) lopen. Voer vervolgens de aansluiting uit met inachtneming van de nummering die op de draden en op de labels van de aansluitingenkaart is aangegeven. Draai de kabelwartels vast om de kabels in de verdamper goed aan te spannen, sluit de aansluitkast weer en sluit ten slotte het frame van de verdamper met behulp van de eerder verwijderde schroeven.

De aansluiting van de verdamper van de horizontale Bi Block-units vormen 1, 2, 3a moet uitgevoerd worden volgens dezelfde instructies van de aansluiting van de verdamper van de Split-units.

Sluit na het aansluiten van de verdamper de condensor als volgt aan:

Verwijder het voorpaneel van het toestel (**fig. 4-14**). Open het schakelbord. Laat de kabels zowel door de kabelwartels die zich op de rechterflank van de condensorunit bevinden als door de kabelwartels die zich op de rechterflank van het schakelbord bevinden (**fig. 4-15**) lopen; voer vervolgens de aansluiting uit met inachtneming van de nummering die op de aansluitingenkaart is aangegeven. Sluit het schakelbord en monteer het frontpaneel opnieuw.

De aansluiting van de verdamper van de Bi Block-units en Horizontale Bi Block-units vormen 3b, 4, 5 moet als volgt worden uitgevoerd:

Verwijder de rechterkant van de verdamper (**fig. 4-5**) en open de elektrische aansluitkast (Als er meer dan één kast is, is de aansluitdoos altijd de laagste). Open het schakelbord van de condensorunit (bij de units vormen 6 moet u het paneel onderaan de linkerkant van de unit openen en vervolgens de plastic kasten). Steek de kabels in de beschermingsleidingen (**fig. 4-6**) en voer vervolgens de aansluiting uit volgens de nummering op de aansluitingenkaart van het schakelbord van de condensorunit en van de aansluitkast van de verdamper, zoals aangegeven in het aansluitschema.

Lichtkabel in de koelruimte (aanwezig op alle units behalve de Split, Bi Block en Condensorunits): moet met inachtneming van de polariteiten worden verbonden met de meegeleverde lamphouder die al geplaatst zou moeten zijn (zie paragraaf "INSTALLATIE"). Plaats de bijgeleverde lamp in de lamphouder; gebruik bij vervanging van de lamp een gloeilamp met een maximaal vermogen van 60 W. Op de kabel kan een piekbelasting van 200 W worden aangesloten.

N.B. De kabel ontvangt spanning van het schakelbord van de unit: sluit deze niet aan op een externe voeding.

Deurverwarmingskabel (alleen bij de lage temperatuur units): is voorbereid voor de toevoer van de antivriesverwarmer die zich normaal gesproken in de afdichting van de deur bevindt wat betreft de koelruimten die bij lage temperatuur werken. Hiermee kan ook de eventuele compensatieklep worden voorzien die met de unit is meegeleverd: het belangrijkste is dat de piekbelasting die de kabel kan dragen gelijk is aan 200 W en dat deze niet wordt overschreden. Om de verbinding tot stand te brengen is het noodzakelijk om de polariteiten te respecteren.

N.B. De kabel ontvangt spanning van het schakelbord van de unit: sluit deze niet aan op een externe voeding.

Microschakelaarkabel deur (alleen bij de units met elektronisch bedieningspaneel): is geschikt voor de aansluiting van een eventuele microschakelaar die de gebruiker op de deur van de koelruimte moet installeren. Tijdens de aansluiting is het mogelijk om dingen zo te laten werken dat het elektronische bedieningspaneel bij het openen van de deur van de koelruimte automatisch de verlichting inschakelt en de ventilatoren of de hele unit stopt. Het is ook mogelijk deze functies te selecteren door de parameters van het elektronische bedieningspaneel te programmeren. De twee polen van de kabel moeten worden aangesloten op het microschakelaarcontact dat gesloten is wanneer de deur gesloten is. Als er geen microschakelaar is aangesloten, moeten de twee draden zoals geleverd met elkaar verbonden blijven. Bij de Split- en Bi Block-units komt er geen kabel uit de unit, maar is het elektronische bedieningspaneel wel geschikt voor de aansluiting.


N.B. De kabel ontvangt spanning van het schakelbord van de unit: sluit deze niet aan op een externe voeding.


- **Condensorunits:** Op de aansluitingenkaart aan de achterzijde van het elektrische schakelbord bestaat de mogelijkheid om een thermostaat (of een ander instrument) te installeren die de werking van de unit regelt; voer deze aansluiting als volgt uit:

Verwijder de bevestigingsschroeven van de voorkant (**fig. 4-7**), verwijder de voorkant nadat u de aardedraad hebt losgekoppeld (**fig. 4-8**), verwijder de bevestigingsschroeven van het elektrische schakelbord (**fig. 4-9**) en verwijder de schroeven van het schakelbord (**fig. 4-10**), plaats het schakelbord voorzichtig op zijn voorkant om de bescherming aan de achterkant (**fig. 4-11**) te bereiken, verwijder de schroeven die de bescherming bevestigen (**fig. 4-12**), verwijder de plastic bescherming en verwijder de brug tussen de contacten gemarkeerd met de letters "ne" (**fig. 4-13**) en in plaats daarvan sluit u het thermostaatcontact aan. Herhaal alle handelingen in de tegenovergestelde volgorde tot de begincondities zijn hersteld. Bij sommige modellen, vooral de Horizontale condensorunit, bevindt de aansluitingenkaart zich in het elektrische schakelbord.

- **Verdamperunits:** Zie de beschrijving van de aansluiting van de verdamper van de Split-modellen. De aansluiting van de voedingskabel van de unit moet gebeuren met inachtneming van de kleur van de draden. Als de voeding voorziet in het afstandbedieningspaneel, wordt dit geleverd met de kabel en is deze reeds aangesloten. Als het bedieningspaneel bij niet-standaardvoeding niet is aangesloten, moeten de aansluitingen volgens het aansluitschema en de nummering van de contacten en draden worden uitgevoerd.

N.B. Om de schade door elektrische ruis te beperken, raden wij u aan de kabel van de koelruimte, de afstandsbedieningspaneelkabel en de sondekabel zo ver mogelijk van kabels met een hoog vermogen af te sluiten; voorkom in ieder geval dat de bovengenoemde kabels de vermogenskabels doorkruisen. Als het apparaat wordt gevoed door een stroomgenerator, zorg er dan voor dat het signaal perfect sinusoidaal is: een blokgolf kan geluiden veroorzaken die het elektronische instrument kunnen beschadigen.

Bij elke aansluiting van een verdamper of afstandsbedieningspaneel moet een aardaansluiting worden uitgevoerd; hiervoor bevindt zich in de buurt van de aansluitingenkaart een schroef of een contact met het symbool  waarmee de aardkabel moet worden verbonden.

De aardaansluiting van de unit is verplicht. Bovendien moet de unit in een equipotentiaalsysteem worden opgenomen. De aansluiting gebeurt via een met het symbool  gemarkeerde aansluiting aan de ingang van de in het apparaat aanwezige inductiekabel.

HYDRAULISCHE AANSLUITING

Deze paragraaf heeft betrekking op de aansluiting van de watercondensoren (alleen voor de units die daarmee zijn geleverd) en van de condenswaterafvoeren. Voor de aansluiting van de condensoren moeten leidingen met een diameter van 3/8" (behalve bij de wandbevestigingsunits vormen 4 en 5, waarbij de leidingdiameter 5/8" is) in de morseconus worden gestoken met inachtneming van de inlaat- en uitlaataanduidingen. Deze moresconussen moeten stevig worden vastgeschroefd om te voorkomen dat er water in kan komen.

Plaats de aftapkraan van de watertoevoerleiding binnen het bereik van de gebruiker.

Controleer ter verbetering van de efficiëntie en de werking van het apparaat of:

- de watertemperatuur tussen 20 en 30°C ligt voor de units met condensatie door torenwater en tussen 5 en 20°C voor de units met condensatie door bronwater;
 - de waterdruk tussen 1 en 5 bar ligt.
 - De afvoerkanalen worden in de volgende punten met elkaar verbonden:
 - bij de Wandbevestigings- en Straddle units (**vormen 1, 2 en 3**) onder de rechterkant van de condenserende zijde (**fig. 5-1**);
 - bij de Wandbevestigingsunits (**vormen 4 en 5**) onder de condenserende zijde in het middelpunt bij de wand (**fig. 5-2**);
 - bij de Plafondunits, waar het water wordt weggegooid, op de verdamper door gebruik te maken van de leiding die aan de voor- of achterzijde van het bassin ligt (**fig. 5-3**);
 - bij de Plafondunits met waterafvoer verdampbassin aan de condenserende zijde onder de condenserende batterij (**fig. 5-4**);
 - bij de Split-, Bi Block- en Verdampereunits op de verdamper door gebruik te maken van de eenheid die in het onderste punt van het bassin is bevestigd (**fig. 5-5**).
- De waterafvoerbuis moet ten minste 3 cm per meter leunen.
- Voor wat betreft de modellen waar het water wordt weggegooid, moeten we benadrukken dat het afvoerkanaal in de koelruimte zo kort mogelijk moet zijn en een helling die nog groter is dan hierboven vermeld, moet worden gegarandeerd: dit is nuttig om ijsvorming te voorkomen.
- Bij alle modellen die niet voorzien zijn van een condenswaterafvoer verdampbassin, moet buiten de koelruimte een sifon op het afvoerkanaal worden aangebracht (**fig. 5-6**) en bovendien moet de afvoerpijp geïsoleerd worden als de temperatuur van de installatieplaats onder 0 °C zakt.

N.B. Een verkeerde installatie kan leiden tot persoonlijk letsel en schade aan zaken waarvoor de fabrikant niet aansprakelijk kan worden gesteld.

BESCHRIJVING VAN DE UNIT

De belangrijkste componenten zijn aangegeven in **fig. 6-A**.

Beschrijving van de bedieningselementen en van de instrumenten op het schakelbord aan de voorzijde, **fig. 6-B**.

6-1 - Elektronische instrumenten (elektronisch bedieningspaneel of instrument): u vindt de bijbehorende instructies in het meegeleverde handboek.

6-2 - Hoofdschakelaar (in de units die van een elektronisch bedieningspaneel zijn voorzien, bevindt deze zich in het toetsenbord): deze wordt gebruikt om het hulpcircuit van stroom te voorzien.

6-3 - Lichtschakelaar in koelruimte (in de units die zijn voorzien van een elektronisch bedieningspaneel, bevindt deze zich in het toetsenbord): deze wordt gebruikt om de kabel die moet worden aangesloten op de lamp om de koelruimte van verlichting te voorzien.

INGEBRUIKNAME

- Voordat u de hoofdschakelaar bedient, dient u zich ervan te vergewissen dat het apparaat is voorzien van een compressor voorverwarmingssysteem. In dit geval moet de hoofdschakelaar niet worden ingeschakeld voor de voorverwarming van de unit zodat alleen de compressor carterverwarming in werking wordt gesteld.
- Laat de machine enkele uren in deze toestand; de duur van deze voorverwarmingfase hangt af van de temperatuur van de plaats waar de unit is geplaatst: hoe hoger de temperatuur, hoe minder deze fase duurt (3 uur), hoe kouder de temperatuur, hoe langer de voorverwarmtijd moet duren (8÷10 uur).
- Zet de hoofdschakelaar aan het einde van de voorverwarming in de "start"-stand of druk op de "AAN/UIT"-knop op het bedieningspaneel.

N.B. Als het instrument niet start, controleer dan of de unit is voorzien van een spanningsmonitor (par. 10-3); in dit geval moet u wachten tot het einde van het tellen van de unit (ongeveer 6 minuten).

GEBRUIK

Voor een correct gebruik moet het product altijd in de koelruimte worden geplaatst met een maximumtemperatuur van 5°C hoger dan de conserveringstemperatuur en moet u het openen van de deur van de koelruimte tot het noodzakelijke minimum beperken; bovendien moet u er bij het plaatsen van het product in de koelruimte op letten dat het de juiste luchtstroom door de verdamper niet belemmert.

De optimale werkomstandigheden zijn bij een temperatuur tussen de 15°C en 40°C en met een vochtgehalte tussen de 30 en 95%.

Gebruik:

Modellen met **hoge** en **gemiddelde** temperatuur: Bewaring van verse producten

Modellen met **lage** temperatuur: Bewaring van diepvriesproducten

- De units mogen alleen voor deze doeleinden worden gebruikt.
- Gebruik dat afwijkt van het bovenstaande is niet toegestaan.
- De fabrikant wijst alle verantwoordelijkheid af voor persoonlijk letsel of schade aan zaken als gevolg van onjuist, verkeerd of irrationeel gebruik.

BESTURINGEN

De volgende apparaten besturen de werking van de unit (**fig. 9-A**):

9-1 Elektronische besturingsapparatuur

Er zijn twee typen: het elektronische bedieningspaneel (standaard bij de modellen VT, SF, SV en CS) en instrument (bij de modellen VS, AC en SL). Hetzelfde type apparatuur is geïnstalleerd op de units die zijn voorzien van een afstandbedieningspaneel. De belangrijkste verschillen zijn het feit dat het elektronische bedieningspaneel veel meer functies heeft dan het instrument, bovendien heeft het een apart toetsenbord aan de aan/uit-zijde en de hoofdschakelaar en de lichtschaakelaar van de koelruimte bevinden zich aan de binnenkant. Beide apparaten vervullen de functies van ruimtethermostaat en ontdooiingregelaar, naast vele andere functies die worden beschreven in het specifieke handboek dat bij de documentatie is ingesloten, waarin ook de instructies voor het gebruik en de programmering zijn opgenomen.

9-2 Ventilatordrukshakelaar

Het is een apparaat dat alleen op specifiek verzoek wordt geïnstalleerd (standaard op de Bi Block-units vormen 4 en 5) en wordt gebruikt als een regelaar van de condensatiedruk; het gebruik ervan is absoluut noodzakelijk wanneer het apparaat buiten wordt geïnstalleerd, waar de temperatuur 0°C of zelfs lager kan zijn. De regeling gebeurt als volgt: de drukschakelaar is aangesloten op de voedingsleiding van een van de condensorventilatoren en communiceert met de compressorleiding. Als de druk op deze leiding hoger is dan de geprogrammeerde waarde van de drukschakelaar, wordt de ventilator in beweging gezet om de condensatie te verhogen, aan de andere kant, als de druk lager is, stopt de ventilator om overmatige condensatie te voorkomen. De drukschakelaar is naast de compressor gemonteerd en bij de units met koelmiddel R22 op 15 bar en bij de units met koelmiddel R404A op 18 bar gekalibreerd. Het verschil is gekalibreerd op 2,5 bar.

9-3 Condensorventilatoren snelheidsregelaar

Dit is standaard bij de wandbevestigingsmodellen vormen 4 en 5; bovendien kan in plaats van de drukschakelaar van de ventilator op aanvraag een condensorventilator snelheidsregelaar worden geïnstalleerd: wanneer dit elektronische apparaat wordt gebruikt, dat de gasdruk afkomstig van de compressor niet direct regelt maar de temperatuur van het reeds gecondenseerde gas, is de regeling van de condensatietemperatuur lineair en niet meer "met stappen" zoals beschreven voor de ventilatordrukshakelaar. Praktisch gezien werkt de ventilator niet meer met AAN/UIT en de daaruit voortvloeiende variatie van condens ten opzichte van de kalibratiewaarde, in dit geval in feite na een korte instelperiode bereiken de ventilatoren een toerental dat het mogelijk maakt een constante condensatietemperatuur te handhaven. De snelheidsregelaar zit vast in het schakelbord en is in de fabriek gekalibreerd; de snelheidsregelaarsonde ligt in een goede behuizing op de afvoerbuï van de condensor. Als bij een storing de snelheidsregelaar of de bijbehorende sonde moet worden vervangen en het reserveonderdeel niet direct beschikbaar is, kunt u de machine toch in beweging zetten door dit voorschrift uit te sluiten. Om dit te doen, zet u de bypass schakelaar (**fig. 9-3a**) (deze bevindt zich in het schakelbord) in de stand "1". Vergeet niet om de oorspronkelijke instelling terug te zetten na het vervangen van het beschadigde onderdeel.

Instructies voor de regeling

- **Wijziging van de setpoint:**
De setpoint is de temperatuurwaarde die overeenkomt met een uitgangsspanning van 0 volt. De setpoint kan worden gewijzigd met de "Set" trimmer, die een regelveld van 0 tot 60°C heeft. Het is in de fabriek gekalibreerd op 35°C.
- **Verandering van het differentieel:**
Het differentieel is de temperatuurwaarde, die bij optelling bij de setpointwaarde overeenkomt met de hoogste uitgangsspanning (230 V). Deze kan met de "Differentiële" trimmer binnen de grenswaarden 3 en 30°C worden gewijzigd. Het is in de fabriek gekalibreerd op 15°C.

N.B. De trimmers "V min" en "Cut off" moeten op 0% ingesteld zijn.

9-4 Lijnfilter voor vloeibaar gas

Het bevindt zich op de leiding voor vloeibaar gas, net na de vloeïstoftank of, in de units waar er geen is, op de afvoerpijp van de condensor.

9-5 Magneetventiellijn voor vloeibaar gas

Deze wordt alleen op aanvraag gemonteerd (standaard op de verdamper van de Bi Block-units vormen 4 en 5). Het wordt zo geïnstalleerd dat de vloeistofstroom wordt onderbroken als het apparaat moet stoppen voor de ontdooiing of als de geprogrammeerde temperatuurwaarde is bereikt: op deze manier vindt de stop van de unit plaats als de compressor in vacuüm staat.

9-6 Capillaire buis

Het ligt aan de ingang van de verdamper en maakt het mogelijk dat het gas, afkomstig van de vloeibare gasleiding, de verdampingsdruk bereikt. Het is aanwezig in alle units, behalve de Bi Block-units vormen 4 en 5.

9-7 Thermostatisch ventiel

Het wordt alleen op aanvraag geïnstalleerd in plaats van de capillaire buis, maar het is standaard op Bi Block-units vormen 4 en 5. Hoewel het dezelfde functie vervult, is het ongetwijfeld een geavanceerder apparaat dat, in tegenstelling tot de capillaire buis, kan worden geregeld. De ventielkalibratie wordt in de fabriek uitgevoerd.

9-8 Vloeistofindicator

Het wordt alleen op aanvraag geïnstalleerd, maar het is standaard op de Bi Block-units vormen 4 en 5. Deze bevindt zich aan de linkerkant van de unit en is van buitenaf zichtbaar. De indicator moet meestal worden gecontroleerd tijdens de werking van het apparaat: als u een aanhoudende doorvoer van gasbellen opmerkt, kan dit betekenen dat er een gebrek aan gas in het systeem is; aan de andere kant, als de indicator duidelijk is en u slechts sporadisch een doorvoer van bellen opmerkt, betekent dit dat de gashoeveelheid correct is.

9-9 Aanzuigdrukregelventiel

Het is geïnstalleerd op sommige units met lage temperatuur met ontdooiing door heet gas en tot vorm 3. Het dient om de aanzuigdruk van de compressor tijdens de ontdooiing binnen aanvaardbare waarden te houden. Deze ligt op de aanzuigleiding, vlakbij de compressor. Het is in de fabriek gekalibreerd.

9-10 Schakelbord verwarmers

Het is een optioneel accessoire dat nodig is wanneer het apparaat moet worden geïnstalleerd in een plaats met een zeer ruw klimaat (temperatuur onder -10°C gedurende lange perioden); het dient om binnen het schakelbord, waar het wordt geïnstalleerd, de juiste temperatuur te handhaven voor de juiste werking van de elektrische componenten. Dit apparaat is voorzien van een binnentemperatuurregelaar.

9-11 Ontdooiing magneetventiel

Het is geïnstalleerd op alle units, behalve de hoge temperatuur units en alle Split- en Bi Block-series. Telkens wanneer een ontdooiing wordt gevraagd, wordt deze geopend. In de apparaten tot en met vorm 3 stroomt het hete gas van de ontdooiing direct door de magneetklep. In de grotere eenheden bedient de magneetklep de afbuigklep (9-12) die de gasdoorlaat regelt. Aan het einde van de ontdooiing sluit het magneetventiel weer.

9-12 Ontdooiing afbuigventiel

Het bevindt zich op de Wandbevestigingsunits vormen 4 en 5, behalve op hoge temperatuur units en dient om de hete gasstroom van de condensor naar de verdamper af te leiden om de ontdooiing uit te voeren. Om te kunnen werken moet deze door een magneetventiel (9-11) worden aangestuurd.

9-13 Terugslagklep van de ontdooiingsleiding

Het wordt geïnstalleerd op de Wandbevestigingsunits vormen 4 en 5, behalve de hoge temperatuur units en ligt op de pijp van de ontdooiing aan de ingang van de verdamper. Het dient om te voorkomen dat de in de verdamper gevormde vloeistof langs de ontdooiing, aan het einde van de ontdooiing, terugstroomt.

9-14 Ontdooiingverwarmer

Ze bevinden zich op de verdamper van alle Split- en Bi Block-units, behalve de hoge temperatuur units. Ze worden gebruikt om de verdampende batterij te verwarmen tijdens de ontdooiing.

9-15 Afvoerverwarmer

Deze bevindt zich in de afvoerbuis van de verdamper. Het is aanwezig op alle units met gemiddelde en lage temperatuur. Bij units met ontddooring door warm gas wordt deze via de hoofdschakelaar geregeld (bij ingeschakelde unit, werkt deze verw warmer altijd), bij Split- en Bi Block-units wordt deze elektrisch met de ontddoingsverwarmers verbonden. Het wordt gebruikt om het water af te voeren dat tijdens de ontddooring ontstaat, om te voorkomen dat het water befrist in de afvoerbuis.

9-16 Karterverwarmer

Het is standaard geïnstalleerd op de compressors van de Wandbevestigings- en Bi Block-units vormen 4 en 5; het wordt gebruikt om het carter te verwarmen voor het starten en om het warm te houden tijdens de compressorstop. Door de warmte die door het verwarmingselement wordt geproduceerd, verdampt het uiteindelijke koelmiddel in de vloeistof toestand dat zich in de compressor bevindt: op deze manier wordt de startspanning van de compressor verminderd en voorkomt men het breken van de klep, wat anders een gevolg zou kunnen zijn van de vloeistofcompressie.

Dit is absoluut noodzakelijk wanneer het apparaat op plaatsen met een lage temperatuur wordt geïnstalleerd. De verwarming werkt handmatig wanneer het apparaat is aangesloten op de voedingskabel en de hoofdschakelaar in de stand "UIT" staat, of start automatisch wanneer de unit het koelproces uitvoert.

BESCHERMINGS- EN VEILIGHEIDSINRICHTINGEN

Beschrijving van de beschermings- en veiligheidsinrichtingen (fig. 10-A):

10-1 Hogedrukschakelaar

Het dient om de werking van de unit te onderbreken als de systeemdruk te hoog is. De hogedrukschakelaar start na het uitvallen automatisch weer op. De hogedrukschakelaar is naast de compressor gemonteerd en er zijn twee verschillende typen: met vaste kalibratie of instelbaar. In ieder geval moet de uitschakelgrens in de apparaten met koelmiddel R22, 24 bar zijn en in de apparaten met koelmiddel R404A, 28 bar zijn. Het differentieel is gekalibreerd op 4 bar. Bij de driefasige units is hij standaard, maar op aanvraag kan hij bij alle toestellen worden geïnstalleerd.

10-2 Lagedrukschakelaar

Het schakelt, stopt de unit, wanneer de druk in het zuigcircuit onder de waarde daalt waarop het gekalibreerd is. Het herstarten gebeurt automatisch. Ook deze drukschakelaar ligt naast de compressor en kan met een vaste regeling of instelbaar zijn; in beide gevallen is de uitschakelgrens ongeveer - 0,3 bar (in de unit voor koelruimtes met temperatuur van 0 °C of zelfs hoger kan deze grens iets hoger zijn, maximaal 0,1 bar). Normaal gesproken is het differentieel 1 bar. Deze drukschakelaar schakelt normaal gesproken uit als gevolg van een storing of een werkafwijking. Als echter op verzoek de compressor in vacuüm wordt gestopt, schakelt de drukschakelaar altijd in de volgende gevallen:

- Het stopt als de geprogrammeerde temperatuurwaarde in de koelruimte is bereikt,
- compressorstop tijdens de ontddoifase.

10-3 Spanningsmonitor

Het is een elektronisch instrument dat alleen op aanvraag wordt geïnstalleerd. Het dient voor het onderbreken van de voeding van het apparaat, wanneer de spanning op de lijn, aan het begin van het apparaat, de geprogrammeerde grenzen overschrijdt. Deze limieten (maximum en minimum) kunnen worden geregeld; het herstarten gebeurt automatisch wanneer de normale omstandigheden worden hersteld met een vertraging die ook op het instrument kan worden geprogrammeerd. De monitor is in het schakelbord geïnstalleerd.

Instructies voor de regeling (Fig. 12-1)

- Programmering van de tel- en vertragingstijd:
Als de dipschakelaar (A) links en de dipschakelaars (B), (C) en (D) rechts staan, duurt de vertraging ongeveer 6 minuten; als de dipschakelaar (A) rechts staat, wordt de tijd teruggebracht tot 9 - 10 seconden. Aan deze tijd kunnen 10, 20, 30 seconden worden toegevoegd, door respectievelijk de dipschakelaars (B), (C) en (D) naar links te bewegen.
- Wijziging van de spanningsgrenzen:
Als de dipschakelaars (E) en (F) aan de linkerkant zijn geplaatst, schakelt de monitor in als de aangegeven spanning 12% hoger of lager is dan normaal. Het is mogelijk om de limieten verder te verhogen met 4% of 8%, waarbij respectievelijk de dipschakelaars (E) en (F) aan de rechterkant verplaatst kunnen worden.

10-4 Ventilator bescherming thermocontact

Alle gebruikte ventilatoren hebben binnen dit contact een onderbreking van de ventilator toevoer bij een oververhitting van de bijbehorende motorwikkeling als deze correct is aangesloten. Dit apparaat start automatisch opnieuw op wanneer de normale omstandigheden zijn hersteld; de waarde wordt door de fabrikant vastgesteld. Bij sommige ventilatoren is het thermocontact al in de motor aangesloten.

10-5 Zekeringen en automatische schakelaars

Elk van deze heeft een specifieke functie zoals aangegeven in het aansluitschema en in de bijbehorende legenda die bij het apparaat wordt geleverd. Als sommige apparaten van het apparaat niet werken, raden wij u aan eerst de efficiëntie van de zekeringen of van de automatische schakelaars te controleren.

REINIGING, ONDERHOUD EN STORINGEN

Het onderhoud moet worden uitgevoerd door vakmensen die over de vereiste technische kwalificaties beschikken die zijn vastgesteld door het land waar de unit is geïnstalleerd.

Voordat u onderhouds- of reinigingswerkzaamheden uitvoert, moet u het apparaat isoleren van elke bron van elektrische energie of waterkracht.

Voor het reinigen van het apparaat mogen NOOIT waterstralen worden gebruikt.

Voor het uitvoeren van onderhouds- en ondersteuningswerkzaamheden kan het nodig zijn het voorpaneel van de condenserende zijde van de unit te verwijderen. Handel als volgt overeenkomstig de modellen:

- **Wandbevestiging, Straddle, Split, Bi Block, Condensor Units en Horizontale Units (vormen 4 en 5):** Draai de schroeven los die het voorpaneel bevestigen (fig. 11-1) (in de Wandbevestiging- en Bi Block units vormen 5, verwijder alleen de schroeven van het rechterpaneel), verplaats de onderkant (de bovenkant voor de Wandbevestiging- en Bi Block units vormen 4 en 5) van het paneel ongeveer 20 cm van het paneel, maar de bovenkant (de onderkant voor de Wandbevestiging- en Bi Block units vormen 4 en 5) van het paneel moet aan de flens blijven haken (fig. 11-2); maak de bevestiging los van de aardingskabel waarmee het voorpaneel aan de binnenkant van de unit is bevestigd (fig. 11-3), til het paneel vervolgens op en verwijder het (fig. 11-4). Om de begincondities te herstellen, herhaal de handelingen in de tegenovergestelde volgorde.
- **Plafond en horizontale elementen vormen 1, 2 en 3:** Draai de schroeven los die het paneel bevestigen (fig. 11-5) en verwijder ze, verplaats het paneel van de unit zodat u de unit kunt binnengaan met een hand (fig. 11-6); maak de bevestiging los van de aardingskabel waarmee het voorpaneel aan de binnenkant van de unit is bevestigd (fig. 11-7) en verwijder vervolgens het paneel (fig. 11-8). Om de begincondities te herstellen, herhaal de handelingen in de tegenovergestelde volgorde.
Het onderhoud betreft vooral het reinigen van de luchtcondensor: deze handeling moet worden uitgevoerd door gebruik te maken van een luchtstraal van binnen naar buiten of door de buitenkant van de condensor te reinigen met een lange zachte borstel (fig. 11-9). Normaal gesproken moet de condensor eenmaal per week worden gereinigd; als de plaats waar de condensor is geïnstalleerd erg stoffig is, kan het nodig zijn om deze vaker te reinigen, zelfs dagelijks.

Als het apparaat is voorzien van een watercondensor, is het raadzaam om voor het reinigen een loodgieter of een gekwalificeerd persoon te raadplegen voor het gebruik van ontkalkingsmiddelen en materialen die nodig zijn voor deze bewerkingen. Normaal gesproken is het voldoende om dit soort onderhoud één keer per jaar uit te voeren, behalve voor specifieke problemen als gevolg van het hydraulische net; als dit is gebeurd, dient u contact op te nemen met een loodgieter. Ook de condenswaterafvoer moet worden gereinigd en ook in dit geval zou het beter zijn om een persluchtstraal van binnen naar buiten te gebruiken. Deze bewerking moet normaal eenmaal per maand worden uitgevoerd; in koelruimten met een hoge temperatuur waar een zeer vet product wordt bewaard, moet de efficiëntie van de afvoerkanalen vaker worden gecontroleerd, zelfs tot eenmaal per week.

Het kan voorkomen dat zich door een afwijking een compacte ijslaag vormt op de lamellenbatterij van de verdamper. Na de oorzaak te hebben vastgesteld en de storing te hebben verholpen, is het absoluut noodzakelijk al het ijs te verwijderen voordat u de machine weer in werking stelt. Hiervoor is een handmatige ontdooiing mogelijk (zie het handboek bij de handleiding van de elektronische instrumentatie). Als één ontdooiingsproces niet voldoende is, wacht dan enkele minuten en herhaal de procedure. Als u het smelten van het ijs nog meer wilt versnellen, dient u de volgende handelingen uit te voeren: het apparaat uitschakelen met de hoofdschakelaar, de metalen zijpanelen en de ventilatoren van de verdamper demonteren, het ijs smelten met heet water, vervolgens de ventilatoren en de zijpanelen weer monteren en het apparaat in beweging zetten.

N.B. Om het ijs van de lamellenbatterij van de verdamper te verwijderen, mag u **NOOIT** metalen of geslepen voorwerpen gebruiken.

Plaats het afgekeurde onderhoudsmateriaal op een geschikte opslagplaats als het vervuילend of niet biologisch afbreekbaar is.

Storingslijst:

N.B. Bij elke storing aan de elektronische apparatuur, behalve het niet-starten, controleer eerst of de parameters correct geprogrammeerd zijn (zie de instructies in het betreffende handboek).

Het elektronische bedieningspaneel en het elektronische instrument zijn voorzien van een binnenalarm dat storingen van de sonde, uitschakeling van de drukschakelaar (alleen op het elektronische bedieningspaneel) en slechte programmering van de parameters signaleert. Deze fouten verschijnen op het display door speciale codes die in de specifieke instrumentatiehandleiding worden aangegeven.

Als op het display een indicatie verschijnt, die geen alarmcode, temperatuurindicatie of signalering van bepaalde bedrijfsomstandigheden is, geprogrammeerd via de parameters (bijv. "DEF" tijdens de ontdooiing), betekent dit dat de instrumentatie beschadigd is en u deze moet vervangen.

Normaal gesproken is deze storing het gevolg van elektrische ruis die de werking van de microprocessor die de werking van het elektronische bedieningspaneel regelt, verhindert. Daarom raden wij u aan de aanwijzingen voor de plaatsing van de kabels van de apparaten in hoofdstuk 4 "ELEKTRISCHE AANSLUITING" op te volgen.

Nr.	Storing	Oorzaken	Oplossingen
1	(Units met elektronisch bedieningspaneel) Nadat u de voedingskabel hebt aangesloten en op de knop (AAN-UIT) hebt gedrukt, start het elektronische bedieningspaneel niet.	Spanningsgebrek of verkeerde spanning op de voedingskabel.	Controleer of de voedingsspanning overeenkomt met de op het etiket van het apparaat aangegeven spanning.
		De spanning monitor telt (zie hoofdstuk 7 - INGEBRUIKNAME).	Wacht ongeveer 10 minuten. Als na dit interval de omstandigheden niet zijn veranderd, controleer dan of de spanning de juiste waarde heeft en of de zekeringen van de monitor efficiënt zijn; als de zekeringen doorgeslagen zijn, vervang ze dan.
		Het elektronische bedieningspaneel wordt correct aangevoerd, maar start niet.	De verbinding tussen het elektronische bedieningspaneel en het toetsenbord wordt onderbroken: herstel de verbinding. Het elektronische bedieningspaneel is defect: het moet worden vervangen.
2	(Units geleverd met instrument) Na het aansluiten van de voedingskabel en het indrukken van de hoofdschakelaar schakelt de lamp op de schakelaar en het instrument niet in.	Spanningsgebrek of verkeerde spanning op de voedingskabel.	Controleer of de voedingsspanning overeenkomt met de op het etiket van het apparaat aangegeven spanning.
		De hoofdschakelaar is defect.	Vervang de schakelaar
3	(Units geleverd met instrument) Na het indrukken van de hoofdschakelaar schakelt de lamp op de schakelaar in, maar het elektronische instrument blijft uit.	Spanningsgebrek of verkeerde spanning op de voedingskabel.	Controleer of de voedingsspanning overeenkomt met de op het etiket van het apparaat aangegeven spanning.
		De zekering van het hulpcircuit is doorgebrand.	Vervang de zekering.
		De spanning monitor telt (zie hoofdstuk 7 - INGEBRUIKNAME).	Wacht ongeveer 10 minuten. Als na dit interval de omstandigheden niet zijn veranderd, controleer dan of de spanning de juiste waarde heeft en of de zekeringen van de monitor efficiënt zijn; als de zekeringen doorgeslagen zijn, vervang ze dan.
		De elektronische instrumenttransformator is defect.	Vervang de transformator.
		Het elektronische instrument is kapot.	Vervang het instrument.
4	Het elektronische bedieningspaneel start, de compressorled knippert en de compressor start niet.	Telling van de beveiliging van de compressor: wacht enkele minuten, daarna moet de compressor opnieuw starten.	(Units met elektronisch bedieningspaneel) Als deze situatie na enkele minuten aanhoudt, controleer dan de aansluiting van de microschemakelaarkabel van de deur of de efficiëntie van de microschemakelaar van de deur. Zorg ervoor dat de deur van de koelruimte ook goed gesloten is.
5	(Units met elektronisch bedieningspaneel) De alarmled brandt en het apparaat werkt niet zonder een indicatie.	Drukschakelaar klappt om.	Als het apparaat zelfs na het herstel van de normale omstandigheden niet start, controleer dan de efficiëntie van de drukschakelaar. Bij apparaten met een lagedrukschakelaar moet worden gecontroleerd of er gas uit het apparaat komt, indien dit het geval is moet het lek worden gevonden en moet de storing worden verholpen.

6	De compressor start niet, hoewel de bijbehorende led brandt.	(Wandmontage- en Bi block units vormen 4 en 5) De compressorzekeringen zijn doorgebrand.	Vervang de zekeringen en controleer of de oorzaak te wijten kan zijn aan een elektrische storing in de compressormotor.
		(Units voorzien van instrument) Drukschakelaar klappt om.	Drukschakelaar klappt om.
		De elektrische componenten van de compressortoevoer zijn beschadigd (alleen bij de monofasecompressoren).	Controleer de efficiëntie van het relais, de condensoren en de clixon en vervang ze als ze beschadigd zijn.
		Uitvallen van de binnenste beveiliging van de compressor.	(Wandmontage- en Bi block units vormen 4 en 5) Controleer de efficiëntie van alle compressorzekeringen en vervang ze als ze doorgebrand zijn.
			Controleer of de spanning correct is, of de contacten van de compressormagneetschakelaar efficiënt zijn en of de elektrische componenten van de monofasecompressor in goede staat zijn. Als er anomalieën worden ontdekt, herstel dan de optimale werkomstandigheden.
			Controleer of de condensatorventilatoren (naast de eventuele stuurdrukschakelaar of toerentalregelaar) goed werken. Vervang ze als ze kapot zijn.
			Controleer of de condensor perfect schoon is, als dat niet het geval is, reinig hem dan volgens de instructies in het hoofdstuk "ONDERHOUD".
Zorg ervoor dat er geen gas uit het toestel komt; als er een gaslek is, zoek dit dan op en herstel de storing.			
7	Als u op de verlichting van de koelruimte drukt, brandt de betreffende lamp, maar blijft de verlichting van de koelruimte uit.	De zekering van het voedingscircuit van de verlichting van de koelruimte is doorgebrand.	Vervang de zekering nadat u hebt gecontroleerd of de belasting die is aangesloten op de betreffende kabel een absorptie van minder dan 200 W heeft.
		De lamp in de koelruimte is doorgebrand.	Vervang de lamp.
8	De unit werkt, maar de deurverwarmer werkt niet. (Alleen bij lage temperatuur units)	De zekering van het voedingscircuit van de verlichting van de koelruimte is doorgebrand.	Vervang de zekering nadat u hebt gecontroleerd of de belasting die is aangesloten op de betreffende kabel een absorptie van minder dan 200 W heeft.
		De verwarmer is kapot.	Vervang de verwarmer.

9	Ondanks de ononderbroken werking van het apparaat kan de gewenste temperatuur niet worden bereikt.	De hoeveelheid gas is onvoldoende.	Voer de gasvulling uit door de manometers met elkaar te verbinden om de lading te regelen. Controleer of er lekkages zijn en repareer deze in dat geval.
		Gasdoorlaat in beide richtingen van de doorbuigklep (Wandmontage-units vormen 4 en 5).	Het is mogelijk om te proberen het ventiel te repareren, zelfs als het beter is om het te vervangen.
		Het drukregelventiel is geblokkeerd (units voor lage temperatuur).	Probeer het ventiel opnieuw te kalibreren, zelfs als het waarschijnlijk vervangen moet worden.
		Onvoldoende condensatie.	Reinig de condensor. Als dit niet voldoende is, controleer dan of de werkomstandigheden van de unit in acht zijn genomen.
		De juiste werk- of installatie-instructies zijn om de volgende redenen niet in acht genomen: <ul style="list-style-type: none"> • Het product is bij een te hoge temperatuur in de koelcel gebracht. • In de koelruimte bevinden zich andere warmtebronnen (bijv. afvoermonden van de vloer enz.). • De deur van de koelcel wordt te vaak en te lang geopend. • De goederen zijn te dicht bij de verdamper geplaatst, waardoor een correcte doorstroming van de lucht wordt belemmerd. 	Herstel de optimale werkomstandigheden.
10	De verdamper bevroest te veel, onregelmatig of slechts op enkele punten.	De hoeveelheid gas is onvoldoende.	Voer de gasvulling uit door de manometers met elkaar te verbinden om de lading te regelen. Controleer of er lekkages zijn en repareer deze in dat geval.
		De luchtcirculatie op de verdamper is onjuist.	Controleer de efficiëntie van de ventilatoren van de verdamper en vervang ze indien ze kapot zijn.
			Zorg ervoor dat de luchtstroom aan de uitgang en aan de ingang van de verdamper niet op enigerlei wijze wordt belemmerd of zelfs gedeeltelijk wordt belemmerd.
(Bi block units vormen 4 en 5) Onjuiste regeling van de thermostaatkraan.	Wijzig de regeling van het thermostatisch ventiel tot een correcte vorst bereikt is.		

11	Op de verdamper bevindt zich ijs, ook aan het einde van de ontthooing.	De unit wordt gebruikt in omstandigheden die enigszins afwijken van de optimale (nog steeds acceptabel).	Wijzig de kalibratie van de parameters met betrekking tot de ontthooing om de frequentie van de cycli en de waarde van de ontthooithermostaat te verhogen.
		Als er nog veel ijs over is, is het mogelijk dat het apparaat de ontthooing niet correct uitvoert.	Afhankelijk van het type unit, controleer de efficiëntie van het magneetventiel, van de verwarmingstoestellen of van het afbuigventiel, d.w.z. van de apparaten betreffende de ontthooing. Als een onderdeel beschadigd is moet het worden vervangen.
12	Rondom de ventilatoren van de verdamper ontstaat ijsvorming.	Hete lucht komt binnen via de condenswaterafvoer.	Controleer of er een sifon is gemaakt op het afvoerkanaal buiten de koelruimte.
		Tijdens de ontthooing ontstaat condenswater bij en op de ventilatoren.	Verlaag de ontthooitemperatuur en verleng de druip tijd.
13	Aan het plafond van de koelruimte voor de verdamper ontstaat ijsvorming.	Tijdens de ontthooing ontstaat er te veel stoom en aan het einde van de ontthooing starten de ventilatoren te vroeg opnieuw.	Verlaag de ontthooitemperatuur en verleng de uitschakelvertragingstijd van de ventilatoren aan het einde van de ontthooing.
14	Onder het verdamperbassin zijn druppels of ijsvorming.	De afvoerbuis is verstopt door ijs omdat de interne verwarming niet werkt.	Controleer het toevoercircuit van de verwarmmer. Vervang de verwarmmer als deze kapot is.
		De afvoerbuis is verstopt.	Reinig de afvoerbuis (zie "Onderhoud").
		De ringen die de afvoerpijpen met elkaar verbinden zijn losgekomen.	Herstel de hydraulische aansluitingen.
		Het bassin is vervormd door een klap (bijv. tijdens de installatie).	Als de vervorming gering is, kunt u proberen deze te vervormen; mocht dat niet het geval zijn, verander dan het bassin.

** Als er fouten in de werking van de unit worden geconstateerd moet u ervoor zorgen dat deze niet te wijten zijn aan het gemiste gewone onderhoud. Mocht dat niet het geval zijn, vraag dan de tussenkomst van een erkend assistentiecentrum van ons. Als u bepaalde onderdelen moet vervangen, vraag dan een verdeler of een geautoriseerde wederverkoper om ORIGINELE reserveonderdelen. De onderdelenlijst vindt u in de specifieke catalogus "Prijzlijst reserveonderdelen", die uitdrukkelijk bij de verdeler moet worden aangevraagd.*

** Om de zes maanden moet de unit worden gecontroleerd door een erkend assistentiecentrum.*

** Tijdens de sloop mag de unit niet onbeheerd worden achtergelaten vanwege de aanwezigheid van giftige schadelijke stoffen (koudemiddel) die onderworpen zijn aan voorschriften die het lozen door geschikte centra voorschrijven.*

Das Typenschild des Aggregates befindet sich auf der rechten Seite der Verflüssigungseinheit.

Bei Lieferung des Aggregates werden diesem folgende Unterlagen beigelegt:

- Gebrauchsanweisung;
- Buch der Instrumentierung;
- Elektr. Schaltschema mit Zeichenerklärung;
- Kältekreislaufschema mit Zeichenerklärung;

Bitte lesen Sie vor Installation und Inbetriebnahme aufmerksam die Informationen der Unterlagen und befolgen Sie diese auch, da sonst der Hersteller keine Garantie übernimmt, noch für Sach- und Personenschäden aufkommt!

Bewahren Sie alle Unterlagen sorgfältig auf.

Es ist untersagt, die Unterlagen teilweise oder in ganzem Umfang, ohne schriftliche Genehmigung des Herstellers, zu kopieren.

Der Hersteller behält sich das Recht vor, jederzeit ohne Vorankündigung, Änderungen des Produktes vorzunehmen.

Inhalt des Handbuchs:

- ALLGEMEINE ANWEISUNGEN,
- AUFSTELLUNG,
- KÄLTETECHNISCHER ANSCHLUß,
- ELEKTRISCHER ANSCHLUß,
- WASSERANSCHLUß,
- AGGREGATBESCHREIBUNG,
- INBETRIEBNAHME,
- EINSATZBEREICH,
- KREISLAUFKOMPONENTEN,
- SICHERHEITSVORRICHTUNGEN,
- WARTUNG UND STÖRUNGEN.





Technische daten		
	Niederdruckseite (LP)	Hochdruckseite (HP)
PS	16,5 bar	29,5 bar
TS (min/max)	-40°C / +50°C	-25°C / +65°C

ALLGEMEINE ANWEISUNGEN

- Das Kühlaggregat wird gemäß CEE – Richtlinien 73/23 (Niederspannung) und 89/336 (elektromagnetische Kompatibilität) hergestellt.
- Beachten Sie die auf dem Aggregat angebrachten Etiketten, decken Sie diese niemals ab und ersetzen Sie diese im Falle einer Beschädigung.
- Bewahren Sie keine brennbaren Materialien in der Nähe des Gerätes.
- Entfernen Sie keine festmontierten Schutzbleche.
- Das Aggregat ist nicht „EX – geschützt“.
- Säubern Sie das Gerät nur mit einem feuchten Tuch oder einem Geschirrspülmittel, niemals mit fließendem Wasser, einem Wasserstrahl oder Waschbenzin, Verdünner usw..
- Stellen Sie generell keine Gegenstände oder Behälter mit Flüssigkeiten auf dem Aggregat ab.
- Das Gerät ist vor Wärmequellen, Wärmestrahlung und hoher Luftfeuchtigkeit zu schützen.
- Die elektrische Anschlußleitung darf nicht beschädigt werden. Es sind Druck – oder Zugspannungen zu vermeiden sowie scharfe Knicke.
- Bei Beschädigung der Anschlußleitung darf das Gerät nicht benutzt werden.
- Das Aggregat erzeugt keine schädlichen Schwingungen, die Grenzwerte von 2,5 m/s² auf Körperoberflächen und von 0,5 m/s² auf den anderen Teilen werden deutlich unterschritten. Die im Aggregat auftretenden Schwingungen stammen vom Motorverdichter ab und werden durch Schwingungsdämpfer an den Füßen und an den Kreislaufverbindungen eliminiert.
- Schließen Sie niemals bei wassergekühlten Aggregaten den Wasserzulaufhahn.
- Achten Sie darauf; der Arbeits- und Aufstellungsort ist kein Spielplatz.
- Im Brandfall benutzen Sie unbedingt einen Pulverfeuerlöscher.
- Tauchen irgendwelche Probleme bei der Inbetriebnahme auf, schalten Sie sofort den Hauptschalter auf „AUS“.

Bevor Sie das Aggregat an seinen Einsatzort bringen, vergewissern Sie sich, daß alle für die Installation notwendigen Vorarbeiten abgeschlossen sind, wie z.B. Wand- oder Deckenausschnitte, E.-Zuleitung, Tauwasserabflußleitung, gegebenenfalls Wasserzulußleitung usw..

Das Typenschild des Aggregates ist auf der rechten Seite der Verflüssigungseinheit an der oberen linken Ecke befestigt.

		CE	
		YEAR	
Serial N. ??????????	Model ????????????????		
Voltage	Refrigerant	kg.	
???????????????	??????????	??????	
Compressor	?????????????????	Model ??????????????	
Ps ???????????	TS ??????????????		
 ??????????	 ???????	 ??????????	

AUFSTELLUNG

Die Montage ist entsprechend den Landesvorschriften nur von Fachpersonal vorzunehmen.

Hilfestellung für die Arbeiten finden Sie im Heft „**Technische Daten-Zeichnungen**“.

- **Einschubaggregate:** Setzen Sie das Aggregat, wenn möglich mit Gabelstapler, in den Wandausschnitt ein und bohren Sie die Befestigungslöcher (**Bild 2-1**). Befestigen Sie das Aggregat mit den mitgelieferten Schrauben (**Bild 2-2**), für die Aggregattypen 4 und 5 (**Bild 2-3 und 2-4**) verwenden Sie die mitgelieferten Durchgangsschrauben mit Scheiben, Stützplatten und Muttern zur Befestigung. Dichten Sie danach den Montagespalt mit Polyurethan-Spritzschaum ab.
- **Huckepackaggregate:** Das Kühlzellendeckenpaneel darf auf der Montageseite des Aggregates nicht aufgelegt und befestigt sein. Stellen Sie die Ausschnitte zur Aggregataufnahme in der oder den Wandpaneelen her (**Bild G – H – I**). Setzen Sie das Aggregat ein und befestigen Sie das Deckenpaneel. Drehen Sie die Abstandsschrauben auf der Verdampfer Seite soweit heraus, sodass die Verdampfer Vorderseite mit dem Deckenpaneel einen 90° Winkel bildet, das Verflüssigungsteil des Aggregates soll ebenfalls satt an der Außenwand anliegen, siehe **auch Bild 2-5 und 2-6**. Verbinden Sie dann das Tauwasserablaufrohr durch die Bohrung des Wandpaneels mit dem Plastikverbindungsstück der Verflüssigungseinheit (**Bild 2-7**). Dichten Sie danach alle Montagespalten mit Polyurethan-Spritzschaum ab.
- **Deckenaggregate:** Bringen Sie das Aggregat mittels Gabelstapler zum Deckenpaneelausschnitt und setzen es dort ein. Entfernen Sie die Trageschlaufen, aber bewahren Sie diese auf. Nun dichten Sie mit Polyurethan-Spritzschaum die Montagespalten ab.
- **Split- und Bi Blockgeräte:** Bei diesen Splitteinheiten befestigen Sie zuerst die Verdampfungseinheit an der Kühlzellendecke (**Bild 2-8 und 2-9**) und benutzen dazu das mitgelieferte Befestigungsmaterial. Stellen Sie die notwendigen Durchführungen für Kälteleitungen, E-Leitungen und die Tauwasserabflußleitung her und dichten Sie diese nach der Endmontage mit Polyurethan-Spritzschaum ab. Die Verflüssigungseinheiten der Aggregattypen 4 und 5 sind nach Abbildung (**Bild 2-3 und 2-4**) zu befestigen. Die Aggregattypen 1, 2 und 3 werden mit dem mitgelieferten Material an einer Mauer befestigt (**Bild 2-10**). Die Verflüssigungseinheiten sind absolut waagrecht zu montieren. Die waagerechte Verflüssigungseinheit braucht keine Befestigung.
- **Verflüssigungseinheiten:** Aufstellung und Montage wie Verflüssigungseinheiten der Split-Modelle.

Achtung: Bei Verwendung fremder Verdampfer ist die Leistung, die der Verflüssigungseinheit genau anzupassen, um eine optimale Funktion der Verflüssigungseinheit zu erzielen, wird empfohlen Verdampfungseinheiten zu verwenden.

- **Verdampfungseinheit:** Montage wie bei Split-Modellen.

Achtung: Verdampfungseinheiten sollten zur optimalen Leistungsausnutzung nur mit empfohlenen Verflüssigungseinheiten eingesetzt werden.

**Wenn das Aggregat an einer Kühlzelle in einem geschlossenen Raum installiert wird,
ist darauf zu achten, dass dieser gut belüftet ist.**

Achtung: Vergewissern Sie sich, ob die Wand – oder Deckenpaneel der Aggregatbelastung standhalten, siehe Tab. 1.

Achtung: Bei Versetzen des Aggregates darauf achten, dass das Gerät immer gehoben wird, niemals schleifen!

- **Kühlzellenbeleuchtung:** Die IP 54 geschützte Lampe ist maximal 1,5 m entfernt vom Aggregat zu installieren, siehe **Bild 2-11, 2-12 und 2-13**.
- **Schalttafel mit Fernbedienung:** Zur Befestigung der Schalttafel, öffnen Sie diese (**Bild 2-14**) und gehen danach nach **Bild 2-15** vor oder nach **Bild 2-16 und 2-17**. Evtl. elektrische Anschlüsse, siehe „Elektro-Anschluß“.

KÄLTETECHNISCHER ANSCHLUSS

Der Kältetechnische Anschluss der Split- und Bi Blockgeräte darf nur vom Kältefachpersonal ausgeführt werden!

Berücksichtigen Sie dabei die in Tabelle 2 empfohlenen Rohrdurchmesser.

Positionieren Sie zuerst die Rohrleitungen und stellen Sie alle evtl. notwendigen Lötverbindungen her, zum Schluss schließen Sie die Leitungen am Aggregat an.

Die Saugleitung soll immer mit leichtem Gefälle zur Verflüssigungseinheit hin verlegt werden, um eine gute Ölrückführung zum Motorverdichter zu gewährleisten.

Ist die Verflüssigungseinheit höher als die Verdampfungseinheit angebracht, so ist die Saugleitung senkrecht nach oben zu führen, zu Beginn der Steigstrecke ist ein Ölsiphon und ca. alle weiteren 3 m ein weiterer zu setzen. Die Sauggasgeschwindigkeit in der senkrecht nach oben führenden Leitung soll 10 bis 12 m/s betragen! Wenn es Ihnen nicht möglich ist dies zu berechnen, sollten Sie den Durchmesser der Steigleitung um einen Durchmessersprung nach unten dimensionieren, dadurch tritt zwar ein kleiner Leistungsverlust auf, aber die wichtige Ölrückführung zum Motorverdichter ist garantiert (**Bild 3-2**), (**Bild 3-3**). Aus Schönheitsgründen verlegen Sie Flüssigkeitsleitung, ohne Durchmesserreduzierung und ohne Ölsiphon, parallel zur Saugleitung (**Bild 3-2 und 3-4**). Die Rohrleitungen sind, je nach Durchmesser, in Abständen von 1,0 bis 1,5 m durch Schellen an der Wand zu befestigen. Die Saugleitung ist mit einem Moosgummischlauch zu isolieren!

Beim Anschließen der Rohrleitungen an das Aggregat achten Sie unbedingt darauf, dass die Anschlüsse ohne Verspannungen erfolgen. Bei den Bi Block-Modellen sind die Rohrleitungen und die Verdampfungseinheit zu evakuieren. Die Verflüssigungseinheit ist werksseitig evakuiert worden und steht bereits unter Kältemitteldruck (Kältemittelfüllung). Nach der Evakuierung öffnen Sie die Saug- und Druckabsperrentile an der Verflüssigungseinheit, somit steht nun die gesamte Anlage unter Kältemitteldruck; die Anlage kann in Betrieb genommen werden. Nach der Einlaufzeit kontrollieren Sie unbedingt die Kältemittel- und Ölfüllung. Die Ölfüllung ist richtig, wenn direkt nach Abschalten des Motorverdichters der Ölspiegel im Schauglas 1/2 bis 3/4 erreicht.

ELEKTRISCHER ANSCHLUß

Der elektrische Anschluss der Geräte darf nur von Fachpersonal, entsprechend den Landesvorschriften, ausgeführt werden.

Kontrollieren Sie zuerst, ob die Netzspannung, mit der auf dem Etikett der Geräte Anschluss Leitung gekennzeichneten, übereinstimmt. Die Anschluss Leitung des Gerätes ist gestreckt und vor Beschädigungen gesichert, zu verlegen. Das Kabel darf nicht zusammengerollt bleiben und soll vor Wasser und Wärmequellen geschützt, verlegt werden. Sollten Sie das Anschlusskabel auswechseln, so verwenden Sie nur Qualitätsware, die Leiterquerschnitte und Anzahl finden Sie in Tabelle 3. Bei der Montage der neuen Zuleitung, achten Sie darauf, dass die MP-Kabeldurchführung, wieder gut angezogen wird.

Der elektrische Hausanschluss für das Gerät soll eine Erdleitung, Sicherungselemente für jede Phase und einen Fehlerstrom-Schutzschalter haben, die Leiterquerschnitte müssen der max. Leistungsaufnahme des Gerätes entsprechen, es sind die Unfallverhütungsvorschriften einzuhalten!

Bei den Split-Modellen ist die Verflüssigungseinheit mit der Verdampfungseinheit zu verbinden, das zu verwendende Kabel finden Sie in Tabelle 3 angegeben. Den Anschluss für die elektrische Verbindung finden Sie an der linken Seite der Verflüssigungseinheit.

Bei den Bi Block-Modellen ist die Verflüssigungseinheit mit der Verdampfungseinheit zu verbinden, das zu verwendende Kabel finden Sie in Tabelle 3 angegeben. Die Verbindungsleitung wird nicht mitgeliefert.

Der elektrische Anschluss an den Verdampfer der Split-Modelle soll wie folgt ausgeführt werden:

Entfernen Sie die Schrauben an der Vorderseite der Tropfwasserschale (**Bild 4-1**) und klappen Sie diese herunter, dadurch haben Sie Zugang zu den Verdampfer Lüftern (**Bild 4-2**) Entfernen Sie den Deckel der Abzweigdose (**Bild 4-3**), nun führen Sie das Kabel durch die Kabeldurchführung der Verdampferseitenwand, als auch durch die der Abzweigdose (**Bild 4-4**) und führen den Anschluss aus, achten Sie dabei auf die Kennzeichnung der Klemmleiste, sowie der elektrischen Leiter. Ziehen Sie die Kabeldurchführung gut an. Schließen Sie das Verdampfer Gehäuse wieder, verwenden Sie dabei alle vorher entfernten Schrauben.

Die Verbindung des Verdampfers von waagerechten Bi Block-Aggregattypen 1, 2, 3a soll ausgeführt werden, indem man dieselben Anweisungen für die Verbindung vom Verdampfer der Split-Aggregate folgt.

Nach der Verbindung vom Verdampfer verbinden Sie den Verflüssigungssatz, wie folgt:

die Frontblende des Aggregats beseitigen (**Bild 4-14**). Die Schalttafel öffnen. Die Kabel durch sowohl die auf der rechten Flanke vom Verflüssigungssatz liegenden Kabelschellen und als auch durch die auf der rechten Flanke von der Schalttafel liegenden stecken (**Bild 4-15**). Dann die Verbindung beim Beachten der am Klemmenbrett angegebenen Bezifferungen ausführen. Die Schalttafel wiederschliessen und die Frontblende wieder aufstellen.

Der elektrische Anschluss an die Verdampfer der Bi Block-Modelle und der waagerechten Bi Block-Aggregattypen 3b, 4, 5, soll wie folgt durchgeführt werden:

Nehmen Sie die rechte Seitenwand des Verdampfers ab (**Bild 4-5**) und öffnen Sie die Abzweigdose. Sollten Sie 2 Abzweigdosens vorfinden, so benutzen Sie nur die Untere.

Öffnen Sie nun den Schaltkasten der Verflüssigungseinheit und führen das Kabel durch den Schutzschlauch (**Bild 4-6**). Nehmen Sie nun den elektrischen Anschluss vor, indem Sie die Kennzeichnung im Schaltkasten der Verflüssigungseinheit und die der Klemmleiste in der Abzweigdose des Verdampfers beachten, siehe auch Schaltplan.

Lichtleitung der Kühlzelle:

Das Lichtleitungskabel wird für alle Modelle mitgeliefert, ausgenommen die Modelle Split- und Bi Blockgeräte und Verflüssigungseinheiten. Das

Kabel ist, die Polarität beachtend, an die Fassung der Beleuchtung anzuschließen. Die max. Belastung der Beleuchtungseinheit ist 60 Watt.

Achtung: Die Beleuchtungszuleitung erhält Strom vom Aggregat, also keine externe Einspeisung vornehmen.

Zuleitung der Türrahmenheizung:

Das Anschlusskabel für die Türrahmenheizung wird nur bei Aggregaten für Tiefkühlung geliefert. Dieses Kabel kann ebenfalls für den Anschluss der Heizung des Druckausgleichventils dienen. Die max. Belastung von 200 Watt darf nicht überschritten werden. Beachten Sie beim Anschluss die Polarität!

Achtung: Das Kabel erhält Strom vom Aggregat, also keine externe Einspeisung vornehmen.

Zuleitung für den Tür-Mikroschalter:

Das Kabel wird nur bei Aggregaten mit Schalttafel geliefert und dient dazu, den an der Kühlzellentür zu installierenden Mikroschalter, mit der Schalttafel und dem Aggregat zu verbinden. Folgende Anschluss Möglichkeiten sind gegeben: Bei Öffnen der Tür, wird die Beleuchtung eingeschaltet, die Verdampfer Lüfter werden abgeschaltet oder das gesamte Aggregat wird stillgesetzt. Diese Schaltmöglichkeiten können an der Schalttafel programmiert werden. Die 2 Leiter des Kabels werden an den Mikroschalter angeschlossen, sollte kein Mikroschalter eingesetzt werden, so sind die beiden Leiter des Kabels miteinander zu verbinden (Anlieferungszustand).

Bei den Typen Split- und Bi Block wird kein Verbindungskabel mitgeliefert, jedoch ist in der Schalttafel der Anschluss hierfür vorgesehen.


Achtung: Das Kabel erhält Strom von der Aggregatschalttafel, also keine externe Einspeisung vornehmen.


- **Verflüssigungseinheiten:** Die Klemmleiste, die sich an der Hinterseite des Schaltkastens befindet, sieht den evtl. Anschluss eines Thermostaten oder eines anderen Steuergerätes vor. Zur Herstellung des Anschlusses gehen Sie wie folgt vor: Entfernen Sie die Befestigungsschrauben der Frontseite (**Bild 4-7**), ziehen Sie den Erdleiter vom Fastonstecker ab (**Bild 4-8**) und entfernen Sie die Frontseite, danach entfernen Sie auch die Befestigungsschrauben des Schaltkastens (**Bild 4-9**) und ziehen diesen aus seinem Sitz heraus (**Bild 4-10**), legen Sie nun den Schaltkasten auf die Vorderseite, um an die Schutzverkleidung der Faston-Anschlußleiste zu gelangen (**Bild 4-11**). Entfernen Sie die Befestigungsschrauben (**Bild 4-12**), nachdem Sie die Plastik-Schutzverkleidung entfernt haben und ziehen Sie die Brücke von den Fastonsteckern mit der Kennzeichnung „ne“ (**Bild 4-13**) ab und schließen an dieser Stelle den Thermostat an. Bauen Sie in umgekehrter Reihenfolge alles wieder zusammen. Bei einigen Modelle, vor allem bei den waagerechten Verflüssigungseinheiten, liegt die Klemmleiste im Schaltkasten.
- **Verdampfungseinheiten:** Anschlüsse wie bei den Verdampfern der Split-Modelle.

Die Aggregatzuleitung ist unter Beachtung der Netzkabelfarben durchzuführen.

Erfolgt die Lieferung bereits mit Schalttafel für Fernbedienung, so ist diese bereits betriebsfertig angeschlossen. Bei einer Nachbestellung der Schalttafel, ist diese gemäß dem Schaltplan anzuschließen.

Achtung: Um elektrischen Störungen vorzubeugen, ist darauf zu achten, dass Kabel mit hoher Belastung von Kabeln mit geringer Belastung entfernt voneinander zu verlegen sind. Kabel dürfen sich niemals kreuzen. Wenn das Aggregat durch einen Generator gespeist wird, ist darauf zu achten, dass das Periodensignal absolut sinusförmig und nicht eckig ist, sonst droht Beschädigungsgefahr für das Kühlaggregat.

Bei Anschluss eines Verdampfers oder einer Schalttafel mit Fernbedienung, beachten Sie, dass die Geräte geerdet werden müssen. Den Erleiteranschluß erkennen Sie am Symbol. 

Es ist Vorschrift das Aggregat zu erden! Zusätzlich ist das Aggregat in ein Equipotenzialsystem einzubinden (siehe Symbol ) , der Anschluss soll in der Nähe der Netzzuleitung liegen.

WASSERANSCHLUSS

In diesem Abschnitt werden die Anschlüsse an wassergekühlte Verflüssiger und Kondenswasser Abläufe behandelt. Die Wasserzu- und Ableitungen der größten Anzahl der Aggregate wird in 3/8" Rohrdurchmesser ausgeführt. Ausnahmen bilden die Aggregattypen 4 und 5, bei diesen sind die Zu- und Abwasserleitungen in 5/8" Rohrdurchmesser auszuführen. Beim Anschluss an den Verflüssiger beachten Sie unbedingt die Durchfluss Richtung. Die Rohre werden in die konischen Verbinder eingeführt und diese dann fest angezogen. Der Wasserzulauf soll direkt vor dem Verflüssiger Zulauf installiert werden. Zur Gewährleistung einer guten Funktion des Aggregates, ist es notwendig, dass bei Verwendung von Kühlturmwasser die

- Zulauftemperatur zum Verflüssiger zwischen 25 und 30°C liegt; Bei Verwendung von Stadt- oder Brunnenwasser soll die
- Zulauftemperatur 10-15°C betragen. Der Wasserdruck soll 2 bis 5 bar betragen.

Bei hartem oder veralgtem Wasser setzen sich die Kühlwasserrohre im Verflüssiger zu, dies bemerken Sie durch Leistungsabfall des Aggregates und durch stark erhöhte Verflüssigungstemperatur, bzw. Verflüssigungsdruck. Die Wasserrohre des Verflüssigers sind deshalb mit einem Spezialmittel zu spülen, um die Rohre von den Ablagerungen zu befreien.

Bei hartem oder veralgtem Wasser setzen sich die Kühlwasserrohre im Verflüssiger zu, dies bemerken Sie durch Leistungsabfall des Aggregates und durch stark erhöhte Verflüssigungstemperatur, bzw. Verflüssigungsdruck. Die Wasserrohre des Verflüssigers sind deshalb mit einem Spezialmittel zu spülen, um die Rohre von den Ablagerungen zu befreien.

Abtauwasseranschlüsse:

- Die Kondenswasseranschlüsse sollen bei den Einschub- und Huckepackaggregaten Typen 1, 2 und 3 auf der rechten unteren Seite der Verflüssigungseinheit erfolgen (**Bild 5-1**).
- Bei den Einschubaggregaten Typen 4 und 5 ist der Anschluß in der Mitte, hinten unter der Verflüssigungseinheit vorzunehmen (**Bild 5-2**).
- Bei den Deckenaggregaten mit Tauwasserablaufleitung ist das Abflußrohr an der Vorder- oder Unterseite der Verdampfertauwasserschale zu befestigen (**Bild 5-3**).
- Das Abflußrohr ist bei den Deckenaggregaten mit Verdunsterschale für Tauwasser unter dem Verflüssiger zu befestigen (**Bild 5-4**).
- Bei den Split- und Bi Blockgeräten und der Verdampfungseinheiten schließen Sie das Abflußrohr unter der Verdampfertauwasserschale an (**Bild 5-5**).

Die Tauwasserabflußleitungen sollen mit einem Gefälle von 3 cm/m verlegt werden!

- Für die Modelle mit Tauwasserablaufleitung gilt, dass die Abflußrohre in der Kühlzelle so kurz wie möglich zu halten sind, um eine evtl.
- Eisbildung im Abfluß zu verhindern. Für die Modelle, die nicht mit einer Tauwasserverdunsterschale ausgerüstet sind, ist in der Abflußleitung ein Siphon vorzusehen
- (**Bild 5-6**). Können Außentemperaturen unter 0°C am Zellaufstellungsort auftreten, ist die Abflußleitung entsprechend zu isolieren.

Achtung: befolgen Sie bitte unbedingt diese Anweisungen, der Hersteller kommt bei Nichteinhaltung für keine Schäden auf.

AGGREGATBESCHREIBUNG

Die Hauptbestandteile sind in **Bild 6-A** fixiert.

Beschreibung der Schalter und Schaltfunktionen finden Sie auf der Schaltkastenvorderseite (**Bild 6-B**).

6-1 - Elektronische Schalttafel oder Schalttafel mit Fernbedienung, siehe anliegende Broschüre.

6-2 - Der Hauptschalter ist in die elektronische Schalttafel oder die Schalttafel mit Fernbedienung integriert. Der Hauptschalter schaltet nur den Steuerstromkreis!

6-3 - Der Lichtschalter für die Kühlzelle ist in den elektronischen Schalttafeln integriert.

INBETRIEBNAHME

- Bevor Sie den Hauptschalter betätigen, kontrollieren Sie zuerst, ob der Motorverdichter mit einer Kurbelwannenheizung ausgerüstet ist. Wenn dies der Fall ist, warten Sie solange mit dem Schalten des Hauptschalters, bis das Verdichter Kurbelgehäuse handwarm ist.

Achtung: Kann das Aggregat nicht in Betrieb gesetzt werden, kontrollieren Sie ob ein Spannungsmonitor installiert ist (Abschnitt 10-3), wenn dies der Fall ist warten Sie etwa 6 Minuten, dann läuft das Aggregat an.

EINSATZBEREICH

Der Einsatzbereich und die gute Funktion des Aggregates wird von folgenden Faktoren bestimmt:

Die Beschickungstemperatur der neuen Ware darf maximal 5°C höher als die Lagertemperatur sein, das maximale Zuladungsgewicht pro Tag darf nicht überschritten werden. Die neu eingelagerte Ware sollte möglichst dem direkten Kaltluftstrom ausgesetzt sein, beachten Sie aber dabei, daß die Luftzirkulation in der Zelle dadurch nicht beeinträchtigt wird. Arbeiten Sie überlegt und öffnen Sie die Zellentür so wenig und so kurzzeitig wie möglich.

Die günstigsten Außenbedingungen für Zelle und Aggregat sind: Temperatur 15 bis 40°C, relative Luftfeuchtigkeit 40 bis 80 %.

Die Modelle für **hohe** und **mittlere** Temperatur.....werden für die Konservierung von frischen Nahrungsmitteln eingesetzt.

Die Modelle für **tiefe** Temperaturwerden für die Konservierung von tiefgefrorenen Nahrungsmitteln eingesetzt.

- Beachten Sie in beiden Fällen das maximale Zuladungsgewicht pro Tag!
- Die oben angegebenen Modelle sind für keine anderen Zwecke geeignet !!!
- Bei Einsatz, unterschiedlich von dem oben beschriebenen, lehnt der Hersteller jeden Schadensersatzanspruch ab.

KREISLAUFKOMPONENTEN

Folgende Komponenten steuern den Kältekreislauf (**Bild 9-A**).

9-1 Elektronische Kontrollgeräte

Es werden 2 verschiedene Typen eingesetzt, elektronische Steuerung oder einen elektronischen Temperaturregler. Das letztere Gerät wird auch bei den Modellen mit Schalttafel für Fernbedienung eingesetzt. Die eingebaute elektronische Steuerung hat gegenüber der zweiten beweglichen Gerät den Vorteil, daß die erste mehr Steuerfunktionen ausführen kann. Lesen Sie hierzu das beigegefügte Instruktionssheft!

9-2 Verflüssigerdruckwächter für die Lüfter

Dieser Druckwächter-Schalter wird nur auf besonderen Wunsch für die Bi Block-Typen 4 und 5 geliefert, er bewirkt, daß bei niedrigen Umgebungstemperaturen der Verflüssigungseinheit der Verflüssigungsdruck nicht zu tief absinkt. Der Einsatz ist unbedingt notwendig bei Umgebungstemperaturen unter +5°C. Die Funktion ist: Der Druckschalter schaltet bei steigendem Verflüssigungsdruck den zweiten Verflüssigerlüfter zu und umgekehrt, dadurch bleibt der Verflüssigungsdruck in den erforderlichen Grenzen. Der Druckschalter ist eingestellt auf 15 bar für Kältemittel R22 oder 18 bar für R404A, die Druckdifferenz beträgt 2,5 bar.

9-3 Drehzahlregler für Verflüssigerlüfter

Die Drehzahlregler werden bei Einschubaggregattypen 4 und 5 serienmäßig installiert und können auch auf Wunsch bei den Bi Block-Typen 4 und 5 eingesetzt werden. Die Drehzahlregler haben keine ON/OFF Funktion, wie die in Absatz 9-2 beschriebenen Druckschalter. Die Drehzahlregler regeln die Lüfterdrehzahl stetig, sprich Luftdurchsatz und halten dadurch den Verflüssigungsdruck auf einen optimalen Wert. Die Grundeinstellung wird werksseitig vorgenommen. Bei Ausfall eines Reglers, schalten Sie den im Schaltkasten befindlichen Schalter auf Position 1 (**Bild 9-3a**). Nach Auswechslung des Reglers stellen Sie den Urzustand wieder her.

Einstellungshinweis:

Der „Setpoint Bereich“ beträgt 0° bis 60°C, der werksseitige Einstellwert beträgt 35°C.

Der Wert des Schaltdifferenzbereiches beträgt 3 bis 30°C. Werkseinstellung 15°C.

Zählen Sie den Setpointwert mit dem Differenzwert zusammen, erhalten Sie den Schaltpunktwert.

Achtung: Die Trimmer "V min" und "Cut off" sind auf 0% einzustellen.

9-4 Filter-Trockner

Der Filter-Trockner ist in der Flüssigkeitsleitung, vor einem evtl. installiertem Schauglas und dem thermischen Expansionsventil oder der Kapillare positioniert.

9-5 Magnetventil in der Flüssigkeitsleitung

Das Magnetventil in der Flüssigkeitsleitung kann 2 Aufgaben erfüllen:

Bei Stillstand des Motorverdichters schließt dieses und verhindert ein Nachspritzen des thermostatischen Expansionsventil, aus welchem Grund auch immer und verhindert somit eine Kältemittelüberfüllung des Verdampfers und folgend, bei erneutem Anlauf des Verdichters, Flüssigkeitsschläge auf die Verdichterventile (Bruchgefahr). Die zweite Aufgabe kann sein, die Anlage im „Pumpdown-Betrieb zu betreiben. Das Magnetventil wird durch den Thermostaten geschaltet, der Motorverdichter bleibt solange in Betrieb, bis der Einstellwert des Niederdruckschalters erreicht ist, dieser Wert soll immer über dem Vakuum-Wert liegen.

9-6 Das Kapillarrohr

Die Kapillare dient zu Entspannung des Kältemittels von der Verflüssigerseite zur Verdampferseite. Entsprechend dem Druckverhältnis von Verflüssiger zum Verdampfer, passiert mehr oder weniger Kältemittel die Kapillare. Bei Stillstand des Verdichters sorgt die Kapillare für einen Druckausgleich zwischen Hoch- und Niederdruckseite des Systems. Die Kapillare wird bei allen Modellen bis auf die Bi Block-Typen 4 und 5 eingesetzt.

9-7 Das thermostatische Expansionsventil

Das Expansionsventil ist ein Entspannungsinstrument, das druck- und temperaturgesteuert dem Verdampfer genau die Kältemittelmenge zuführt die zur Verdampfung, sprich „Kälteerzeugung“, notwendig ist. Es schließt bei Verdichterstillstand und läßt keinen Druckausgleich zwischen Hoch- und Niederdruckseite zu. Das E.Ventil wird serienmäßig in den Aggregaten Bi Block-Typen 4 und 5 eingesetzt. Die Einstellung der Überhitzung wird bereits werksseitig vorgenommen.

9-8 Flüssigkeitsschauglas

Durch das Schauglas wird die Kältemittelfüllung des Aggregates kontrolliert. Ist das Schauglas leer oder sind Blasen zu sehen, so ist die Anlage unterfüllt (Kältemittelmangel), bei vollem Schauglas, man soll gerade noch die Flüssigkeitsströmung erkennen, ist die Anlage richtig gefüllt. Vorbeschriebenes gilt nur bei laufendem Verdichter! Das Schauglas wird bei den Bi Block-Typen 4 und 5 serienmäßig eingesetzt und ist, von außen sichtbar, auf der linken Aggregatseite installiert.

9-9 Startregler

Der Startregler wird in der Saugleitung vor dem Verdichter eingebaut. Er schützt den Verdichtermotor vor Überlastung beim Anlauf, -hoher Verdampferdruck, z.B. Heißgasabtauung, elektrische Abtauung usw. Der Startregler wird bei den Aggregaten für tiefe Temperatur installiert und ist werkseingestellt.

9-10 Schalttafelheizung

Sind Aggregate für längere Zeit Temperaturen von unter -10°C ausgesetzt, so ist es notwendig eine Schalttafelheizung einzusetzen, um die Funktionen der elektrischen Bauteile zu gewährleisten. Die Heizung ist mit einem Temperaturregler ausgestattet.

9-11 Magnetventil für die Heißgasabtauung

Das Magnetventil ist in einer Umgehungsleitung des Verflüssigers installiert, die direkt zum Verdampfereingang führt. Die Abtauphase wird periodisch durch eine Zeitschaltuhr eingeleitet und thermisch begrenzt. Die Zeitschaltuhr steuert das Magnetventil an, das öffnet. Das Heißgas wird direkt vom Verdichter in den Verdampfer gepumpt, ist eine Verdampferoberflächen temperatur von ca. 10°C erreicht, wird das Magnetventil wieder geschlossen und der normale Kältebetrieb wieder aufgenommen. Das Magnetventil wird bei allen Aggregaten, außer den Modellen für tiefe Temperatur und den Split- und Bi Blockgeräten, installiert. Bis Typ 3 strömt das Heißgas direkt durch das Magnetventil, bei den größeren Typen wird mittels des Magnetventils ein Umschaltventil betätigt, das den Heißgasstrom kontrolliert in den Verdampfer leitet. Die Abtaubegrenzung erfolgt wie vor beschrieben. Umschaltventil siehe **Bild 9-12**.

9-12 Umschaltventil

Das Umschaltventil leitet das heiße Gas und flüssige Kältemittel direkt aus dem Verflüssiger in den Verdampfer. Das Ventil wird durch ein Pilotmagnetventil (**Bild 9-11**) gesteuert. Es wird bei den Einschubmodellen-Typen 4 und 5 eingesetzt, ausgenommen die Serien für hohe Temperatur.

9-13 Rückschlagventil

Ein Rückschlagventil verhindert mechanisch, den unerwünschten Rückfluss von flüssigem Kältemittel oder Gas in einer Rohrleitung. Es wird bei den Einschubaggregattypen 4 und 5, außer den Modellen für hohe Temperatur eingesetzt und ist in der Heißgasleitung am Verdampfer Eingang positioniert.

9-14 Elektrische Abtauheizungen

Die elektrischen Abtauheizungen sind im Verdampfer Paket installiert und heizen dieses während der Abtauphase auf. Die Heizungen werden in allen Split- und Bi Blockaggregaten eingesetzt, ausgenommen den Modellen für hohe Temperatur.

9-15 Tauwasserablaufheizung

Die Tauwasserablaufheizung liegt direkt im Tauwasserabfluß. Bei allen Modellen für Normal- und Tiefkühlung ist die Ablaufheizung immer in Betrieb. Bei den Split- und Bi Blockaggregaten wird die Ablaufheizung zusammen mit der elektrischen Abtauheizung geschaltet.

9-16 Verdichter-Kurbelwannenheizung

Die Kurbelwannenheizung dient dazu, kondensierendes Kältemittel aus dem Schmieröl des Verdichters in der Kurbelwanne auszudampfen. Die Kurbelwannenheizung ist nur in der Stillstandszeit des Verdichters eingeschaltet. Bei längerem Stillsetzen einer Anlage ist darauf zu achten, dass in jedem Fall die Kurbelwannenheizung mit ausgeschaltet wird. Bei erneuter Inbetriebnahme ist die Kurbelwannenheizung einige Stunden vorher einzuschalten. Alle Motorverdichter der Einschubaggregate und der Bi Blockgeräte Typen 4 und 5 sind mit Kurbelwannenheizungen ausgerüstet. Achtung: Die Kurbelwannenheizung ist auch in Betrieb, wenn der Aggregathauptschalter auf „0“ steht, es sind also bei längerem Stillsetzen des Aggregates die Zuleitungssicherungen zu entfernen.

SICHERHEITSVORRICHTUNGEN

Die Sicherheitsvorrichtungen sind bildlich in **Bild 10-A** dargestellt.

10-1 Hochdruckwächter

Der Hochdruckwächter ist ein Druckschalter, der den höchstzulässigen Druck des Aggregates überwacht und bei Überschreiten die Anlage abschaltet. Die Rückstellung erfolgt automatisch. Die Geräte werden in zwei verschiedenen Ausführungen geliefert; mit fester Einstellung oder mit regelbarer. Die Schaltwerte liegen bei 24 bar für R22 und 28 bar für R404A, ausschaltend. Die Schaltdifferenz beträgt 4 bar. Der Hochdruckwächter ist bei allen Aggregaten mit Dreiphasenmotorverdichtern eingebaut, ist aber auf Wunsch für alle anderen Aggregate lieferbar.

10-2 Tiefdruckwächter

Der Tiefdruckwächter ist ein Druckschalter, der den tiefstzulässigen Druck des Aggregates überwacht und bei Unterschreiten die Anlage abschaltet. Die Geräte werden ebenfalls mit fester oder regelbarer Einstellung und automatischer Rückstellung geliefert. Der Abschaltwert soll immer -0,3 bar betragen, die Schaltdifferenz 1 bar. Bei einem Abschaltwert im Vakuumbereich besteht die Gefahr, daß selbst bei kleinster Undichtigkeit im System, Luft und Feuchtigkeit angesaugt werden, die dann auf Dauer, dem Aggregat großen Schaden zufügen können.

10-3 Spannungsmonitor

Der Spannungsmonitor wird nur auf Bestellung geliefert und ist dann im Schaltkasten eingebaut. Er unterbricht die Stromzufuhr zum Aggregat, wenn die Eingangsspannung ihren Toleranzwert überschreitet. Die Toleranzwerte, Maximum und Minimum, sind einstellbar. Das Gerät hat eine automatische, zeitverzögerte Rückstellung. Die Zeitverzögerung ist ebenfalls einstellbar.

Hinweise für die Einstellung (Bild 12-1)

- Einstellung der Verzögerungszeit:
Steht der „Dip-schalter“ A, links und die Dipschalter B, C und D, rechts, so beträgt die Verzögerungszeit ca. 6 Minuten. Wird der Schalter A nach rechts gelegt, so verringert sich die Verzögerungszeit um ca. 10 Sekunden, zu dieser Einstellung können weitere 10 - 20 oder 30 Sekunden summiert werden, wenn die Schalter B, C und D nach links gelegt werden.
- Veränderung der zulässigen Spannungsgrenzen:
Stehen die Dipschalter E und F links, so schaltet der Monitor bei Spannungsabweichungen größer 12% vom Nominalwert. Die Abweichungen vom Nominalwert, bis zum Eingreifen (Abschalten) des Monitors können um 4 bzw. um 8% erhöht werden, wenn die Schalter E und, oder F nach rechts gelegt werden.

10-4 Schutz durch Thermistor des Lüftermotors

Alle eingesetzten Lüftermotoren der Aggregate sind durch Thermistoren geschützt, das heißt, daß bei Überlastung der Motoren und Anstieg der Wicklungstemperatur der Thermistor den Motor vom Netz trennt und diesen erst nach Abkühlung wieder einschaltet. Die Thermistoren sind im Motorwicklungspaket eingebettet, die Schaltwerte werden vom Motorhersteller festgelegt.

10-5 Elektrische Sicherungen und Sicherungsautomaten

Die Sicherungen und Sicherungsautomaten haben spezifische Aufgaben zu erfüllen, siehe auch Schaltschema. Bei Ausfall eines Aggregates kontrollieren Sie zuerst diese elektrischen Sicherheitsvorrichtungen!

WARTUNG UND STÖRUNGEN

Die Wartung der Geräte soll nur von Fachpersonal ausgeführt werden. Vor Beginn der Wartungsarbeiten ist das Aggregat elektrisch vom Netz zu trennen. Bei wassergekühlten Aggregaten, auch vom Wassernetz.

Achtung: Niemals die Aggregate mit Wasser abspritzen oder mit fließendem Wasser reinigen!!!

Die Wartung kann es notwendig machen, daß die Frontseite der Verflüssigungseinheit abgenommen werden muß, verfahren Sie wie folgt:

- Bei den **Einschubaggregaten, Huckepackaggregaten, Split- und Bi Blockgeräten, Verflüssigungseinheiten und waagerechten Aggregattypen 4 und 5** sind die Befestigungsschrauben der Frontseite zu entfernen (**Bild 11-1**), bei den Einschub- und Bi Blockgeräten Type 5 sind nur die Schrauben der rechten Gehäusewand zu entfernen. Klappen Sie das Paneel unten ca. 20 cm heraus, ohne es oben aus der Flanschführung zu entfernen (**Bild 11-2**). Bei den den Einschub- und Bi Blockgeräten Typen 4 und 5 wird das Paneel oben ca. 20 cm herausgeklappt und soll unten in der Führung verbleiben. Nun ziehen Sie den Faston-Erdungsstecker ab (**Bild 11-3**) und entfernen das Verkleidungsblech (**Bild 11-4**). Beim späteren Zusammenbau verfahren Sie in umgekehrter Reihenfolge.
- Bei den Deckenaggregaten und waagerechten Aggregattypen 1, 2 und 3 sind die Befestigungsschrauben der Frontseite zu entfernen (**Bild 11-5**), dann ziehen Sie das Blech soweit ab, daß Sie mit einer Hand die Erdverbindung zwischen Blech und Aggregat lösen können (**Bild 11-6 und 11-7**). Danach entfernen Sie die Verkleidung (**Bild 11-8**). Beim späteren Zusammenbau verfahren Sie in umgekehrter Reihenfolge.

Die Wartung beschränkt sich hauptsächlich auf die Reinigung des Verflüssigers, die wie folgt beschrieben vorgenommen werden soll: Die beste, aber nicht immer mögliche Methode ist das Ausblasen des Verflüssigers, von innen nach außen, zur Entfernung der Schmutz oder Staubablagerungen. Ist diese Möglichkeit nicht gegeben, so soll der Verflüssiger mit einem langhaarigem, weichen Pinsel von außen gereinigt werden. Benutzen Sie niemals irgendwelche Flüssigkeiten zur Reinigung! (**Bild 11-9**). Um stets eine gute Funktion zu gewährleisten, ist der Verflüssiger wöchentlich oder auch in kürzeren Zeitabständen zu reinigen. Bedenken Sie, daß ein verschmutzter Verflüssiger die Aggregatleistung reduziert und den Stromverbrauch ansteigen läßt!

Wassergekühlte Verflüssiger sind, je nach Wasserhärtegraden oder bei Kühlturmwasser auch, je nach Algenbefall, mehr oder weniger häufig zu reinigen. Fachpersonal kann Ihnen hier mit Rat und Tat zur Seite stehen. Beachten Sie aber in jedem Fall, daß die eingesetzten Reinigungsmittel die Rohrwände angreifen und dementsprechend richtig dosiert werden, auch zeitlich!

Die Reinigung der Tauwasserabflußleitungen sollte mittels Wasserstrahl, vermischt mit einem fettlösenden Mittel erfolgen. Bei fetthaltigem und aromatischem Lagergut, sind diese Spülungen monatlich durchzuführen.

Bleiben nach der Abtauphase des Verdampfers Eisreste zwischen den Verdampferlamellen haften, so ist der Abtauzyklus zu erhöhen. Die vorhandenen Eisreste entfernen Sie mit Warmwasser, vergewissern Sie sich aber, daß die gesamten Eisreste geschmolzen sind, da evtl. Eisreste sonst sofort eine neue Vereisung hervorrufen und Luftdurchsatz durch den Verdampfer und den Tauwasserabfluß blockieren (Ausfall des Kältesystems!).

Achten Sie darauf immer „umweltfreundliche Reinigungsmittel“ einzusetzen.

Störungsursachen:

Achtung: Im Störfall, bei Einsatz einer elektronischen Steuerung, kontrollieren Sie zuerst die Eingabewerte, lesen Sie das Informationsheft: "Elektronische Steuerung".

Die elektronische Schalttafel ist mit einem inneren Alarmsystem ausgerüstet, das den Alarm direkt an die Sonden weitergibt. Schaltungen der Druckwächter, sowie falsche Einstellungen werden auf dem Bildschirm in Codenummern angezeigt. Alle Anzeigen auf dem Bildschirm, ausgenommen die des Alarms, der Temperaturanzeige oder der, der programmierten Werte, zeigen bei Erscheinen von "dEF" an, daß die elektronische Schalttafel defekt ist und ausgetauscht werden muß. Fehler dieser Art sind auf elektrische Störungen zurückzuführen, die den Mikroprozessor beeinflussen. Lesen Sie bitte unbedingt Kapitel 4, "Elektrischer Anschluß".

Fehler 1

(Aggregate mit elektronischer Steuerung) Nach Anschließen der Zuleitung und Drücken der Taste „ON/OFF“, bleibt die elektronische Schalttafel ohne Anzeige.

GRUND und ABHILFE

- a) Es liegt keine Spannung an oder der Spannungsnominalwert liegt nicht in den tolerierten Grenzen. Vergewissern Sie sich, daß die auf dem Typenschild angegebene Spannung mit der wirklichen übereinstimmt.
- b) Der Spannungsmonitor führt gerade den Count-down durch, (Abschnitt 7-Inbetriebnahme). Warten Sie etwa 10 Minuten, hat sich der Umstand nicht normalisiert, so kontrollieren Sie die Zuleitungssicherungen.
- c) Die elektronische Schalttafel liegt an der richtigen Spannung an, aber das Aggregat kann nicht in Betrieb genommen werden.
Die Leitung zwischen Schaltkasten und Schalttafel ist unterbrochen, stellen Sie den Anschluß wieder her. Wenn die Schalttafel beschädigt ist, tauschen Sie diese aus.

Fehler 2

(Aggregate mit elektronischem Temperaturregler) Nach Anschluß der Zuleitung und eingeschaltetem Schalter, leuchtet die Kontrollampe im Schalter nicht auf und das Aggregat läuft nicht an.

GRUND und ABHILFE

- a) siehe 1a.
- b) Der Hauptschalter ist beschädigt und muß ausgetauscht werden.

Fehler 3

(Aggregate mit elektronischem Temperaturregler) Nachdem der Hauptschalter eingeschaltet wurde, leuchtet die Kontrolllampe auf, jedoch das Aggregat läuft nicht an.

GRUND und ABHILFE

- a) siehe 1a.
- b) Die Sicherung des Hilfsstromkreises ist durchgebrannt, wechseln Sie diese aus.
- c) siehe 1b.
- d) Der Transformator der elektronischen Schalttafel ist beschädigt, wechseln Sie den Trafo aus.
- e) Die elektronische Schalttafel ist beschädigt, wechseln Sie diese aus.

Achtung: Sollten Unregelmäßigkeiten in der Steuerung und Überwachung durch die elektronische Schalttafel auftreten, so ist diese in jedem Fall auszuwechseln.

Fehler 4

Die elektronische Steuerung ist eingeschaltet, das Led des Motorverdichters blinkt, aber der Verdichter läuft nicht an.

GRUND und ABHILFE

- a) (Aggregate mit elektronischer Steuerung) Der Count down der Motorverdichter Schutz Einrichtung läuft, warte Sie einige Minuten ab. Läuft das Aggregat nicht an, kontrollieren Sie die Anschlüsse und Funktion des Türmikroschalters und vergewissern Sie sich, dass die Kühlzellentür gut schließt.

Fehler 5

(Aggregate mit elektronischer Steuerung) Das Alarm-Led leuchtet, das Aggregat funktioniert ohne spezifische Angabe auf der elektronischen Schalttafel.

GRUND und ABHILFE

- a) Der Druckwächter hat angesprochen. Läuft das Aggregat nach Herstellung der normalen Betriebsbedingungen nicht an, kontrollieren Sie die Funktion des Druckwächters. Bei Aggregaten die mit einem Tiefdruckwächter ausgerüstet sind, kontrollieren Sie ob die Anlage ein Kältemittelleck hat und beseitigen Sie dies.

Fehler 6

Der Motorverdichter läuft nicht an, obwohl das entsprechende Led leuchtet.

GRUND und ABHILFE

Einschub- und Bi Blockgeräte Typen 4 und 5:

- a) Die Sicherungen des Motorverdichters sind durchgebrannt, wechseln Sie diese aus und vergewissern Sie sich, dass kein Motorschaden des Verdichter Motors vorliegt.

Aggregate mit elektronischem Temperaturregler:

- a) Der Druckwächter hat angesprochen, siehe 5 a.
- b) Störung der Stromzufuhr zum Motorverdichter (nur bei Einphasenmotoren), kontrollieren Sie das Anlaufrelais, die Kondensatoren und den Klixon, bei Defekt tauschen Sie die Teile aus.

Einschub- und Bi Blockgeräte Typen 4 und 5:

- c) Der Thermistor des Verdichter Motors hat angesprochen, kontrollieren Sie alle Sicherungen des Verdichter Motors und wechseln Sie die defekten aus.
Vergewissern Sie sich, dass der Wert der Netzspannung im Toleranzbereich liegt, die Kontakte des Motorschützes in Ordnung sind.
Kontrollieren Sie, siehe 6 c.
Kontrollieren Sie die Verflüssiger Lüfter, den evtl. eingebauten Druckschalter für die Lüfter Schaltung und den evtl. eingebauten Lüfterdrehzahlregler auf ihre Funktion.
Bei einem Defekt, tauschen Sie die Teile aus.
Vergewissern Sie sich ebenfalls, dass der Verflüssiger sauber ist, sonst ist er laut Abschnitt „Wartung“ zu reinigen.
Suchen Sie das Aggregat nach einem Kältemittelleck ab und beseitigen Sie es gegebenenfalls.

Fehler 7

Wird der Lichtschalter der Kühlzellenbeleuchtung betätigt, so schaltet sich zwar die Kontrolllampe ein, jedoch nicht die Beleuchtung.

GRUND und ABHILFE

- a) Die Sicherung des Stromkreises ist durchgebrannt, wechseln Sie diese aus.
- b) Die Lampe in der Kühlzelle ist durchgebrannt, wechseln Sie diese aus, max 60 Watt.
Tauschen Sie die defekten Teile aus.

Fehler 8

Das Aggregat ist in Betrieb, jedoch die Türrahmenheizung funktioniert nicht.

GRUND und ABHILFE

- a) Die Sicherung des Stromkreises ist durchgebrannt, wechseln Sie diese aus.
Vergewissern Sie sich, daß die Leistungsaufnahme der Heizung, 200 Watt nicht überschreitet.
- b) Die Türrahmenheizung ist schadhaft, wechseln Sie diese aus.

Fehler 9

Trotz Dauerlauf des Motorverdichters, erreicht die Kühlzelle die gewünschte Temperatur nicht.

GRUND und ABHILFE

- a) Kältemittelmangel. Suchen Sie die Anlage nach Lecks ab und beseitigen Sie diese, danach füllen Sie Kältemittel auf.
- b) Das Umschaltventil „hängt“ und stellt so einen Kältekreislaufkurzschluß her (Einschubaggregattypen 4 und 5). Wechseln Sie das Ventil aus.
- c) Defekter Startregler (nur bei Tiefkühlaggregaten), tauschen Sie das Teil aus.
- d) Hohe Verflüssigungstemperaturen; reinigen Sie den Verflüssiger.

Achtung: Kontrollieren Sie die Betriebs – und Aufstellungsbedingungen!

Fehler 10

Der Verdampfer ist nur unregelmäßig bereift.

GRUND und ABHILFE

- a) Kältemittelmangel, untersuchen Sie die Anlage auf Lecks, beseitigen Sie diese und füllen Sie Kältemittel nach.
- b) Der Luftdurchsatz durch den Verdampfer ist unregelmäßig oder behindert, kontrollieren Sie die Verdampferlüfter auf ihre Funktion hin und wechseln Sie diese gegebenenfalls aus. Vergewissern Sie sich ebenfalls, daß der Lufteintritt und der Luftaustritt des Verdampfers nicht durch Ware „verbaut“ ist.
- c) Bi Blockgeräte Typen 4 und 5. Das thermostatische Expansionsventil regelt nicht richtig.
Öffnen Sie das Ventil in kleinen Schritten (max 1 Umdrehung zur Zeit), bis der Verdampfer voll bereift.

Fehler 11

Der Verdampfer wird nicht vollkommen abgetaut, -Eisreste-.

GRUND und ABHILFE

- a) Der Einsatzbereich des Aggregates weicht vom „normalen Einsatzbereich ab. Erhöhen Sie die Zahl der Abtauzyklen und auch die Temperatur der Abtaubegrenzung. Entfernen Sie in jedem Fall alle Eisreste vom Verdampfer!!!
- a) Bei starker Vereisung des Verdampfers kann der Grund auch an folgenden Steuer- und Kreislaufkomponenten liegen:
 - a. Abtauzeitsteuerung,
 - b. Magnetventil der Abtausteuerung,
 - c. Umschaltventil für die Abtausteuerung,
 - d. elektrische Abtauheizungen.Stellen Sie einen Fehler fest, tauschen Sie das entsprechende Teil aus.

Fehler 12

Um die Verdampferlüfter baut sich Eis auf.

GRUND und ABHILFE

- a) Durch das Tauwasserabflußrohr tritt Warmluft in den Verdampfer ein, kontrollieren Sie, ob außerhalb der Kühlzelle ein Siphon im Abflußrohr installiert wurde, wenn nicht, bauen Sie einen Siphon ein.
- b) Kondenswasser setzt sich während der Abtauphase am Lüfterleitblech fest, setzen Sie die Abtaubegrenzungstemperatur herab und erhöhen Sie die Abtropfzeit.

Fehler 13

An der Kühlzellendecke vor dem Verdampfer formt sich Kondenswasser oder Eis.

GRUND und ABHILFE

- a) Während der Abtauphase entsteht zuviel Wasserdampf, die Verdampferlüfter laufen wieder zu früh an, setzen Sie die Abtaubegrenzungstemperatur herab und die Verzögerungszeit des Lüfteranlaufs herauf.

Fehler 14

Wasser tropft und es hat sich Eis unter der Tauwasserauffangschale des Verdampfers gebildet.

GRUND und ABHILFE

- a) Der Tauwasserabfluß ist durch Eis blockiert, da die Abflußheizung nicht funktioniert. Kontrollieren Sie den Heizungsstromkreis, ersetzen Sie gegebenenfalls die Heizung.
- b) Der Abfluß ist verstopft; reinigen Sie diesen, siehe auch Abschnitt „Wartung“.
- c) Die Bandschellen der Rohrverbindungen haben sich gelöst; ziehen Sie diese wieder an.
- d) Die Tauwasserschale wurde bei der Montage verbogen oder beschädigt; bei leichtem Schaden reparieren Sie diese, sonst tauschen Sie die Tauwasserschale aus.

** Sollten Schwierigkeiten in der Funktion des Aggregates auftreten, so vergewissern Sie sich bitte zuerst, ob ein Grund dafür die mangelnde oder mangelhafte Wartung ist. Ist dies nicht der Fall, rufen Sie unsere Kundendienststelle an. Bei Austausch defekter Teile, verwenden Sie in jedem Fall nur Original-Ersatzteile. Eine Ersatzteilliste erhalten Sie auf Anfrage, direkt von unserer Werksvertretung.*

** Lassen Sie das Aggregat, regelmäßig alle 6 Monate, durch unseren Kundendienst kontrollieren.*

** Wenn das Aggregat „außer Dienst“ gestellt wird, ist es vorschriftsmäßig zu entsorgen!*

Les données concernant le constructeur sont indiquées sur la plaquette d'identification de l'unité, qui est placée sur le côté droit de l'unité de condensation.

La documentation concernant les unités se compose du:

- Mode d'emploi;
- Manuel des instruments;
- Schéma électrique avec légende;
- Schéma frigorifique avec légende;

Pour l'utilisation correcte des unités réfrigérantes, lisez attentivement ce manuel et suivez les indications. Le fabricant décline toute responsabilité pour les dommages causés par une mauvaise manipulation stipulée dans ce manuel.

Il faut tenir avec soin ce manuel pour toute consultation ultérieure.

La reproduction totale ou partielle de ce manuel sans l'autorisation écrite du constructeur est interdite.

Celui-ci se réserve le droit d'apporter à tout moment les changements qu'il jugera nécessaires.

Le manuel se divise en différentes parties, concernant les sujets suivants:

- INSTRUCTIONS GÉNÉRALES
- INSTALLATION
- BRANCHEMENT FRIGORIFIQUE
- BRANCHEMENT ÉLECTRIQUE
- BRANCHEMENT HYDRIQUE
- DESCRIPTION DE L'UNITÉ
- MISE EN MARCHÉ
- EMPLOI
- DISPOSITIFS DE CONTRÔLE
- DISPOSITIFS DE PROTECTION ET DE SÉCURITÉ
- NETTOYAGE, MAINTENANCE ET PANNES




Données techniques		
	Côté basse pression (LP)	Côté haute pression (HP)
PS	16,5 bar	29,5 bar
TS	-40°C / +50°C	-25°C / +65°C

INSTRUCTIONS GÉNÉRALES

- L'unité est construite conformément aux normes des Directives 73/23/CEE (Basse tension), 89/336/CEE (Compatibilité électromagnétique) et modifications suivantes.
- Lire attentivement les étiquettes placées sur l'unité, ne les couvrir en aucun cas et les remplacer immédiatement au cas où elles seraient endommagées.
- Ne laisser pas des matériaux inflammables à proximité de l'unité.
- Ne pas enlever les protections ou les panneaux qui peuvent être enlevés seulement à l'aide d'outils.
- Ne pas utiliser l'unité dans des lieux soumis à un risque d'explosion.
- Ne pas laver l'unité en utilisant des jets d'eau haute pression ou des substances dangereuses.
- Ne pas poser des récipients contenant des liquides sur l'unité.
- Ne pas exposer l'unité à des sources de chaleur ou d'humidité.
- Ne pas endommager le câble d'alimentation en le pliant, en l'écrasant ou en le sollicitant.
- Ne pas utiliser l'unité si le câble d'alimentation est endommagé.
- L'unité ne produit pas de vibrations nuisibles à toute personne physique.
Dans des conditions normales l'unité ne produit pas de vibrations nuisibles pour le milieu environnant. Les vibrations les plus fortes sont produites par le compresseur; c'est pour cette raison que tous les compresseurs installés sur nos unités sont équipés de supports anti-vibratoires (silent block ou autres systèmes semblables) et sont connectés au circuit frigorifique par des tuyauteries flexibles.
- Ne pas fermer le robinet d'interception hydrique lorsque l'unité est en marche.
- Faire attention aux enfants ou aux autres personnes qui pourraient se trouver dans la zone de travail.
- En cas d'incendie, utiliser un extincteur à poudre.
- En cas de problèmes imprévus pendant le travail, déconnecter immédiatement l'interrupteur général placé sur le panneau électrique de l'unité.

Portez l'unité dans le lieu où elle sera utilisée, en vérifiant que tous les détails nécessaires à l'installation aient été préparés: les trous dans les parois pour les unités ou pour les tuyaux d'écoulement, la ligne électrique d'alimentation, les éventuels raccords pour la ligne d'alimentation hydrique.

La plaquette d'identification de l'unité se trouve sur le côté droit de l'unité de condensation, dans le coin en haut à gauche.

		CE	
		YEAR	
Serial N.	???????????	Model	??????????????????
Voltage	???????????????	Refrigerant	??????????
		kg.	??????
Compressor	?????????????????	Model	?????????????????
Ps	???????????	TS	?????????????????
	??????????		??????????
			??????????

INSTALLATION

L'installation doit être effectuée par le personnel qualifié, possédant les qualités requises établies par le pays où l'unité est installée.

Procédez à l'installation en suivant les dessins des schémas de montage (Voir les schémas a-z2) et les indications suivantes:

- **Unités en paroi:** En utilisant le chariot élévateur mettez l'unité à la hauteur du trou d'installation, puis introduisez-la dans le lieu prédisposé; quand l'unité sera dans sa position définitive, faites des trous à la hauteur des supports d'arrêt (**fig. 2-1**) et pour finir appliquez les vis fournies (**fig. 2-2**). Pour les unités formes 4 et 5, après avoir fait les trous pour l'installation (**fig. 2-3**), montez les boulons, les écrous, les rondelles et les plaques d'appui, fournis avec l'unité (**fig. 2-4**). Injectez du polyuréthane ou un autre matériel isolant dans la fente entre le périmètre du trou dans la paroi de la chambre froide et le tampon de l'unité.
- **Unités à cheval:** Contrôlez que le plafond de la chambre n'ait pas été installé, puis mettez l'unité à la hauteur des trous d'installation et placez-la dans la position prédisposée; quand l'unité sera dans sa position définitive, installez le plafond de la chambre, faites des trous à la hauteur des supports d'arrêt (**fig. 2-1**) et appliquez les vis fournies (**fig. 2-2**). Dévissez les entretoises situées sur le côté évaporateur et desserrez l'écrou jusqu'à ce que la base s'appuie à la paroi de la chambre (**fig. 2-5**), puis vissez l'écrou jusqu'à ce que l'évaporateur soit à niveau (**fig. 2-6**). Branchez le tuyau d'écoulement après l'avoir fait passer dans le trou fait dans la paroi de la chambre; ensuite insérez-le dans le raccord en plastique qui se trouve sur le dos de l'unité de condensation (**fig. 2-7**). Injectez du polyuréthane ou un autre matériel isolant dans les fentes autour des supports de l'évaporateur.
- **Unités plafonnrières:** En utilisant le chariot élévateur mettez l'unité à la hauteur du trou d'installation, puis introduisez-la dans le lieu prédisposé. Enlevez le câble de levage et conservez-le pour pouvoir éventuellement l'utiliser ensuite. Injectez du polyuréthane ou un autre matériel isolant dans la fente entre le périmètre du trou sur le plafond de la chambre et le tampon de l'unité.
- **Unités Split y Bi Block:** Mettez l'unité d'évaporation dans la position définitive avec le chariot élévateur, faites des trous dans le plafond à la hauteur des trous sur les profilés d'appui de l'unité (**fig. 2-8**). Fixez l'évaporateur au plafond en utilisant une méthode appropriée: barres filetées débouchantes, comme celles fournies (**fig. 2-9**), ou vis tamponnées ou autre chose, selon la structure du plafond de la chambre froide. Injectez du matériel isolant près des trous faits sur le plafond.
Fixez les vis tamponnées (crochets) fournies avec l'unité à la paroi où l'on installera l'unité de condensation des unités formes 1, 2 et 3 (pour les mesures, voir le schéma de montage). Mettez l'unité de condensation dans sa position définitive, en l'accrochant aux crochets que l'on vient de fixer, faisant en sorte que ces derniers s'emboîtent parfaitement dans les fentes situées sur le dos de l'unité de condensation (**fig. 2-10**).
Pour l'installation des unités de condensation formes 4 et 5, suivre les instructions concernant l'installation des unités en paroi de la même forme (**fig. 2-3** et **2-4**). L'unité de condensation horizontale ne nécessite d'aucune fixation.
- **Unités de Condensation:** Voir les indications concernant l'installation des unités de condensation des modèles Split.

NB: pour utiliser au mieux l'unité de condensation, on conseille de la brancher à une unité d'évaporation, après avoir demandé au distributeur le modèle correspondant exact. Si, par contre, on installe un évaporateur de marque ou modèle différent, l'installateur doit vérifier si les caractéristiques techniques de ce dernier s'adaptent au dimensionnement prévu par le fabricant de l'unité de condensation; dans le cas contraire, on peut apporter les modifications nécessaires, mais seulement après avoir consulté le fabricant.

- **Unité d'évaporation:** Voir les indications concernant l'installation des unités d'évaporation des modèles Split.

NB: pour utiliser au mieux l'unité d'évaporation, on conseille de la brancher à une unité de condensation, après avoir demandé au distributeur le modèle correspondant exact. Si, par contre, on installe un condenseur de marque ou modèle différent, l'installateur doit vérifier si les caractéristiques techniques de ce dernier s'adaptent au dimensionnement prévu par le fabricant de l'unité d'évaporation; dans le cas contraire, on peut apporter les modifications nécessaires, mais seulement après avoir consulté le fabricant.

**En cas d'installation de l'unité dans une chambre froide située dans un lieu fermé,
assurez-vous que le milieu soit bien aéré.**

NB: Contrôlez que la paroi et le plafond auxquels l'unité sera fixée puissent en soutenir le poids, indiqué sur le tableau correspondant (**tab. 1**).

NB: Rappelez-vous que, pour tout déplacement de l'unité, il vaut mieux la soulever; il ne faut jamais la pousser ou la traîner.

- **Douille lumière chambre:** ouvrez la douille en desserrant les vis (**fig. 2-11**), faites des trous dans les points indiqués (**fig. 2-12**), puis fixez, en utilisant les vis fournies ou un autre système approprié, la base de la douille à la paroi de la chambre (**fig. 2-13**), suffisamment près de l'unité (distance maximum 1,5 m), de façon à ne pas avoir à rallonger le câble correspondant. Après avoir connecté le câble (voir paragraphe "BRANCHEMENT ÉLECTRIQUE"), vissez la lampe et fermez la douille.
- **Panneau séparé:** Ouvrez le tableau, desserrez les vis qui se trouvent dans les coins ou sur les côtés du panneau frontal (**fig. 2-14**); pour quelques modèles de panneau séparé, il est nécessaire de faire des trous dans les petites cavités rondes au fond de la boîte, près des coins, (**fig. 2-15**) et dont le centre coïncide avec le centre des pieds d'appui qui se trouvent sur la partie arrière. Fixez le tableau avec une méthode appropriée (vis autotaraudeuses, vis tamponnées etc.) en utilisant les trous déjà faits (**fig. 2-16**); pour certains modèles, on fournit des petits bouchons servant à fermer les cavités susmentionnées (**fig. 2-17**). Effectuez les connexions électriques nécessaires (voir paragraphe "BRANCHEMENT ÉLECTRIQUE") et refermez le panneau.

BRANCHEMENT FRIGORIFIQUE

Les opérations de branchement frigorifique doivent être effectuées par le personnel qualifié, possédant les qualités requises établies par le Pays où l'unité est installée.

Pour effectuer ce branchement, nécessaire pour les modèles Split et Bi Block, il faut utiliser les tuyaux fournis avec l'unité ou bien ceux qui sont indiqués sur le **tableau 2**.

Généralement pour l'installation des tuyaux, il faut d'abord les positionner, puis brancher les raccords à accouplement rapide.

Pendant l'installation du tuyau d'aspiration, rappelez-vous que ce tuyau doit descendre en pente douce vers le compresseur (**fig. 3-1**). S'il devait y avoir des traits montants, on devrait réaliser un ou plusieurs siphons (**fig. 3-2**) avant le trait vertical pour faciliter le retour de l'huile vers le compresseur; il est très important que les siphons n'aient pas des courbures ou des creux trop accentués, surtout quand la section du tuyau est très grande (**fig. 3-3**). En ce qui concerne le tuyau de refoulement du liquide, il n'y a aucune précaution particulière à prendre, sauf qu'en ce qui concerne l'aspect esthétique et la fonctionnalité; pour cette raison, ce tuyau est normalement placé à côté de celui d'aspiration, naturellement sans qu'il soit nécessaire de réaliser des siphons (**fig. 3-3**). En outre rappelez-vous que le tuyau d'aspiration doit être enveloppé avec du matériel isolant et que les deux tuyaux doivent être fixés à la paroi à côté des courbes, des soudures et tous les 1,5-2 mètres sur les traits rectilignes (**fig. 3-4**).

Après avoir positionné les tuyaux, il faut brancher les raccords. Au cours de cette opération, faites attention à ce que le tuyau de branchement soit toujours perpendiculaire par rapport à la surface à laquelle est appliqué le raccord fixe; de toute façon, avant de serrer solidement le raccord, contrôlez que le filet se coince de façon correcte. Si le raccord est constitué d'une bride à souder, il faut enlever la partie mobile du raccord, et ensuite le souder au tuyau. Fixez à nouveau les 2 parties du raccord en interposant la garniture. (Modèles Bi Block) Après avoir terminé le branchement des tuyaux, vous devez créer le vide dans ceux-ci et dans l'évaporateur (le groupe compresseur, condenseur et réservoir à liquide sont déjà sous pression du gaz). Après cela on peut ouvrir les soupapes de sortie du réservoir à liquide et d'aspiration du compresseur, en mettant ainsi sous pression toute l'installation. Quand la machine est en marche, on peut vérifier s'il faut rajouter de l'huile ou du gaz dans l'installation.

BRANCHEMENT ÉLECTRIQUE

Les opérations de branchement électrique doivent être effectuées par le personnel qualifié, possédant les qualités requises établies par le Pays où l'unité est installée.

Vérifiez que la tension sur la ligne corresponde à celle qui est indiquée sur la plaquette fixée au câble d'alimentation de l'unité. Le câble d'alimentation doit être bien déplié (évités tout enroulement ou superposition); en outre il doit être placé dans un lieu non exposé à d'éventuels chocs ou endommagements de la part des mineurs, ou près de liquides, d'eau et de sources de chaleur; il ne doit pas être endommagé (s'il l'était, il devrait être remplacé par une personne qualifiée). Utilisez des câbles d'alimentation de même type et section conseillés par le fabricant (**voir tab. 3**). En cas de remplacement du câble d'alimentation, assurez-vous que l'unité soit à l'abri de l'eau.

L'installation d'alimentation électrique doit être dotée de disjoncteur différentiel ou d'interrupteur automatique général doté d'une prise de terre efficace. S'il n'y avait aucune sureté électrique, un interrupteur omnipolaire, dont la distance d'ouverture des contacts doit être égale ou supérieure à 3 mm, doit être installé par une personne qualifiée conformément aux normes de sécurité en vigueur. Le fabricant décline toute responsabilité, si ces normes contre les accidents ne sont pas respectées.

Pour les modèles Split on doit réaliser un branchement entre l'unité de condensation et l'évaporateur; le câble à utiliser dont les caractéristiques sont indiquées dans le tableau correspondant (**tab. 3**), est celui qui sort du côté gauche de l'unité de condensation.

Pour les modèles Bi Block, on doit réaliser un branchement entre l'unité de condensation et l'évaporateur; le câble à utiliser (qui n'est pas fourni) est indiqué dans le **tableau 3**.

Le branchement de l'évaporateur Split doit être effectué de la façon suivante:

Enlevez les vis qui se trouvent sur le côté avant du bac (**fig. 4-1**), de telle façon que, pivotant sur les vis qui se trouvent sur le côté arrière, la partie à laquelle sont fixés les ventilateurs puisse être ouverte (**fig. 4-2**). Enlevez le couvercle de la boîte à connexions (**fig. 4-3**), faites passer les câbles aussi bien à travers les presse- câbles qui se trouvent de côté qu'à travers ceux qui se trouvent sur la boîte à connexions (**fig. 4-4**), puis effectuez le branchement en respectant les numéros indiqués sur les fils et sur les étiquettes du serre-câble. Serrez les presse-câbles de façon que les câbles à l'intérieur de l'évaporateur soient bien tendus, fermez la boîte à connexions et enfin refermez la structure de l'évaporateur et remettez les vis précédemment enlevées à leur place.

Le branchement de l'évaporateur Bi Block Horizontal forme 1, 2, 3a, doit être effectué en suivant les instructions pour le branchement de l'évaporateur Split.

Après avoir branché l'évaporateur, branchez l'unité de condensation de la façon suivante:

ôtez le panneau frontal de l'unité (**fig. 4-14**). Ouvrez le tableau électrique. Faites passer les câbles dans les presse-câbles situés sur le côté droit de l'unité de condensation et du tableau (**fig. 4-15**), puis effectuez le branchement en respectant les numéros indiqués sur le serre-fils. Refermez le tableau électrique et remettez le panneau frontal à sa place.

Le branchement de l'évaporateur Bi Block et Bi Block Horizontal forme 3b, 4, 5, doit être effectué de la façon suivante:

Enlevez le côté droit de l'évaporateur (**fig. 4-5**) et ouvrez la boîte des connexions électriques (Au cas où le boîtes seraient plus d'une, la boîte des connexions est toujours celle qui est placée en bas). Ouvrez le tableau électrique sur l'unité de condensation (pour les unités forme 6 il faut par contre ouvrir le panneau placé en bas sur le côté gauche de l'unité, puis il faut ouvrir les boîtes en plastique). Passez les câbles à travers les gaines de protection (**fig. 4-6**), ensuite effectuez le branchement en respectant les numérotages indiquées sur les serre-câbles du tableau électrique de l'unité de condensation et de la boîte des connexions de l'évaporateur, comme indiqué dans le schéma électrique.

Câble lumière chambre (fourni pour toutes les unités, à l'exception des unités Split, Bi Block et des Condensation): il doit être branché, en respectant les polarités, à la douille fournie, qui devrait déjà être positionnée (voir paragraphe "INSTALLATION"). La lampe fournie doit être insérée dans la douille; en cas de remplacement, utilisez une lampe à incandescence ayant une puissance maximum de 60W. On peut brancher au câble une charge maximum de 200W.

NB: Le câble reçoit la tension du panneau de l'unité; ne pas brancher à une source d'alimentation externe.

Câble résistance porte (uniquement sur les unités pour basse température): il sert à alimenter la résistance qui se trouve généralement à l'intérieur du bourrelet des portes pour les chambres qui marchent en basse température. Il peut également être utilisé pour alimenter la soupape de compensation dont la chambre pourrait être équipée; l'important, c'est de ne pas dépasser la charge maximum du câble, qui est de 200W. Pour le branchement, il faut respecter les polarités.

NB: Le câble reçoit la tension du panneau de l'unité; ne pas brancher à une source d'alimentation externe.

Câble micro-interrupteur porte (uniquement sur les unités dotées de platine électronique): il est prédisposé pour le branchement d'un micro-interrupteur, qui sera éventuellement installé par l'utilisateur sur la porte de la chambre. En effectuant ce branchement, on peut faire en sorte que, automatiquement, lorsqu'on ouvre la porte de la chambre, la platine règle l'allumage de la lumière et l'arrêt des ventilateurs ou de toute l'unité. Il est en outre possible de sélectionner ces fonctions en programmant les paramètres de la platine électronique elle-même. Les deux pôles du câble doivent être branchés au contact du micro-interrupteur qui est fermé lorsque la porte est fermée. Si aucun micro-interrupteur n'est branché, les deux fils doivent être laissés branchés entre eux. Sur les unités Split et Bi Block, il n'y a pas de câble sortant de la machine, mais la platine est prédisposée pour le branchement.


NB: Le câble reçoit la tension du panneau de l'unité; ne pas brancher à une source d'alimentation externe.


- **Unités de Condensation:** sur le serre-câble qui se trouve dans la partie arrière du panneau électrique on peut installer un thermostat (ou n'importe quel autre instrument) contrôlant le fonctionnement de l'unité. Pour effectuer ce branchement, il faut suivre les indications suivantes: enlevez les vis du panneau frontal (**fig. 4-7**), enlevez le panneau frontal après avoir débranché le fil de terre (**fig. 4-8**), enlevez les vis servant à fixer le panneau électrique (**fig. 4-9**), ôtez le panneau de son emplacement (**fig. 4-10**), posez-le de façon à pouvoir accéder à la protection fixée sur la partie arrière (**fig. 4-11**), enlevez les vis servant à fixer cette protection (**fig. 4-12**), enlevez la protection en plastique et ôtez le pont entre les bornes marquées du sigle "ne" (**fig. 4-13**) et, à sa place, branchez le contact du thermostat. Répétez toutes ces opérations dans l'ordre inverse jusqu'à rétablir les conditions initiales. Dans quelques modèles, surtout des unités de condensation horizontales, le serre-câble se trouve à l'intérieur du panneau électrique
- **Unités d'évaporation:** voir description du branchement de l'évaporateur des modèles Split.

Le branchement du câble d'alimentation de l'unité doit être fait en respectant la couleur des fils.

Si l'unité est livrée avec panneau de commande séparé, ce dernier est doté de câbles et est déjà branché. Si, pour les unités spéciales, le panneau n'est pas branché, effectuer les branchements en respectant le schéma électrique et les numéros des bornes et des câbles.

NB: afin de limiter les dommages provoqués par les dérangements électriques, on conseille de positionner le câble lumière chambre, le câble du panneau séparé et le câble des sondes loin des câbles supportant une puissance élevée. En tout cas, il faut empêcher que ces câbles se croisent avec les câbles de puissance. Si l'unité est alimentée par un générateur de tension, vérifiez que le signal soit parfaitement sinusoïdal; une onde irrégulière pourrait provoquer des dérangements qui endommageraient l'instrument électronique.

Chaque fois que l'on effectue un branchement entre l'unité de condensation et l'unité d'évaporation ou un branchement du panneau séparé, il faut effectuer le branchement à la terre; à cette fin, à côté des serre-câbles, on trouve une vis ou une borne avec le symbole , à laquelle doit être branché le conducteur de terre.

Le branchement à la terre de l'installation est obligatoire. De plus, l'unité doit être insérée dans un système équipotentiel. Le branchement est effectué au moyen d'une borne marquée par le symbole  placé à côté de l'entrée du câble de ligne de l'unité.

BRANCHEMENT HYDRIQUE

Ce paragraphe traite des branchements des condenseurs à eau (seulement pour les unités qui en sont équipées) et des tuyaux d'écoulement de l'eau de condensat. Pour le branchement des condenseurs on doit utiliser des tuyaux ayant un diamètre de 3/8" (sauf pour les unités formes 4 et 5, pour lesquelles le diamètre des tuyaux est de 5/8"); ces tuyaux doivent être connectés, en respectant les indications d'entrée et de sortie, aux raccords coniques spéciaux; ensuite ces raccords doivent être vissés solidement pour en garantir l'étanchéité. Mettez le robinet d'interception de la ligne d'alimentation hydrique à la portée de l'utilisateur. Pour améliorer le rendement et la durée de l'unité, vérifiez si:

- la température de l'eau est comprise entre 20 et 30°C pour les unités avec condensation par eau de tour et entre 5 et 20°C pour les unités avec condensation par eau de puits;
- la pression de l'eau est comprise entre 1 et 5 bar.

Les tuyaux d'écoulement doivent être branchés dans les points suivants:

- **Unités en paroi et à cheval**, sous l'unité de condensation, sur le côté droit (**fig. 5-1**)
 - **Unités en paroi formes 4 et 5** sous l'unité de condensation, dans le point central près de la paroi (**fig. 5-2**)
 - **Unités plafonnères dans lesquelles l'eau d'écoulement est perdue**, sur l'évaporateur, en utilisant le tuyau qui se trouve sur la partie avant ou inférieure du bac (**fig. 5-3**)
 - **Unités plafonnères avec bac d'évaporation de l'eau de condensation** côté condenseur, sous la batterie de condensation (**fig. 5-4**)
 - **Split, Bi Block et Unités d'évaporation**, sur l'évaporateur, en utilisant le raccord fixé à la base du bac (**fig. 5-5**).
- Le tuyau d'écoulement de l'eau doit descendre avec une pente de 3 cm minimum pour chaque mètre de longueur.
- Pour les modèles dans lesquels l'eau d'écoulement est perdue, on doit préciser que le trait du tuyau d'écoulement dans la chambre froide doit être le plus court possible et il faut garantir une inclinaison dépassant même celle qu'on vient d'indiquer: cela permettra d'éviter la formation de glace.
- Pour tous les modèles ne disposant pas de bac d'évaporation de l'eau, il faut réaliser un siphon sur le trait d'écoulement au-dehors de la chambre froide (**fig. 5-6**); en outre, si la température du lieu d'installation descend au-dessous de 0°C, il faut isoler le tuyau d'écoulement.

NB: Une mauvaise installation peut provoquer des dommages aux choses et aux personnes, pour lesquels le fabricant ne peut pas être considéré responsable.

DESCRIPTION DE L'UNITÉ

Les dispositifs principaux sont indiqués dans la **fig. 6-A**.

Description des commandes et des instruments sur le panneau frontal du tableau électrique (**fig. 6-B**).

6-1 - Appareillage électronique (platine ou instrument): les instructions spécifiques se trouvent dans le mode d'emploi en annexe.

6-2 - Interrupteur général (dans les unités avec platine électronique, il est installé sur le clavier): il sert à alimenter le circuit auxiliaire.

6-3 - Interrupteur lumière chambre (dans les unités avec platine électronique, il est installé sur le clavier): il sert à alimenter le câble qui doit être connecté à la lampe permettant l'éclairage de la chambre.

MISE EN MARCHÉ

- Before actuating the main switch make sure that the unit is provided with compressor preheating system. In this case, to execute the preheating the unit is to be supplied, even though the main switch has not to be switched on so that only the compressor crankcase heater is supplied.
- Leave the machine in this condition for a few hours; the duration of this preheating phase depends on the temperature of the place where the unit is set: the higher the temperature is, the less this phase lasts (3 hours), the colder the climate is, the more the preheating-time has to last (8÷10 hours).
- At the end of the preheating, set the main switch in the "start" position or press the "ON/OFF" button of the remote control panel.

N.B. If the instrument does not start, control if the unit is provided with a voltage monitor (par. 10-3); in this case you have to wait for the counting end of this device (about 6 minutes).

- Avant d'actionner l'interrupteur général, contrôlez si l'unité est dotée d'un système de préchauffage du compresseur. Dans ce cas, pour effectuer le préchauffage, il faut que l'unité soit alimentée, mais sans que l'interrupteur général soit sous tension, de telle façon que la tension n'atteigne que la résistance du carter du compresseur.
- Laissez l'unité dans ces conditions pendant quelques heures; la durée de cette phase de préchauffage dépend de la température ambiante: plus la température est élevée, plus la durée de cette phase sera courte (3 heures); plus le climat est froid, plus la phase de préchauffage sera prolongée (8÷10 heures).
- À la fin du préchauffage, mettez l'interrupteur général en position de mise en marche ou bien appuyez sur la touche "ON/OFF" de la platine électronique.

NB: si l'instrument ne s'allumait pas, contrôlez si l'unité est dotée de moniteur de tension (par. 10-3); dans ce cas, il faut attendre la fin du comptage de ce dispositif (environ 6 minutes).

EMPLOI

Pour un emploi correct, les produits doivent être introduits dans la chambre froide à une température dépassant au maximum de 5°C la température de conservation et les ouvertures de la porte doivent être réduites au minimum nécessaire; vous devez en outre faire attention à ce que la marchandise n'empêche pas la correcte circulation de l'air à travers l'évaporateur.

Les conditions de travail optimales sont représentées par une température comprise entre 15°C et 40°C et une humidité entre 30 et 95%.

Emplois et applications:

Modèles pour **haute** et **moyenne** température:Conservation de produits frais

Modèles pour **basse** température:Conservation de produits congelés

- Les unités ne doivent avoir d'autres emplois que ceux-ci.
- Aucun emploi différent de ceux-ci n'est admis.
- Le fabricant décline toute responsabilité pour les dommages aux personnes ou aux choses causés par un emploi impropre, inexact ou inconsidéré.

DISPOSITIFS DE CONTRÔLE

Les dispositifs qui contrôlent le fonctionnement de l'unité sont les suivants (**fig. 9-A**):

9-1 Appareillage de contrôle électronique

On peut avoir deux types d'appareillage: la platine électronique (utilisée en série sur les modèles VT, SF, SV et CS) ou l'instrument (pour les modèles VS, AC, SL). Le même type d'appareillage est utilisé sur les unités dotées de panneau séparé. La platine, à la différence de l'instrument, possède un plus grand nombre de fonctions, elle a un clavier séparé par rapport à la partie concernant la puissance et elle comprend l'interrupteur général et l'interrupteur lumière chambre. Les deux dispositifs jouent le rôle de thermostat ambiance et de contrôle du dégivrage, en plus de nombreuses autres fonctions décrites dans le mode d'emploi en annexe, qui présente également les instructions pour leur emploi et leur programmation.

9-2 Pressostat ventilateur

Ce dispositif est installé uniquement sur demande (c'est un dispositif standard sur les unités Bi Block formes 4 et 5); il est utilisé comme régulateur de la pression de condensation; il est nécessaire lorsque l'unité est utilisée en plein air, avec des températures pouvant atteindre 0°C ou au-dessous de 0°C.

Le contrôle est effectué de la façon suivante: le pressostat est raccordé sur la ligne d'alimentation d'un des ventilateurs du condenseur et il est en communication avec la ligne de refoulement du compresseur; si la pression sur cette ligne est supérieure à la valeur de programmation du pressostat, le ventilateur est mis en marche pour augmenter la condensation; par contre, si la pression est inférieure, le ventilateur s'arrêtera pour éviter une condensation excessive. Le pressostat est fixé à côté du compresseur, il est étalonné à 15 bar pour les unités avec R22 et à 18 bar pour les unités avec R404A. Il a un différentiel de 2,5 bar.

9-3 Variateur de vitesse des ventilateurs du condenseur

Il est installé sur tous les modèles en paroi formes 4 et 5 et, sur demande, à la place du pressostat ventilateur: quand on utilise ce dispositif électronique, qui ne contrôle plus directement la pression du gaz, envoyé au compresseur, mais la température du gaz déjà condensé, la régulation de la condensation est linéaire et n'est plus "par degrés", comme il est décrit relativement au pressostat ventilateur. En pratique, il n'y a plus un fonctionnement ON-OFF du ventilateur avec une variation de la condensation par rapport à la valeur d'étalonnage; dans ce cas, en effet, après une courte période initiale de mise en état, les ventilateurs se stabilisent à une vitesse qui permet de maintenir constante la valeur de condensation requise. Le variateur se trouve dans le tableau électrique et il est étalonné en usine; la sonde du variateur se trouve à un endroit spécial situé sur le tuyau de sortie du condenseur.

Si, en cas de panne, il était nécessaire de remplacer le variateur de vitesse ou la sonde relative et on ne pouvait pas trouver immédiatement la pièce détachée, il est quand même possible de mettre en marche l'unité en excluant ce réglage; pour faire cela, on doit mettre l'interrupteur exclusion variateur (**fig. 9-3a**) (qui se trouve dans le tableau électrique) en position "1". Après avoir remplacé la pièce endommagée, rappelez-vous de rétablir le fonctionnement initial.

Instructions pour le réglage

- **Modification du Setpoint:**
le setpoint est la valeur de température à laquelle correspond une tension de sortie égale à 0 Volt. On peut modifier cette valeur en réglant le trimmer "Set", qui possède un champ de réglage de 0 à 60°C. Il est étalonné en usine à 35°C.
- **Modification du différentiel:**
le différentiel est la valeur de température qui, ajoutée à la valeur du Setpoint, représente la valeur correspondant à la tension de sortie maximum (230 V). Il peut être modifié, en réglant le trimmer "Differential", d'une valeur minimum de 3 à une valeur maximum de 30°C. Il est étalonné en usine à 15°C.

NB: Les trimmers "V min" et "Cut off" doivent être réglés à 0%.

9-4 Filtre ligne gaz liquide

Il se trouve sur la ligne du gaz liquide, immédiatement après le réservoir ou, dans les unités dépourvues de réservoir, sur le tuyau de sortie du condenseur.

9-5 Électrovanne ligne gaz liquide

Elle n'est installée que sur demande (c'est un dispositif standard sur l'évaporateur des modèles Bi Block formes 4 et 5). Elle se trouve immédiatement après le filtre de la ligne du gaz liquide. Elle sert à interrompre le passage du liquide quand l'unité doit s'arrêter pour le dégivrage ou si la température programmée a été atteinte; de cette façon l'unité s'arrête quand le compresseur est en vide.

9-6 Tube capillaire

Il se trouve à l'entrée de l'évaporateur; il permet au gaz provenant du condenseur d'atteindre la pression d'évaporation. Il est installé sur toutes les unités, exception faite pour les modèles Bi Block formes 4 et 5.

9-7 Vanne thermostatique

Elle est installée uniquement sur demande à la place du tube capillaire (c'est un dispositif standard sur les unités Bi Block formes 4 et 5). Tout en jouant le même rôle, c'est un dispositif plus sophistiqué, qui peut être réglé. L'étalonnage de la vanne est effectué dans l'usine.

9-8 Indicateur de liquide

Il est installé uniquement à la demande (c'est un dispositif standard sur les les modèles Bi Block formes 4 et 5). Il est placé sur le côté gauche de l'unité et il est visible de l'extérieur. L'indicateur doit toujours être contrôlé lorsque la machine est en marche: si l'on remarque un passage persistant de bulles gazeuses, cela peut indiquer un manque de gaz dans l'installation; par contre, si l'indicateur est limpide ou que l'on remarque seulement un passage sporadique de bulles cela signifie que la quantité de gaz est suffisante.

9-9 Soupape régulatrice de la pression d'aspiration

Elle est installée sur certaines unités pour basse température avec dégivrage à gaz chaud et jusqu'à la forme 3. Elle permet de maintenir la pression d'aspiration du compresseur à des valeurs acceptables pendant le dégivrage. Elle est placée sur le tuyau d'aspiration près du compresseur. Elle est étalonnée en usine.

9-10 Réchauffeur du tableau électrique

C'est un accessoire en option qui est nécessaire si l'unité doit être installée dans un lieu avec un climat très rigoureux (température inférieure à -10°C pour des périodes très longues); il permet de maintenir dans le tableau électrique, où il est placé, une température suffisante pour le bon fonctionnement des dispositifs électriques. Ce dispositif est doté d'un régulateur interne de température.

9-11 Electrovanne de dégivrage

Elle est installée sur toutes les unités, exception faite pour celles pour haute température et pour toute les séries Split et Bi Block. Elle s'ouvre chaque fois qu'un dégivrage est nécessaire. Dans les unités jusqu'à la forme 3, le gaz chaud utilisé pour le dégivrage passe directement à travers l'électrovanne; dans les unités plus grandes, l'électrovanne règle une vanne déviatrice (9-12) qui contrôle le passage du gaz. L'électrovanne se referme à la fin du dégivrage.

9-12 Vanne déviatrice dégivrage

Elle est installée sur toutes les unités en paroi, exception faite pour celles pour haute température; sa fonction consiste à dévier le flux du gaz chaud du condenseur à l'évaporateur pour effectuer le dégivrage. Pour fonctionner, elle doit être commandée par une électrovanne (9-11).

9-13 Vanne de non-retour ligne de dégivrage

Elle est installée sur toutes les unités en paroi formes 4 et 5, exception faite pour celles pour haute température ; elle est placée sur le tuyau de la ligne de dégivrage à l'entrée de l'évaporateur. Sa fonction consiste à empêcher que, à la fin du dégivrage, le liquide qui s'est formé dans l'évaporateur retourne à travers la ligne de dégivrage.

9-14 Résistances de dégivrage

Elles se trouvent sur l'évaporateur de toutes les unités Split et Bi Block, exception faite pour celles pour haute température; leur fonction consiste à réchauffer la batterie d'évaporation pendant le dégivrage.

9-15 Résistance d'écoulement

Elle est installée dans le tuyau d'écoulement de l'évaporateur. Elle se trouve sur toutes les unités pour moyenne et basse température. Dans les unités avec dégivrage à gaz chaud elle est commandée par l'interrupteur général (quand l'unité est allumée, la résistance est toujours en marche); dans les unités Split et Bi Block elle est branchée aux résistances de dégivrage. Sa fonction consiste à permettre l'écoulement de l'eau qui se produit pendant le dégivrage, empêchant qu'elle gèle dans le tuyau d'écoulement.

9-16 Résistance carter

C'est un dispositif standard pour les compresseurs des unités en paroi et Bi Block, formes 4 et 5, servant à chauffer le carter avant la mise en marche et à le maintenir chaud pendant la phase d'arrêt du compresseur.

La chaleur produite par la résistance entraîne l'évaporation du gaz réfrigérant à l'état liquide qui pourrait se trouver à l'intérieur du compresseur ; cela permet de réduire l'effort du compresseur lors du démarrage et, surtout de prévenir la rupture des soupapes, qui pourrait être entraînée par la compression du liquide. Cela est indispensable quand l'unité est installée dans des lieux avec une température basse.

La résistance fonctionne manuellement quand l'unité est branchée à la ligne d'alimentation et l'interrupteur général est en position "OFF", ou bien elle fonctionne automatiquement lorsque l'unité est en phase de réfrigération.

DISPOSITIFS DE PROTECTION ET DE SÉCURITÉ

Description des dispositifs de protection et de sécurité de l'unité (**fig. 10-A**):

10-1 Pressostat haute pression

Il sert à interrompre le fonctionnement de l'unité si la pression dans l'installation est trop élevée.

Après son enclenchement, le pressostat peut être remis en marche manuellement en appuyant sur le bouton vert qui se trouve à son sommet. Le pressostat est placé à côté du compresseur; il est étalonné à 24 bar pour les unités avec gaz R22 et à 28 bar pour les unités avec R404A. Il a un différentiel de 4 bar. Il est toujours installé dans les unités triphasées, mais il peut être installé aussi sur les autres unités à la demande.

10-2 Pressostat basse pression

Il s'enclenche, en arrêtant l'unité, quand la pression dans le circuit d'aspiration descend au-dessous de la valeur d'étalonnage. La remise en marche du pressostat est automatique. Il se trouve à côté du compresseur tout comme les autres pressostats et son étalonnage peut-être fixe ou réglable. Dans les deux cas, la limite d'enclenchement est d'environ -0,3 bar (dans les unités pour des températures chambre de 0°C ou plus, il pourrait même atteindre une valeur maximum de 0,1 bar). Le différentiel est généralement de 1 bar. L'enclenchement de ce pressostat est généralement dû à une panne ou à une anomalie pendant le fonctionnement; si, par contre, à la demande spécifique, l'arrêt du compresseur en vide, l'enclenchement du pressostat est normal dans les cas suivants:

- Arrêt dû au fait que la température programmée dans la chambre froide a été atteinte
- Arrêt du compresseur pendant la phase de dégivrage.

10-3 Moniteur de tension

C'est un instrument électronique que l'on installe seulement sur demande. Il coupe l'alimentation de l'unité lorsque la tension sur la ligne en amont de l'unité dépasse les limites programmées. Ces limites (minimum et maximum) peuvent être réglées; le moniteur se remet en marche automatiquement quand les conditions normales se sont rétablies, avec un retard que l'on peut programmer sur l'instrument. Le moniteur est installé dans le tableau électrique.

Instruction pour le réglage (fig. 12-1)

- Réglage du temps de comptage- retard
Avec le dip switch (A) à gauche et les dip switches (B), (C) et (D) à droite, le retard est à peu près de 6 minutes; si le dip switch (A) est tourné à droite, le temps se réduit à 9-10 secondes. À ce temps on peut ajouter 10, 20 ou 30 seconds en déplaçant respectivement les dip switches (B), (C) et (D) à gauche.
- Modification des limites de tension:
Si les dip switches (E) et (F) sont tournés à gauche, le moniteur s'enclenche si la tension indiquée a une valeur dépassant de +/-12% la tension normale. Il est possible d'augmenter les limites de 4 ou 8% en tournant respectivement les dip switches (E) et (F) à droite.

10-4 Thermo contact pour la protection des ventilateurs

Tous les ventilateurs disposent de ce contact qui, branché de façon correcte, coupe l'alimentation du ventilateur en cas de surchauffe de l'enroulement du moteur correspondant. La remise en marche de ce dispositif est automatique et se passe quand les conditions normales se sont rétablies; sa valeur d'enclenchement est fixée par le fabricant. Pour certains ventilateurs, le thermo contact est déjà branché à l'intérieur du moteur.

10-5 Fusibles et interrupteurs automatiques

Chaque fusible et chaque interrupteur possède une fonction spécifique, comme il est indiqué dans le schéma électrique et dans la légende fournis avec l'unité. Au cas où une partie de l'unité ne fonctionnerait pas, on conseille de contrôler d'abord le bon fonctionnement des fusibles ou des interrupteurs automatiques.

NETTOYAGE, MAINTENANCE ET PANNES

La maintenance doit être effectuée par le personnel qualifié possédant les qualités requises établies par le pays où l'unité est installée.

Avant d'effectuer toute opération de maintenance ou de nettoyage, isolez l'unité de toute source d'énergie électrique ou hydrique.

Pour le nettoyage des unités, il ne faut JAMAIS utiliser des jets d'eau.

Pour les opérations de maintenance et d'assistance, il pourrait être nécessaire d'enlever le panneau frontal de l'unité de condensation. Selon les modèles, il faut effectuer les opérations suivantes:

- **Unités en paroi, à cheval, Split, Bi Block, Unités de Condensation et Unités horizontales formes 4 et 5:** desserrez et enlevez les vis servant à fixer le panneau frontal (**fig. 11-1**) (pour les unités en paroi et Bi Block forme 5, enlevez seulement les vis du panneau droit), écartez d'environ 20 cm la partie inférieure (supérieure pour les unités en paroi et Bi Block formes 4 et 5) du panneau de l'unité, mais en laissant la partie supérieure (inférieure pour les unités en paroi et Bi Block formes 4 et 5) du panneau coincée dans la bride (**fig. 11-2**); desserrez le dispositif servant à fixer le conducteur de terre qui relie le panneau frontal de l'intérieur de l'unité (**fig. 11-3**), puis soulevez et ôtez le panneau (**fig. 11-4**). Pour rétablir les conditions initiales, répétez ces opérations dans le sens inverse.
- **Unités plafonniers et horizontales formes 1, 2 et 3:** desserrez et ôtez les vis servant à fixer le panneau (**fig. 11-5**), écartez le panneau de l'unité, de façon à pouvoir accéder à l'intérieur de l'unité avec une main (**fig. 11-6**), desserrez le dispositif servant à fixer le conducteur de terre qui relie le panneau frontal de l'intérieur de l'unité (**fig. 11-7**), puis ôtez le panneau (**fig. 11-8**). Pour rétablir les conditions initiales, répétez ces opérations dans le sens inverse.

La maintenance concerne notamment le nettoyage du condenseur à air: pour cette opération, utilisez un jet d'air de l'intérieur de l'unité vers l'extérieur ou bien passez un pinceau aux soies longues et moelleuses sur le côté extérieur du condenseur (**fig.11-9**). En conditions normales, le condenseur doit être nettoyé une fois par semaine; si le lieu où il est installé est très poussiéreux, il faut le nettoyer plus fréquemment, même une fois par jour.

Si l'unité dispose d'un condenseur à eau, pour le nettoyage il faut s'adresser à un plombier ou à une personne qualifiée en état d'utiliser des désincrustants spécifiques pour ces opérations.

Normalement il est suffisant d'effectuer ce type de maintenance une fois par an, sauf en cas de problèmes particuliers causés par le réseau hydrique, auquel cas il est de toute façon nécessaire de contacter un plombier. Enfin, vous devez nettoyer les tuyaux d'écoulement de l'eau de condensat. Dans ce cas également, parmi les systèmes possibles, il est préférable d'utiliser un jet d'air comprimée de l'intérieur de l'unité vers l'extérieur. Cette opération doit être effectuée normalement une fois par mois; en ce qui concerne les chambres froides à haute température dans lesquelles un produit très gras est conservé, il faut vérifier l'état des tuyaux d'écoulement plus fréquemment, même une fois par semaine.

Par suite d'une anomalie, il est possible que sur la batterie à ailettes de l'évaporateur une couche compacte de glace se forme. Après avoir déterminé la cause et réparé le dommage, avant de remettre l'unité en marche, il faut absolument enlever toute la glace. Pour faire cela, il est possible d'effectuer un dégivrage manuel (voir mode d'emploi de l'appareillage électronique). Si un seul dégivrage n'est pas suffisant, attendez quelques minutes et répétez l'opération.

Pour accélérer davantage la fonte de la glace, on doit agir de la manière suivante:

arrêtez l'unité avec l'interrupteur général, démontez les parties latérales métalliques et les ventilateurs de l'évaporateur, faites fondre la glace en utilisant de l'eau chaude, puis installez de nouveau les ventilateurs et les parties latérales et remettez en marche l'unité.

NB: Pour enlever la glace de la batterie à ailettes de l'évaporateur on ne doit JAMAIS utiliser des objets métalliques ou pointus!

Ramassez les déchets résultant de la maintenance, s'ils sont polluants ou non biodégradables, dans des lieux appropriés.

Liste des pannes:

NB: Pour tout dérangement concernant l'appareillage électronique, sauf au cas où l'unité ne se mettrait pas en marche, la première opération à effectuer consiste à contrôler si l'étalonnage des paramètres est correct (voir mode d'emploi).

La platine et l'instrument électronique disposent d'une alarme interne qui signale les dérangements des sondes, les enclenchements des pressostats (seulement sur la platine) et la mauvaise programmation des paramètres; ces erreurs sont signalées par l'afficheur moyennant des codes spécifiques qui sont énumérés dans le mode d'emploi de l'appareillage électronique.

Toute indication de l'afficheur autre que ces codes d'alarme, l'indication de température ou la signalisation, programmée au moyen de paramètres, d'états de fonctionnement particuliers (par ex. "dEF" pendant le dégivrage), signifie que l'instrument est en panne et qu'il faut le remplacer.

Généralement ces pannes sont provoquées par des incidents électriques qui brouillent les fonctions du microprocesseur qui contrôle le fonctionnement de la platine. C'est pour cette raison que l'on conseille de suivre les instructions concernant le positionnement des câbles, décrites au ch. 4 "BRANCHEMENT ÉLECTRIQUE".

Nr.	Failure	Causes	Remedies
1	(Unités avec platine électronique) On a branché le câble d'alimentation et on a appuyé sur la touche (ON-OFF), mais la platine ne s'allume pas.	Manque de tension ou valeur de tension incorrecte sur la ligne d'alimentation.	Vérifiez que la tension d'alimentation corresponde à celle qui est indiquée sur la plaquette de l'unité.
		Le moniteur de tension est en train d'effectuer le comptage (voir ch. 7 - MISE EN MARCHÉ).	Attendez à peu près 10 minutes. Si, après ce temps, la situation ne change pas, contrôlez si la tension a des valeurs correctes et si les fusibles du moniteur fonctionnent bien; si les fusibles sont défectueux, il faut les remplacer.
		La platine est alimentée de façon correcte, mais elle ne s'allume pas.	Le branchement entre la platine et le clavier est coupé: rétablissez le branchement. La platine est en panne: il faut la remplacer.
2	(Unités avec instrument) On a branché le câble d'alimentation et on a appuyé sur l'interrupteur général, mais le voyant situé sur l'interrupteur et l'instrument ne s'allument pas. Le voyant lumineux "comptage moniteur" est toujours allumé.	Manque de tension ou valeur de tension incorrecte sur la ligne d'alimentation.	Vérifiez que la tension d'alimentation corresponde à celle qui est indiquée sur la plaquette de l'unité.
		L'interrupteur général est en panne	Remplacer l'interrupteur
3	(Unités avec instrument) On a appuyé sur l'interrupteur général, le voyant situé sur l'interrupteur s'allume, mais l'instrument ne s'allume pas. L'interrupteur général est en position "ON" et l'interrupteur préchauffage est en position "2", mais le compresseur ne démarre pas et aucun voyant n'est allumé.	Manque de tension ou valeur de tension incorrecte sur la ligne d'alimentation.	Vérifiez que la tension d'alimentation corresponde à celle qui est indiquée sur la plaquette de l'unité.
		Le fusible du circuit auxiliaire est coupé.	Remplacez le fusible.
		Le moniteur de tension est en train d'effectuer le comptage (voir ch. 7 - MISE EN MARCHÉ).	Attendez à peu près 10 minutes. Si, après ce temps, la situation ne change pas, contrôlez si la tension a des valeurs correctes et si les fusibles du moniteur fonctionnent bien; si les fusibles sont défectueux, il faut les remplacer.
		Le transformateur de l'instrument électronique est défectueux.	Remplacez le transformateur.
		L'instrument électronique est défectueux.	Remplacez l'instrument.
4	La platine (instrument) s'allume, la led compresseur clignote, mais le compresseur ne se met pas en marche.	Comptage de protection du compresseur: attendez quelques minutes, le compresseur devrait se remettre en marche.	(Unités avec platine électronique) Si, après quelques minutes, celui-ci ne redémarre pas, contrôlez le branchement du câble micro-interrupteur porte ou le fonctionnement du micro-interrupteur porte. Vérifiez en outre si la porte de la chambre est bien fermée.

5	(Unités avec platine électronique) La led alarme est allumée et l'unité est arrêtée sans qu'aucune indication ne soit affichée.	Enclenchement du pressostat.	Si, lorsque les conditions normales sont rétablies, l'unité ne se met pas en marche, contrôlez le fonctionnement du pressostat. Pour les unités dotées de pressostat de basse pression, vérifiez qu'il n'y ait pas de fuites de gaz; dans ce cas, trouvez la fuite et réparez la panne.
6	Le compresseur ne se met pas en marche quoique la led correspondante soit allumée.	(Unités en paroi et Bi Block formes 4 et 5) Fusibles compresseur coupés.	Remplacez les fusibles et ensuite contrôlez si la cause est un dérangement électrique du moteur du compresseur.
		(Unités avec instrument) Enclenchement du pressostat.	Voir 5
		Dérangement des composants électriques d'alimentation du compresseur (seulement pour les compresseurs monophasés).	Contrôlez le fonctionnement du relais, des condensateurs et des clixons et, s'ils sont défectueux, remplacez-les.
		Enclenchement de la protection interne du compresseur.	(Unités en paroi et Bi Block formes 4 et 5) Contrôlez le fonctionnement de tous les fusibles du compresseur et, s'ils sont coupés, remplacez-les.
			Contrôlez la ligne d'alimentation, c'est-à-dire si la tension est correcte, si les contacts du térupteur du compresseur fonctionnent, si les composants électriques du compresseur monophasé sont en bon état. Au cas où l'on relèverait des anomalies, on doit rétablir les conditions optimales de fonctionnement.
			Contrôlez que les ventilateurs du condenseur (et éventuellement le pressostat de contrôle ou le variateur de vitesse) marchent régulièrement. En cas de dérangement, remplacez-les.
			Contrôlez que le condenseur soit bien propre; dans le cas contraire, nettoyez-le en suivant les instructions du par "MAINTENANCE".
Vérifiez qu'il n'y ait pas de fuites de gaz de l'unité; dans ce cas, trouvez la fuite et réparez le dérangement.			
7	En appuyant sur l'interrupteur lumière chambre, le voyant correspondant s'allume, mais la lumière dans la chambre reste éteinte.	Le fusible du circuit d'alimentation de la lumière chambre est coupé.	Remplacez le fusible après avoir contrôlé que l'absorption de la charge connectée au câble correspondant soit inférieure à 200 W.
		La lampe dans la chambre a grillé.	Remplacez la lampe.

8	L'unité est en marche, mais la résistance de la porte ne fonctionne pas.	Le fusible du circuit d'alimentation de la résistance porte est coupé.	Remplacez le fusible après avoir contrôlé que l'absorption de la charge connectée au câble correspondant soit inférieure à 200 W.
		La résistance est coupée.	Remplacez la résistance.
9	La température voulue n'a pas été atteinte malgré le fonctionnement continu de l'unité.	Quantité de gaz insuffisante.	Rajoutez le gaz en connectant les manomètres pour en contrôler le niveau. Contrôlez s'il y a des fuites et, les cas échéant, réparez-les.
		Passage de gaz dans les deux entrées de la vanne déviatrice (Unités en paroi formes 4 et 5).	On peut essayer de réparer la vanne, mais il vaudrait mieux la remplacer.
		La vanne régulatrice de pression est bloquée (unité en basse température).	Essayez d'étalonner à nouveau la vanne, même si, probablement, il faudra la remplacer.
		Condensation insuffisante.	Nettoyez le condenseur. Si cela même n'était pas suffisant, vérifiez que les conditions correctes de fonctionnement de l'unité aient été respectées.
		Les conditions correctes de fonctionnement ou d'installation de l'unité n'ont pas été respectées pour les raisons suivantes: <ul style="list-style-type: none"> • La marchandise a été introduite dans la chambre à une température trop élevée. • Dans la chambre il y a d'autres sources de chaleur (par ex. goulottes sur le sol, etc.). • La porte de la chambre est ouverte trop souvent et trop longtemps. • La marchandise a été placée trop près de l'évaporateur, si bien qu'elle empêche le passage de l'air. 	Rétablissez les conditions optimales de fonctionnement.
10	L'évaporateur givre trop, de façon irrégulière ou limitée à quelques points.	Quantité de gaz insuffisante.	Rajoutez le gaz en connectant les manomètres pour en contrôler le niveau. Contrôlez s'il y a des fuites et, les cas échéant, réparez-les.
		La circulation de l'air sur l'évaporateur n'est pas correcte.	Contrôlez le fonctionnement des ventilateurs de l'évaporateur; s'ils sont défectueux, remplacez-les.
			Contrôlez qu'aucun obstacle n'empêche, même partiellement, le passage de l'air, aussi bien à la sortie qu'à l'entrée de l'évaporateur; s'il y en avait, il est nécessaire de les enlever.
		(Unités Bi Block formes 4 et 5) La vanne thermostatique n'est pas bien réglée.	Changez le réglage de la vanne thermostatique jusqu'à atteindre un givrage correct.

11	À la fin du dégivrage, il reste de la glace sur l'évaporateur.	L'unité est utilisée dans des conditions un peu différentes des conditions optimales (mais de toute façon acceptables).	Modifiez l'étalonnage des paramètres concernant le dégivrage afin d'augmenter la fréquence des cycles et la température de fin dégivrage.
		Si la quantité de glace est considérable, l'unité n'effectue peut-être pas correctement le dégivrage.	Contrôlez le fonctionnement de l'électrovanne, des résistances ou de la vanne déviateur, c'est-à-dire des dispositifs prévus pour le dégivrage, suivant le type d'unité. Au cas où l'on relèverait la présence de pièces endommagées, il faudra les remplacer.
12	Il se forme de la glace tout autour des ventilateurs de l'évaporateur.	Entrée d'air chaud à travers le tuyau d'écoulement du condensat.	Vérifiez qu'un siphon ait été réalisé sur la partie du tuyau d'écoulement à l'extérieur de la chambre.
		Pendant le dégivrage, il se forme du condensat sur les ventilateurs et à côté d'eux.	Réduisez la température de fin dégivrage et augmentez le temps de dégivrage.
13	Formation de glace sur le plafond de la chambre froide devant l'évaporateur.	Pendant le dégivrage, il se forme trop de vapeur et à la fin du dégivrage les ventilateurs se remettent en marche trop tôt.	Réduisez la température de fin dégivrage et augmentez la durée du retard à l'enclenchement des ventilateurs à la fin du dégivrage.
14	Il y a des dégoulinements ou des formations de glace sous le bac de l'évaporateur.	Le tuyau d'écoulement est bouché par la glace car la résistance à l'intérieur du tuyau-même ne fonctionne pas.	Contrôlez le circuit d'alimentation de la résistance. Remplacez la résistance si elle est en panne.
		Le tuyau d'écoulement est bouché.	Nettoyez le tuyau d'écoulement. (Voir "MAINTENANCE").
		Les bandes reliant les tuyaux d'écoulement se sont desserrées.	Rétablissez les connexions hydriques.
		Le bac s'est déformé par suite d'un choc (par ex. pendant l'installation).	S'il s'agit d'un choc peu important, on peut essayer d'en rétablir la forme originale; dans le cas contraire, il faut remplacer le bac.

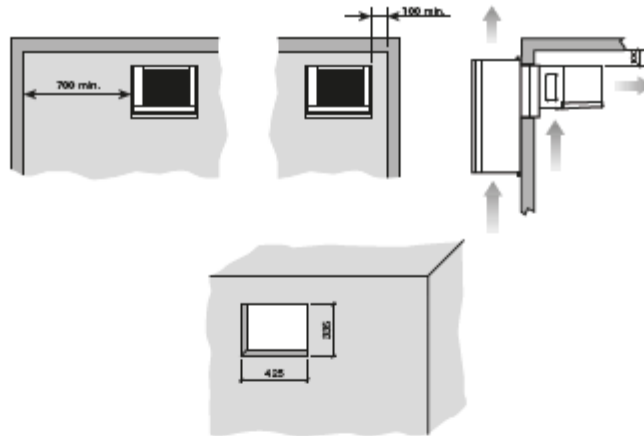
** En cas d'anomalies concernant le fonctionnement de l'unité, contrôlez qu'elles ne soient pas dues au fait que la maintenance ordinaire n'a pas été effectuée. Dans le cas contraire, adressez-vous à l'un de nos centres d'assistance autorisés. En cas de remplacement de pièces, demandez des pièces détachées originales à un concessionnaire ou à un revendeur autorisé. La liste des pièces détachées se trouve dans le catalogue spécial "Pièces détachées" "Liste des prix" qui doit être demandée expressément au distributeur.*

** Tous les 6 mois faites contrôler l'unité par un centre assistance autorisé.*

** L'unité ne doit pas être abandonnée, quand elle est mise à la casse, parce qu'elle contient des matériaux toxiques nuisibles (liquide réfrigérant) sujets à des normes prévoyant le traitement de ces substances dans des centres spécialisés.*

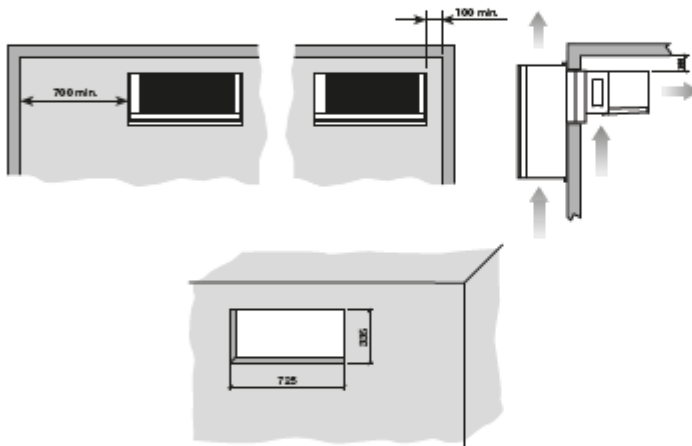
DRAWINGS

WALL-MOUNTING UNITS
 EINSCHUBAGGREGATE
 UNIDADES DE PARED
 UNITÉS EN PAROI
 UNIDADES DE PAREDE
 UNITÀ A TAMPONE



a

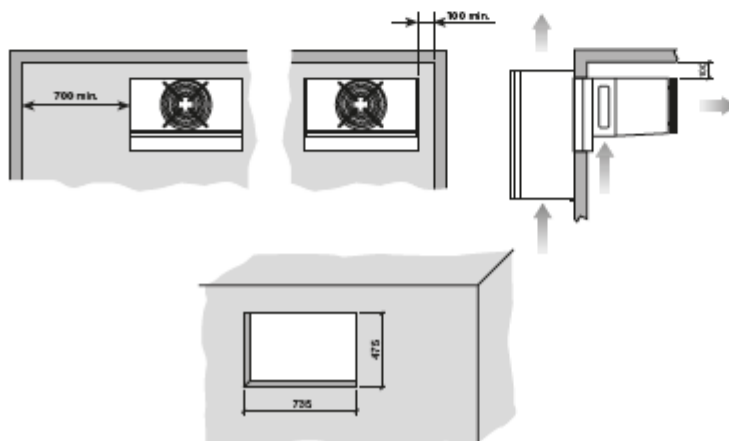
Form
 Typ
 Forma
 Forme
 Forma
 Forma



b

Form
 Typ
 Forma
 Forme
 Forma
 Forma

2

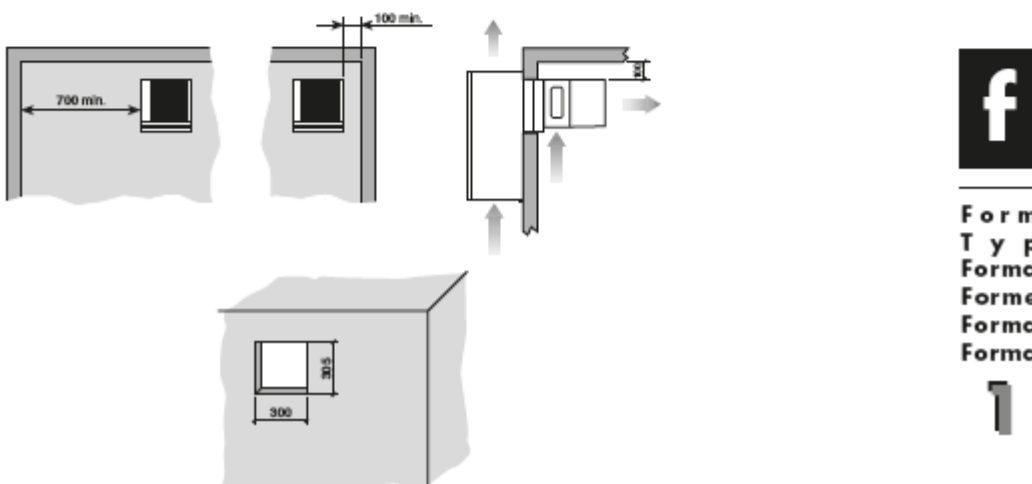
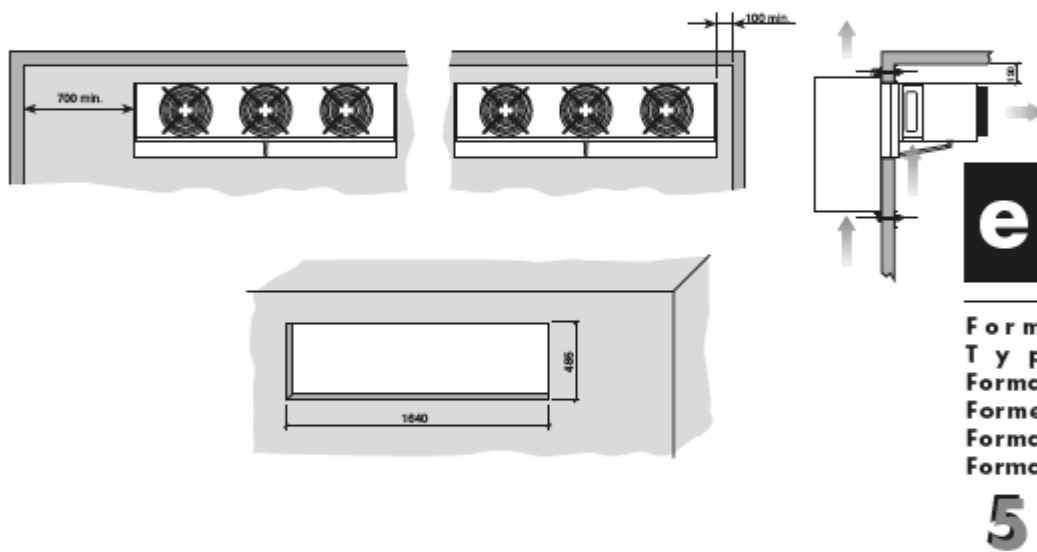
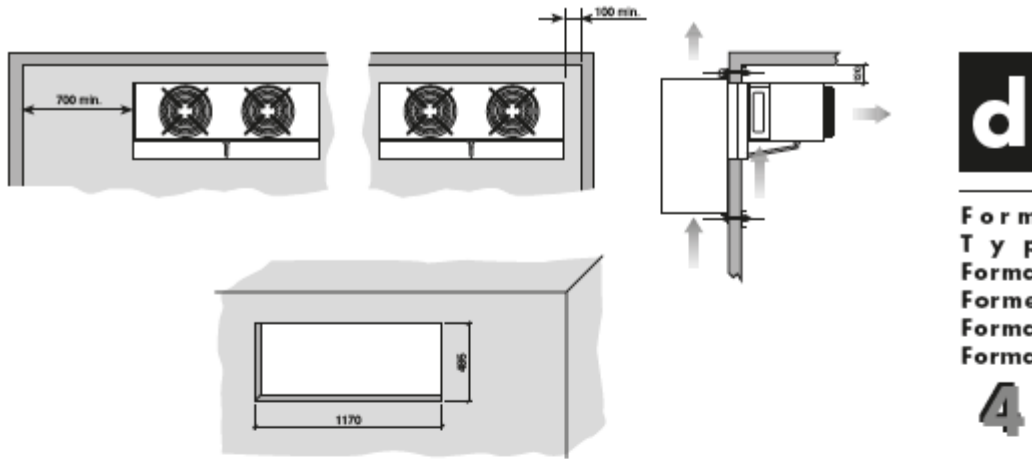


c

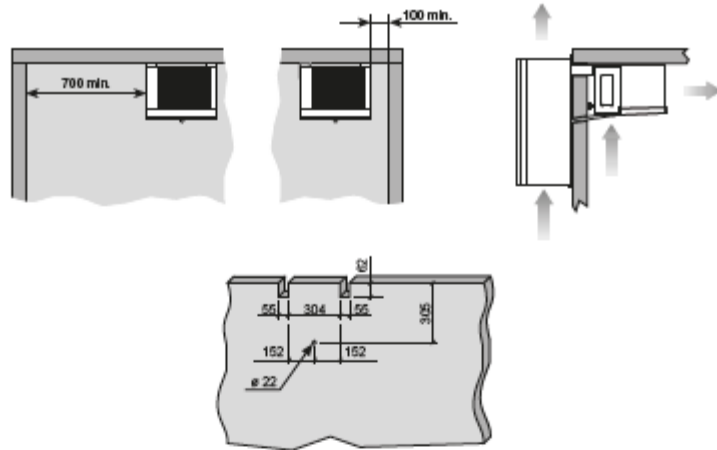
Form
 Typ
 Forma
 Forme
 Forma
 Forma

3

3B

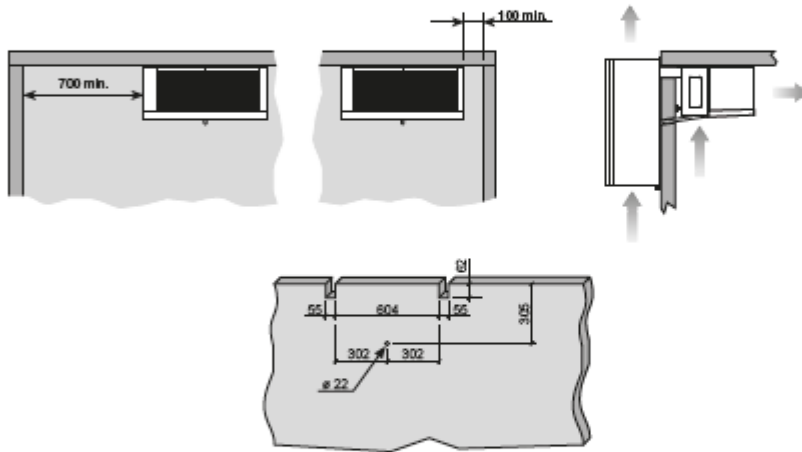


STRADDLE UNITS
HUCKEPACKAGGREGATE
 UNIDADES ACABALLADAS
UNITÉS À CHEVAL
 UNIDADES ACAVALADAS
ACCAVALLATI



g

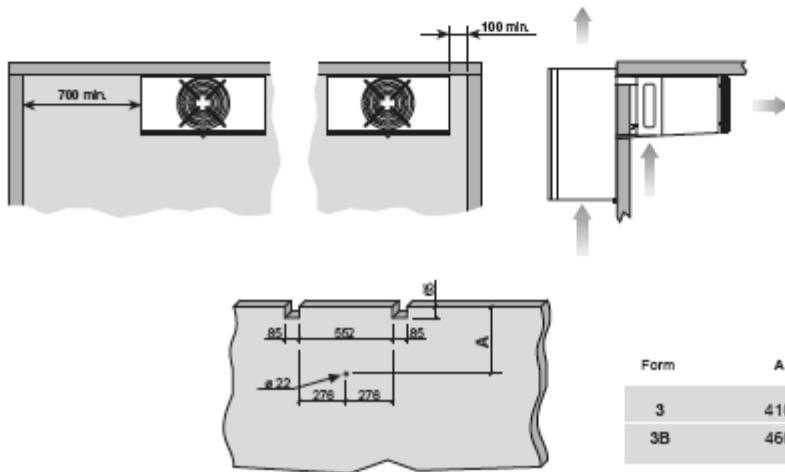
Form
 Typ
 Forma
 Forme
 Forma



h

Form
 Typ
 Forma
 Forme
 Forma

2



i

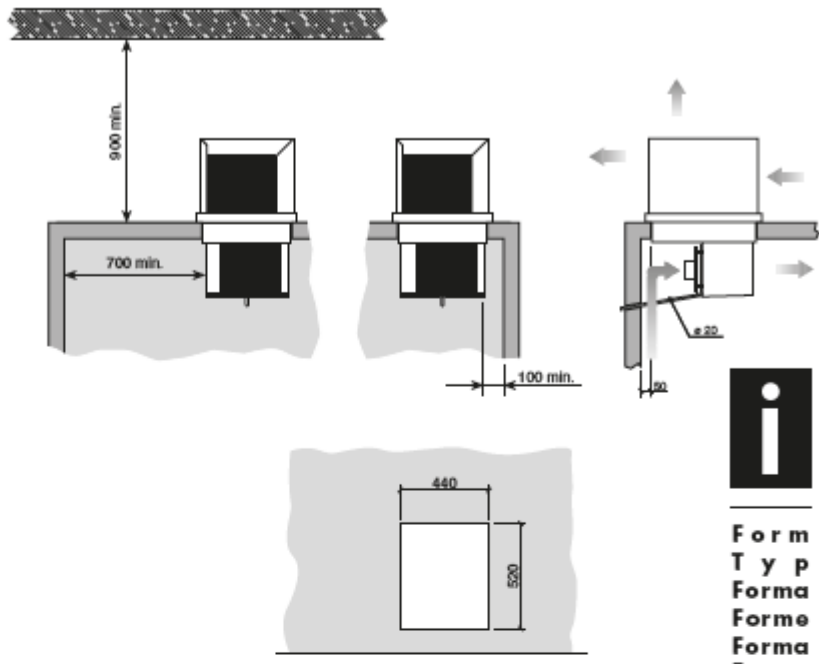
Form
 Typ
 Forma
 Forme
 Forma

3

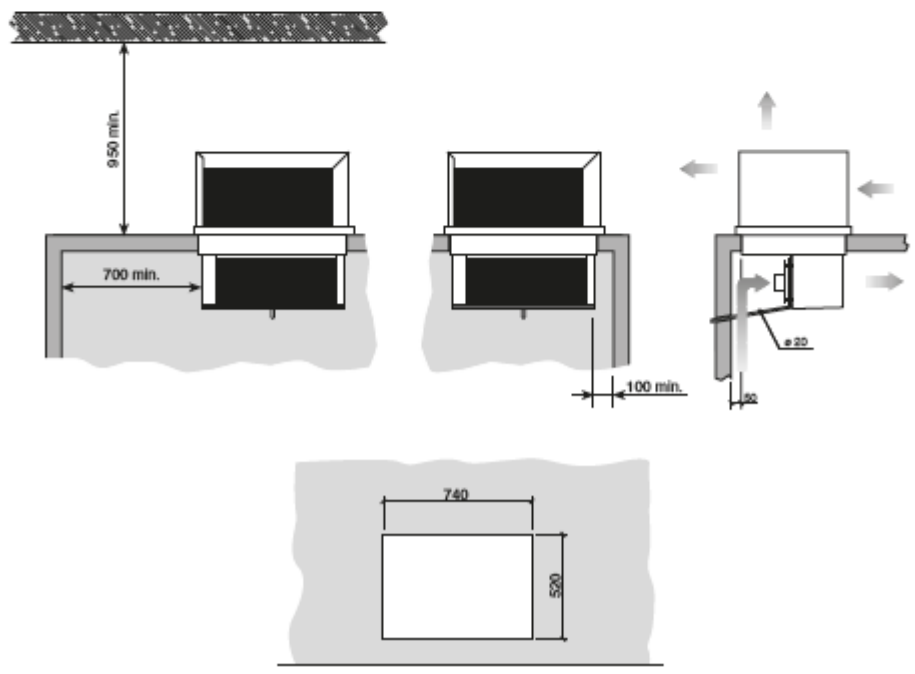
3B

Form	A
3	410
3B	460

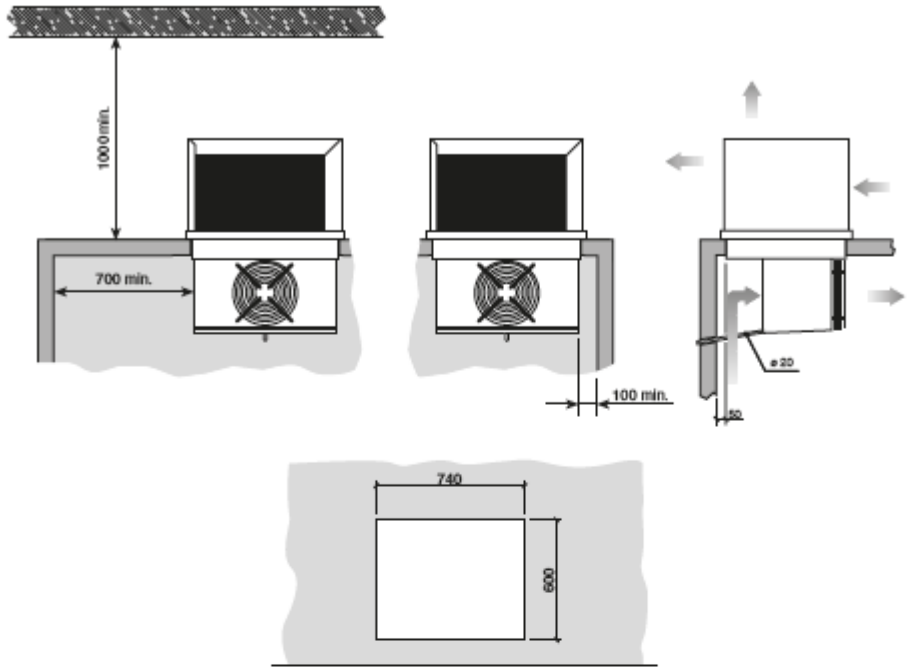
CEILING UNITS
 DECKENAGREGATE
 UNIDADES DE TECHO
 UNITÉS PLAFONNIÈRES
 UNIDADES DE TETO
 UNITÀ A SOFFITTO



i
 Form
 Typ
 Forma
 Forme
 Forma
 Forma

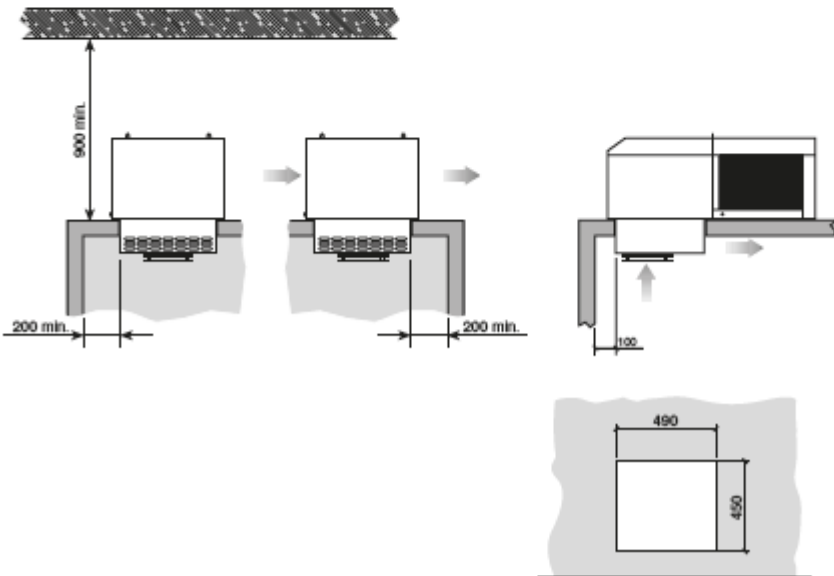


k
 Form
 Typ
 Forma
 Forme
 Forma
 Forma
 2



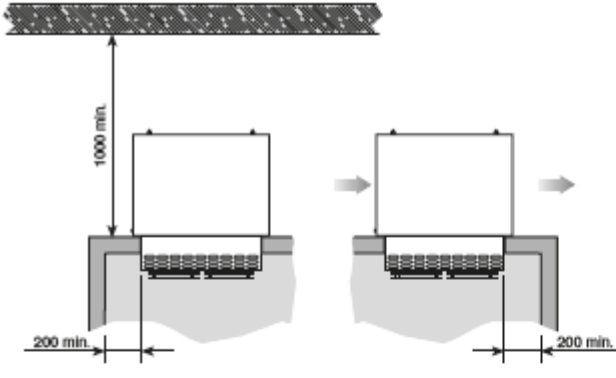
Form
Typ
Forma
Forme
Forma
Forma

3



Form
Typ
Forma
Forme
Forma
Forma

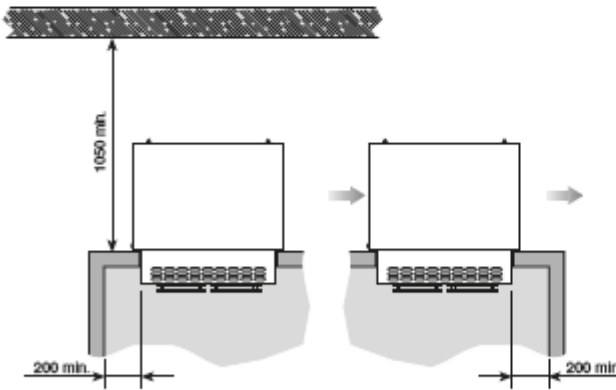
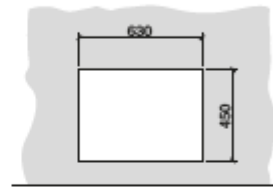




n

Form
Type
Forma
Forme
Forma
Forma

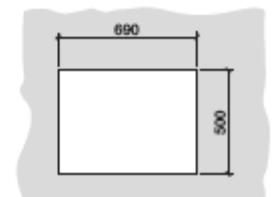
2

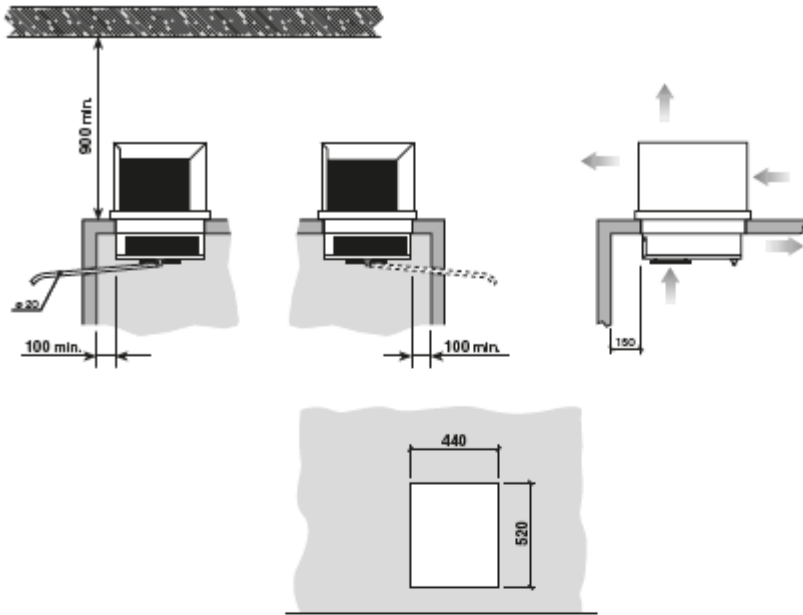


o

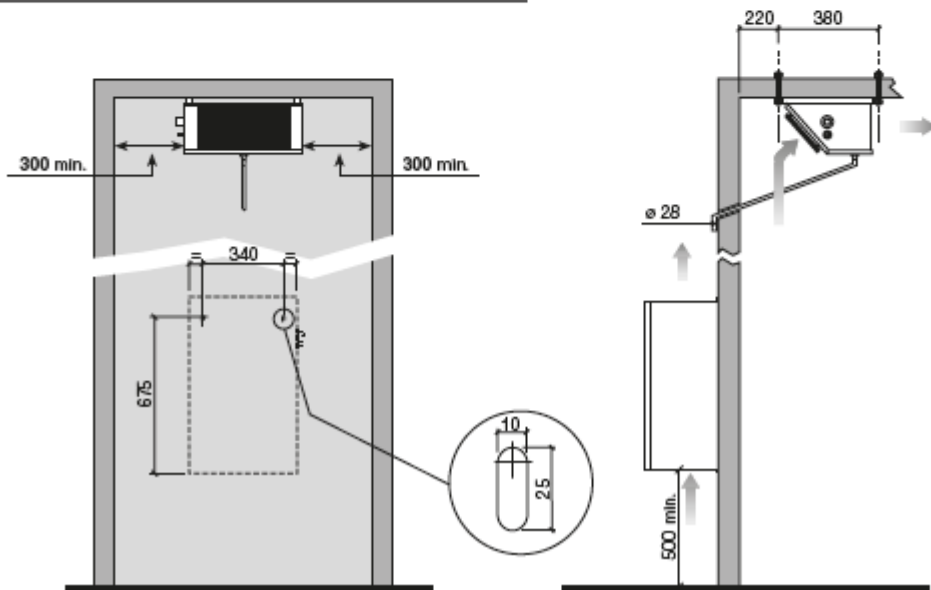
Form
Type
Forma
Forme
Forma
Forma

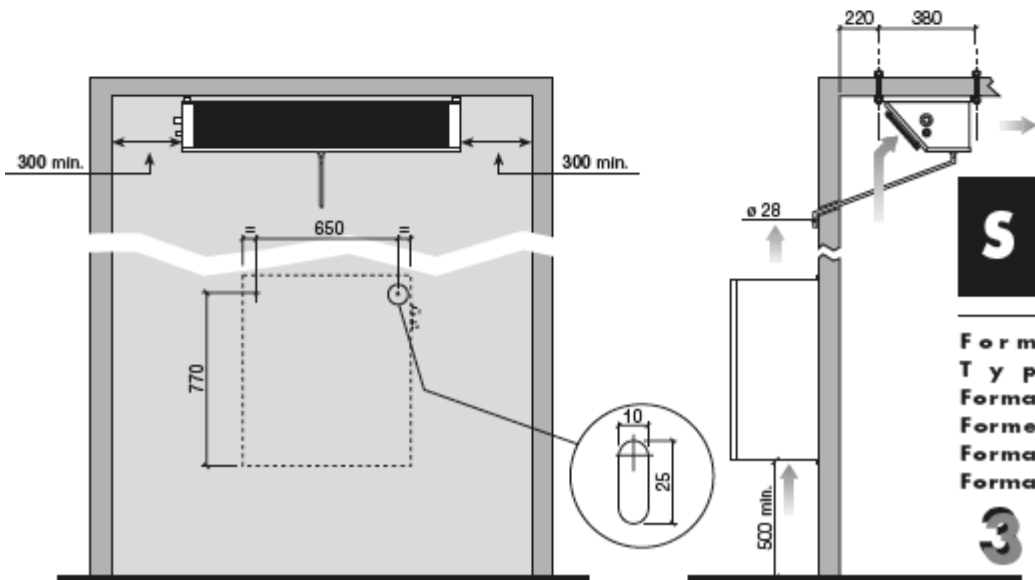
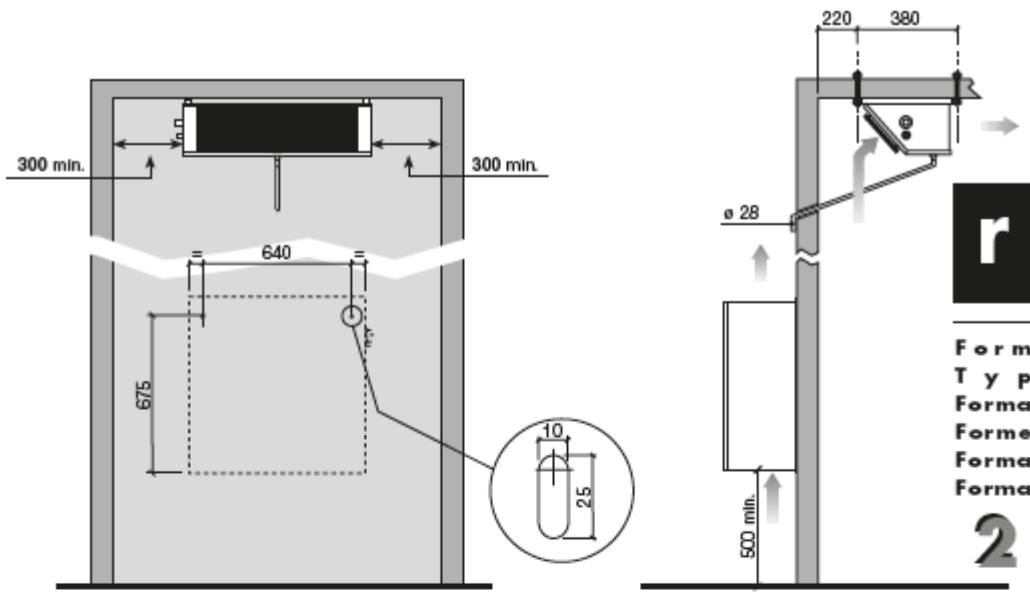
3



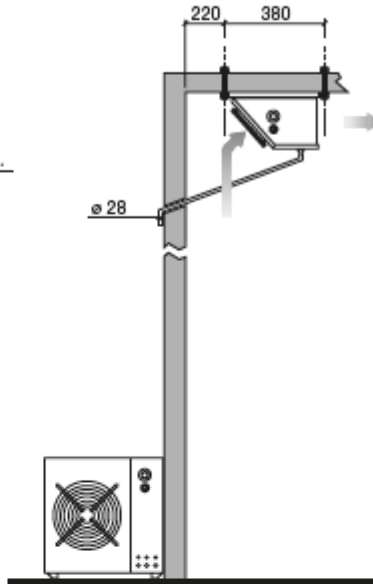
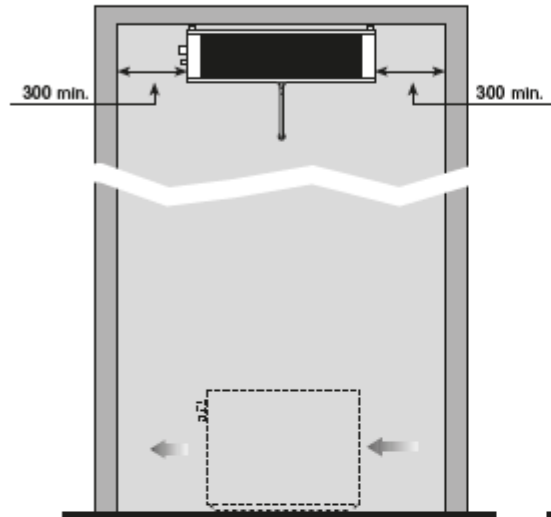


SPLIT UNITS - CONDENSING UNITS - EVAPORATING UNITS
 SPLITGERÄTE - VERFLÜSSIGUNGSEINHEITEN - VERDAMPFUNGSEINHEIT
 UNIDADES SPLIT - UNIDADES CONDENSADORAS - UNIDADES EVAPORADORAS
 UNITÉS SPLIT - UNITÉS DE CONDENSATION - UNITÉS D'ÉVAPORATION
 UNIDADES SPLIT - UNIDADES CONDENSADORAS - UNIDADES EVAPORADORAS
 UNITA' SPLIT - UNITA' CONDENSATRICI - UNITA' EVAPORANTI





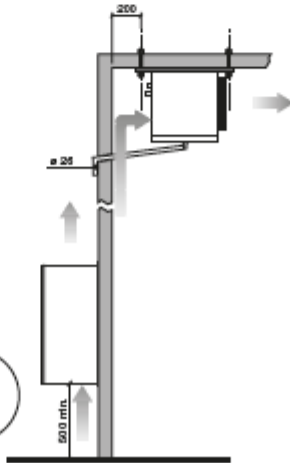
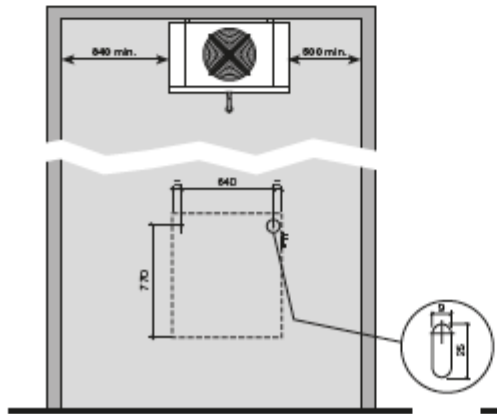
SPLIT UNITS HORIZONTAL
EINSCHUBAGGREGATE
 UNIDADES SPLIT HORIZONTALES
UNITÉS EN PAROI
 UNIDADES SPLIT HORIZONTAIS
UNITA' SPLIT ORIZZONTALI



Form
 Typ
 Forma
 Forme
 Forma
 Forma

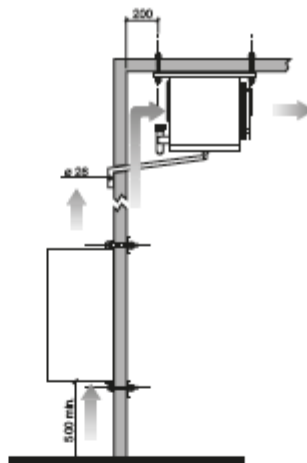
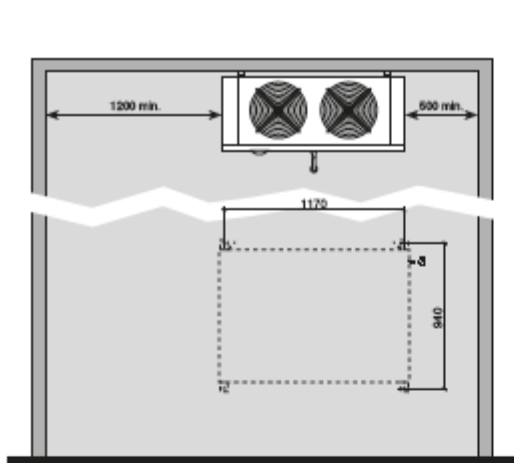
1
 2
 3

BI BLOCK UNITS
BI BLOCKGERÄTE
 UNIDADES BIBLOCK
UNITÉS BI BLOCK
 UNIDADES BIBLOCK
UNITA' BI BLOCK



Form
 Typ
 Forma
 Forme
 Forma
 Forma

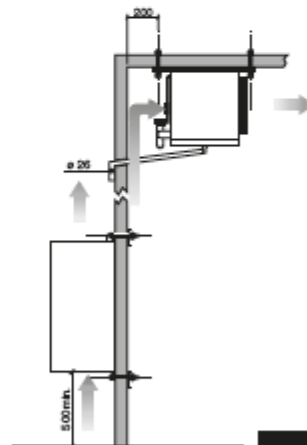
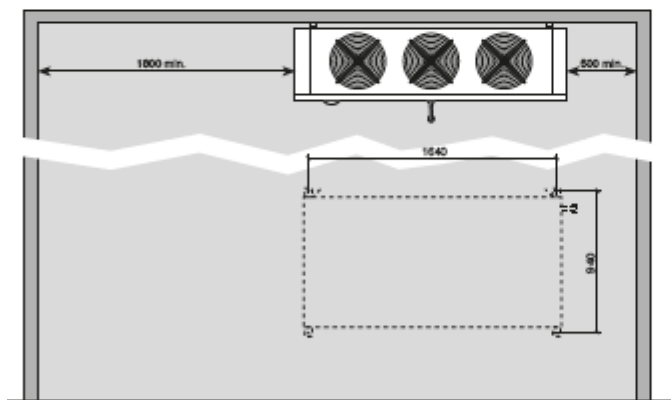
3



V

Form
Type
Forma
Forme
Forma
Forma

4

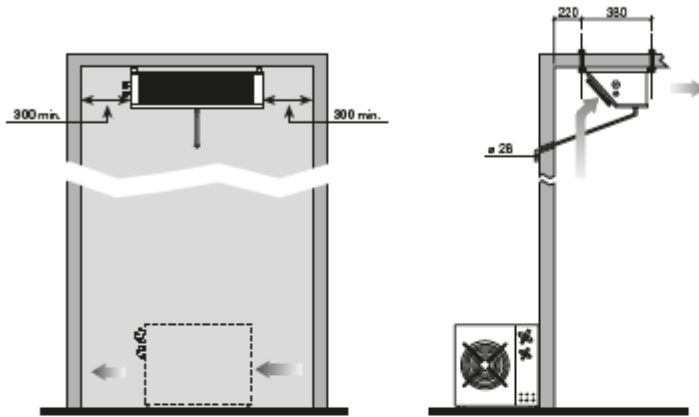


W

Form
Type
Forma
Forme
Forma
Forma

5

BI BLOCK UNITS - CONDENSING UNITS / HORIZONTAL
 BI BLOCKGERÄTE - VERFLÜSSIGUNGSEINHEITEN / WAAGERECHTEN
 UNIDADES BIBLOCK - UNIDADES CONDENSADORAS / HORIZONTALES
 UNITÉS BI BLOCK / UNITÉS DE CONDENSATION / HORIZONTALES
 UNDAES BBLOCK - UNDAES CONDENSADORAS / HORIZONTALS
 UNITA' BI BLOCK - UNITA' CONDENSATRICI / ORIZZONTALI

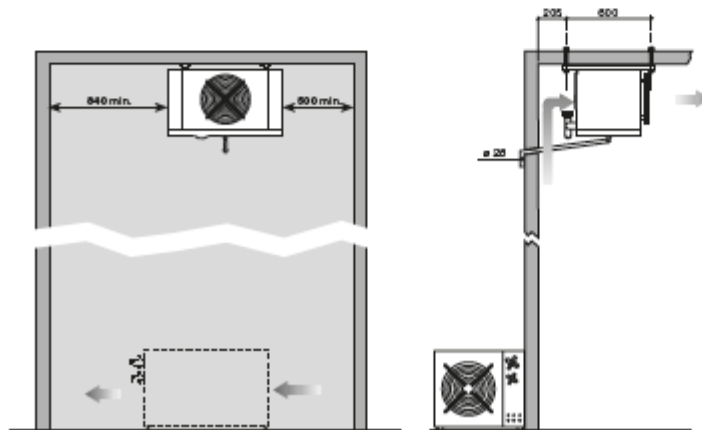


Form
 Typ
 Forma
 Forme
 Forma
 Forma

1

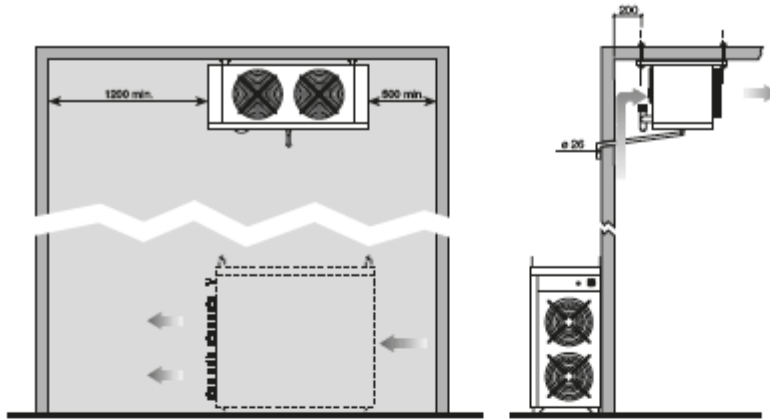
2

3a



Form
 Typ
 Forma
 Forme
 Forma
 Forma

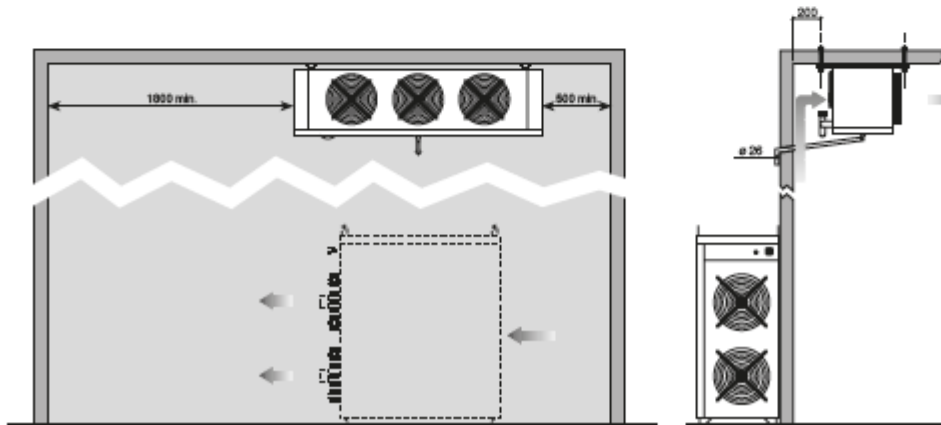
3b



Z

Form
Typ
Forma
Forme
Forma
Forma

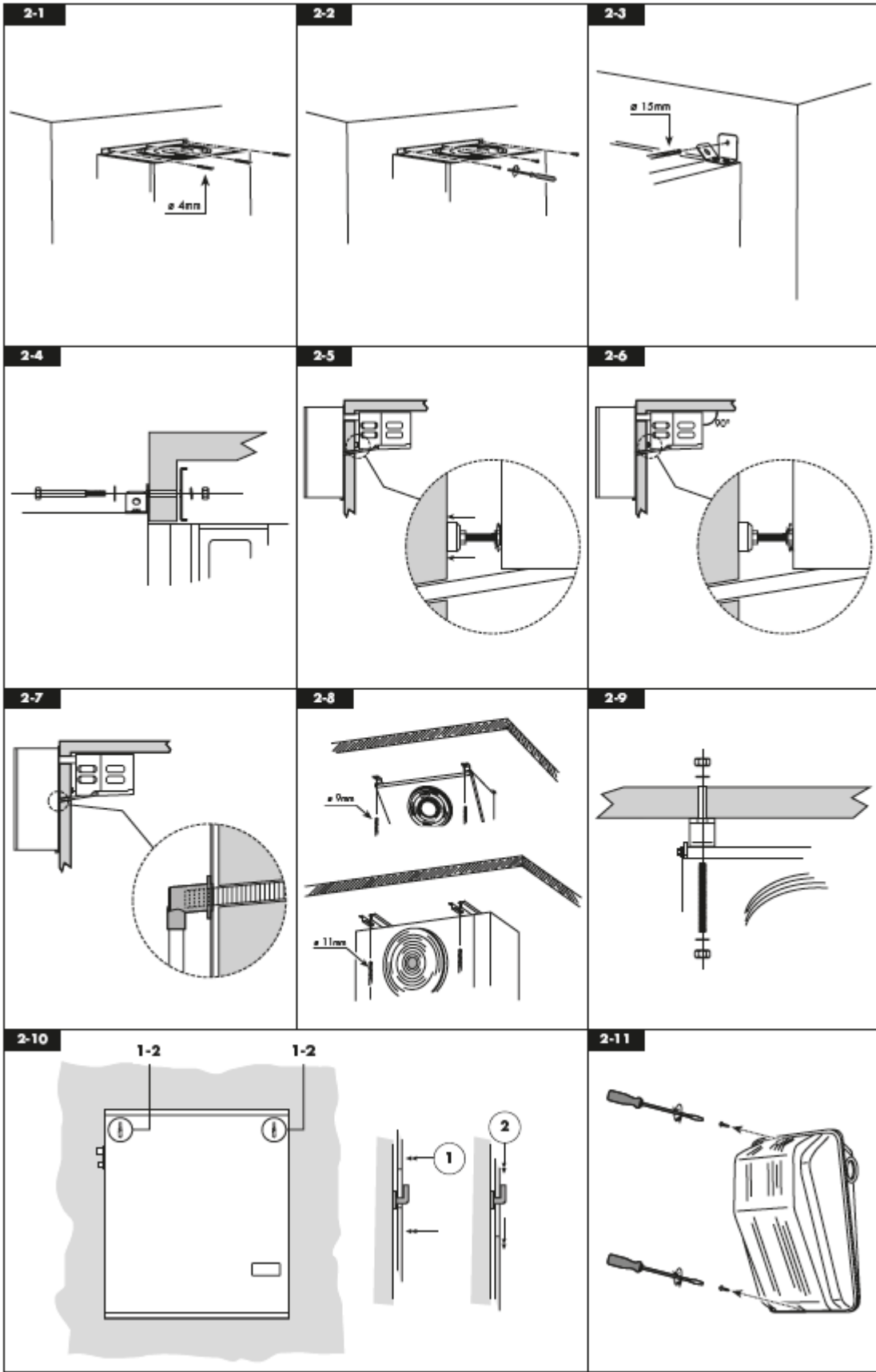
4

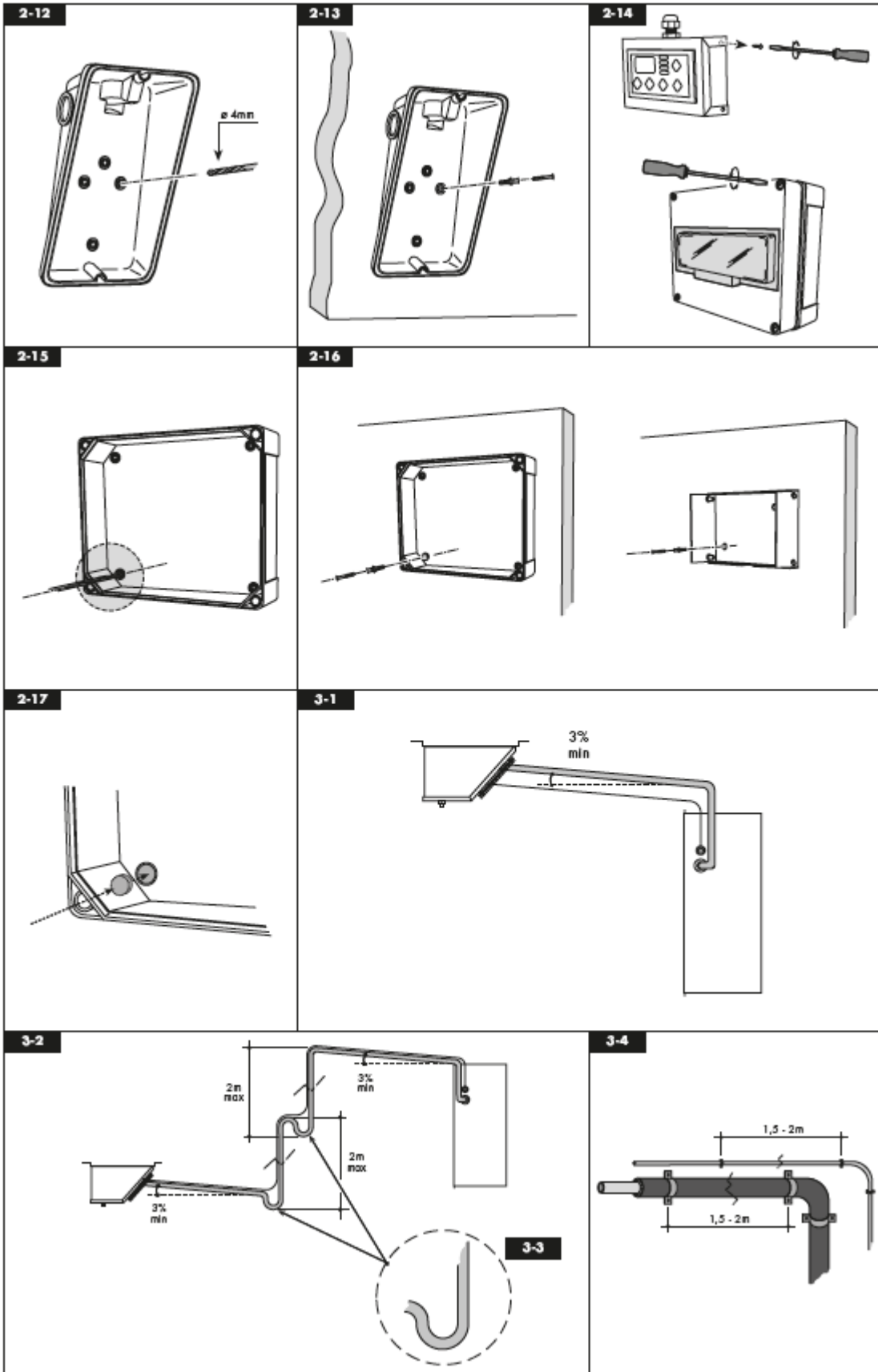


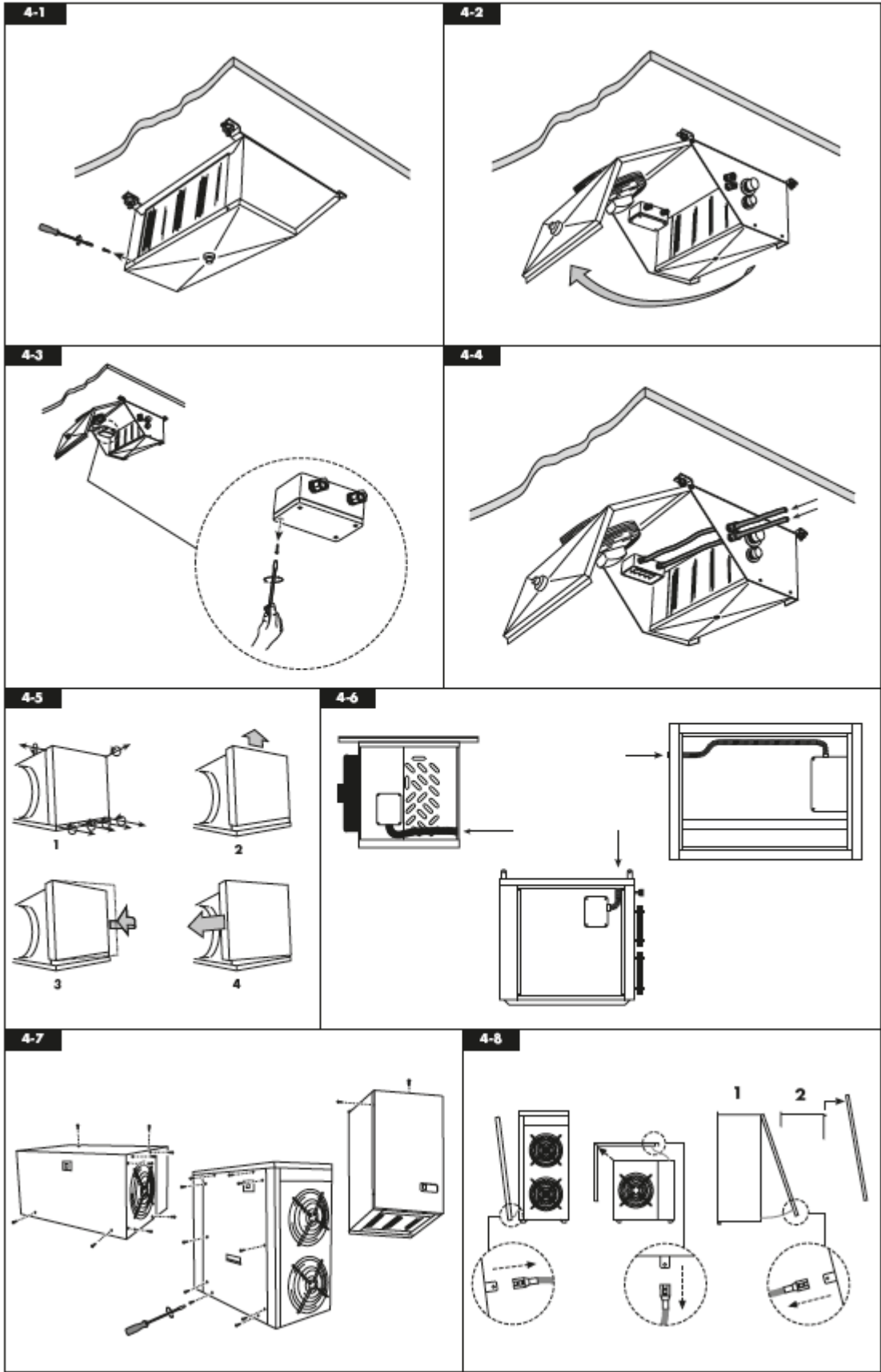
Z₂

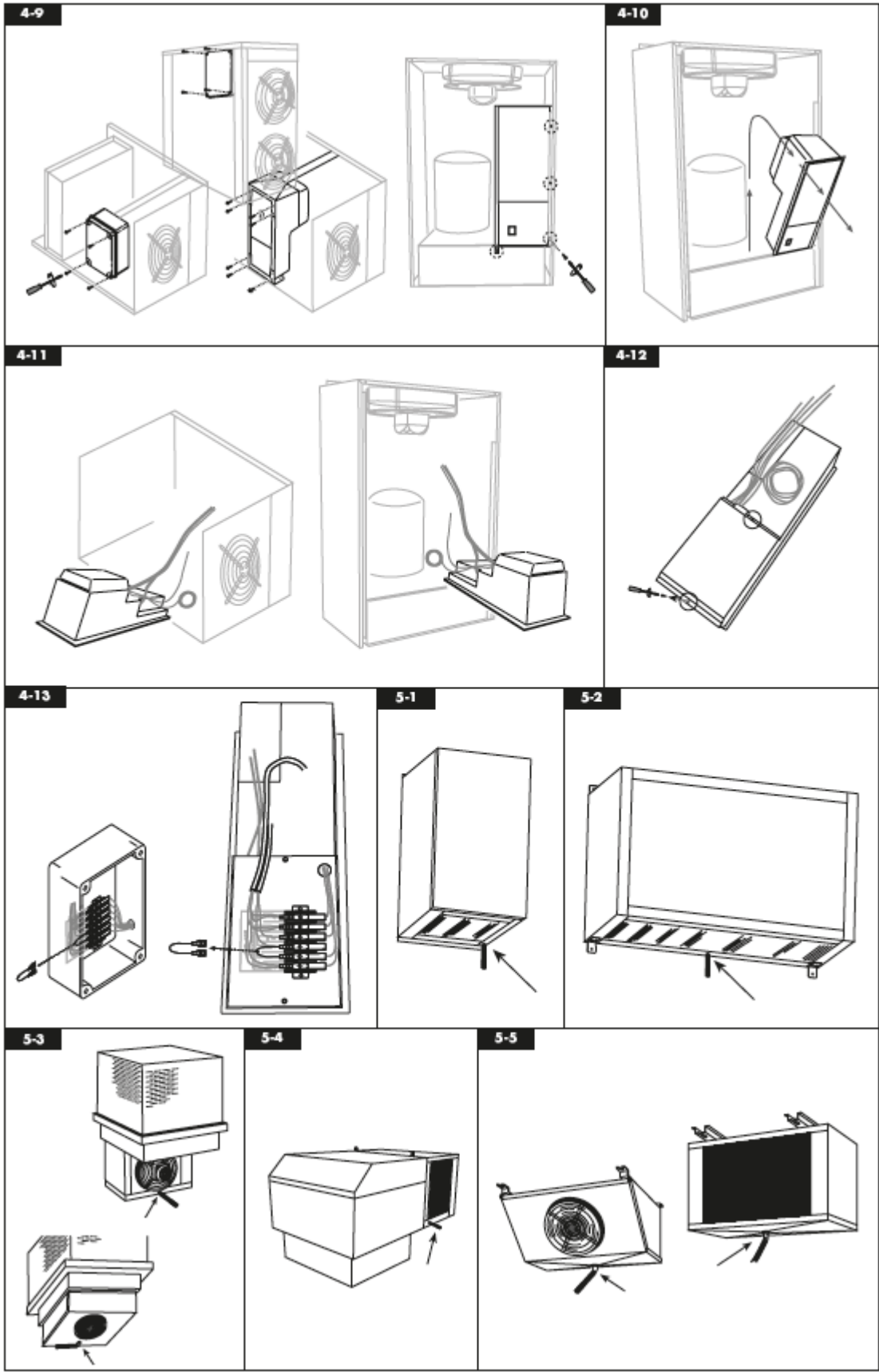
Form
Typ
Forma
Forme
Forma
Forma

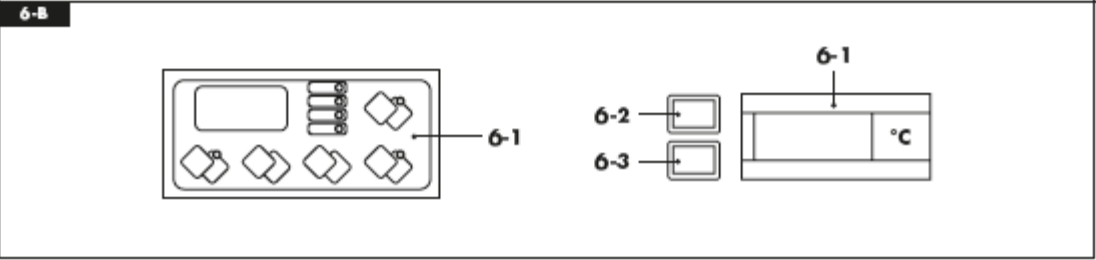
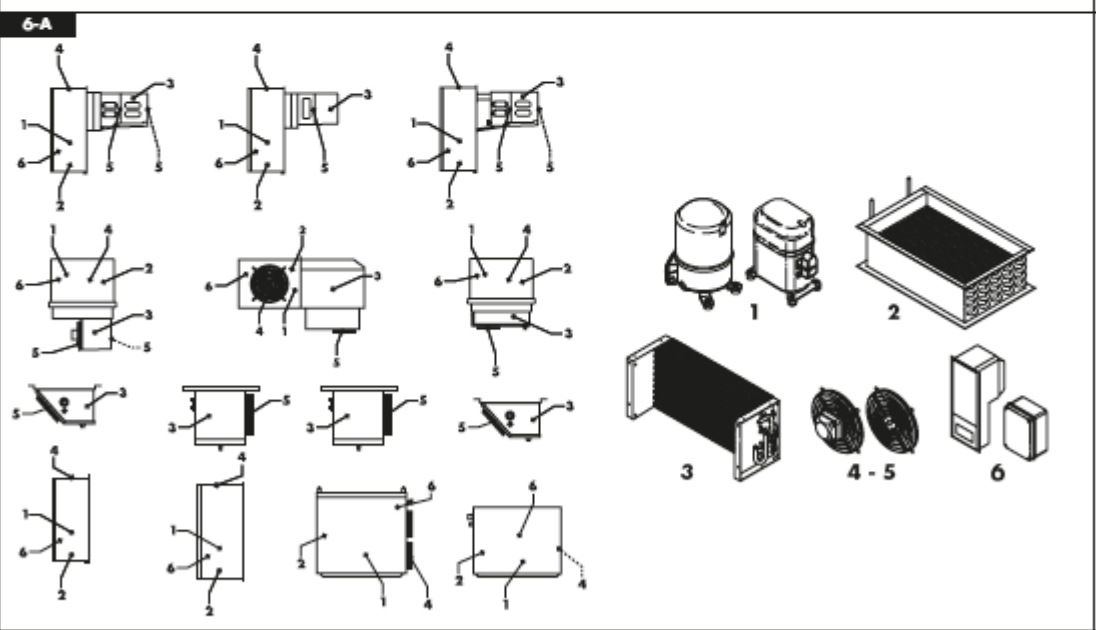
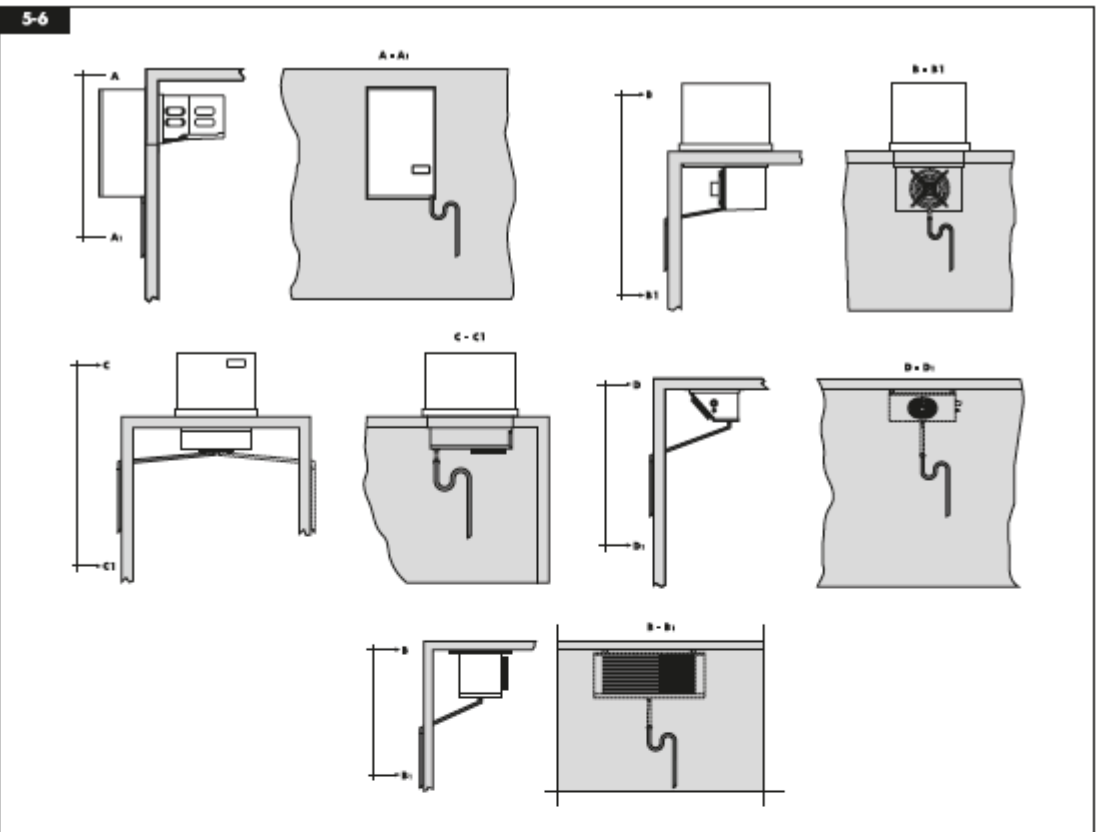
5

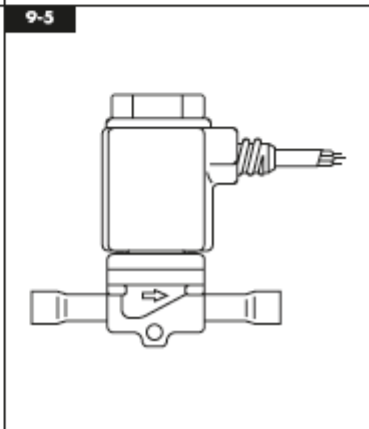
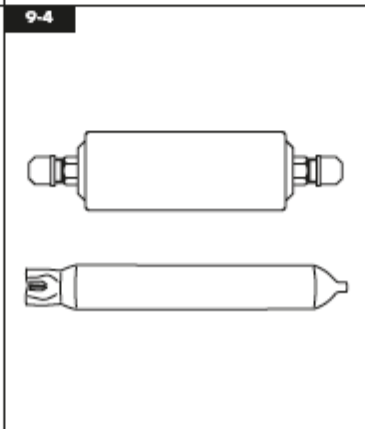
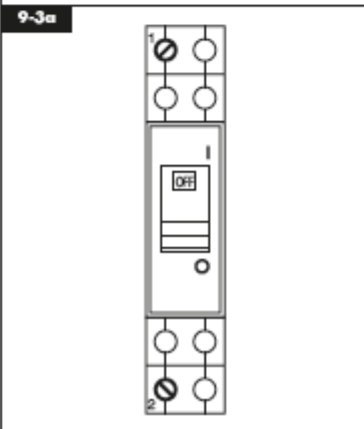
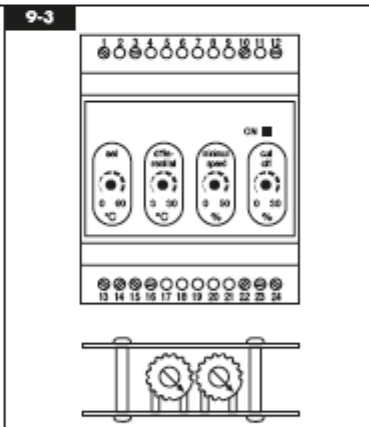
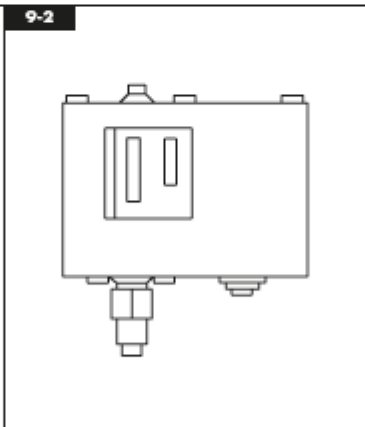
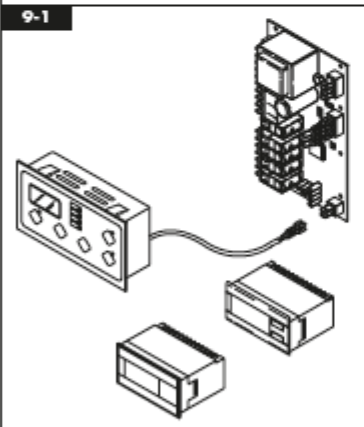
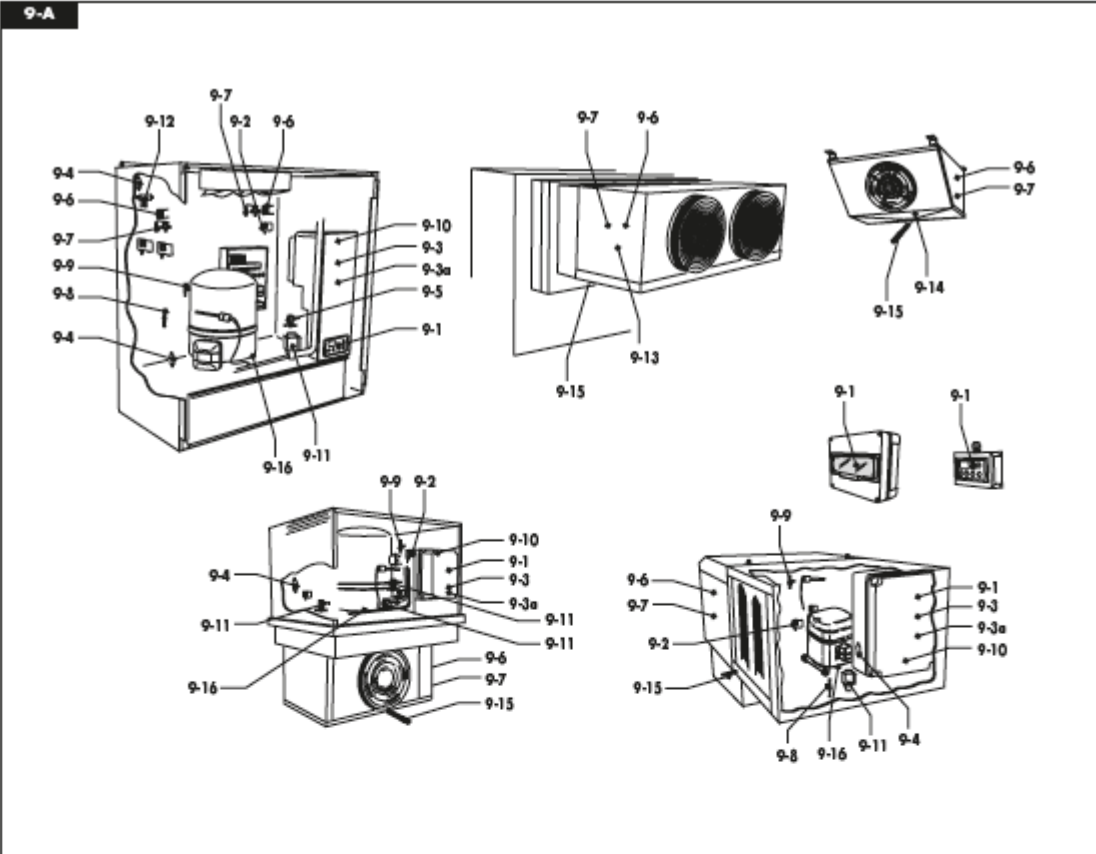


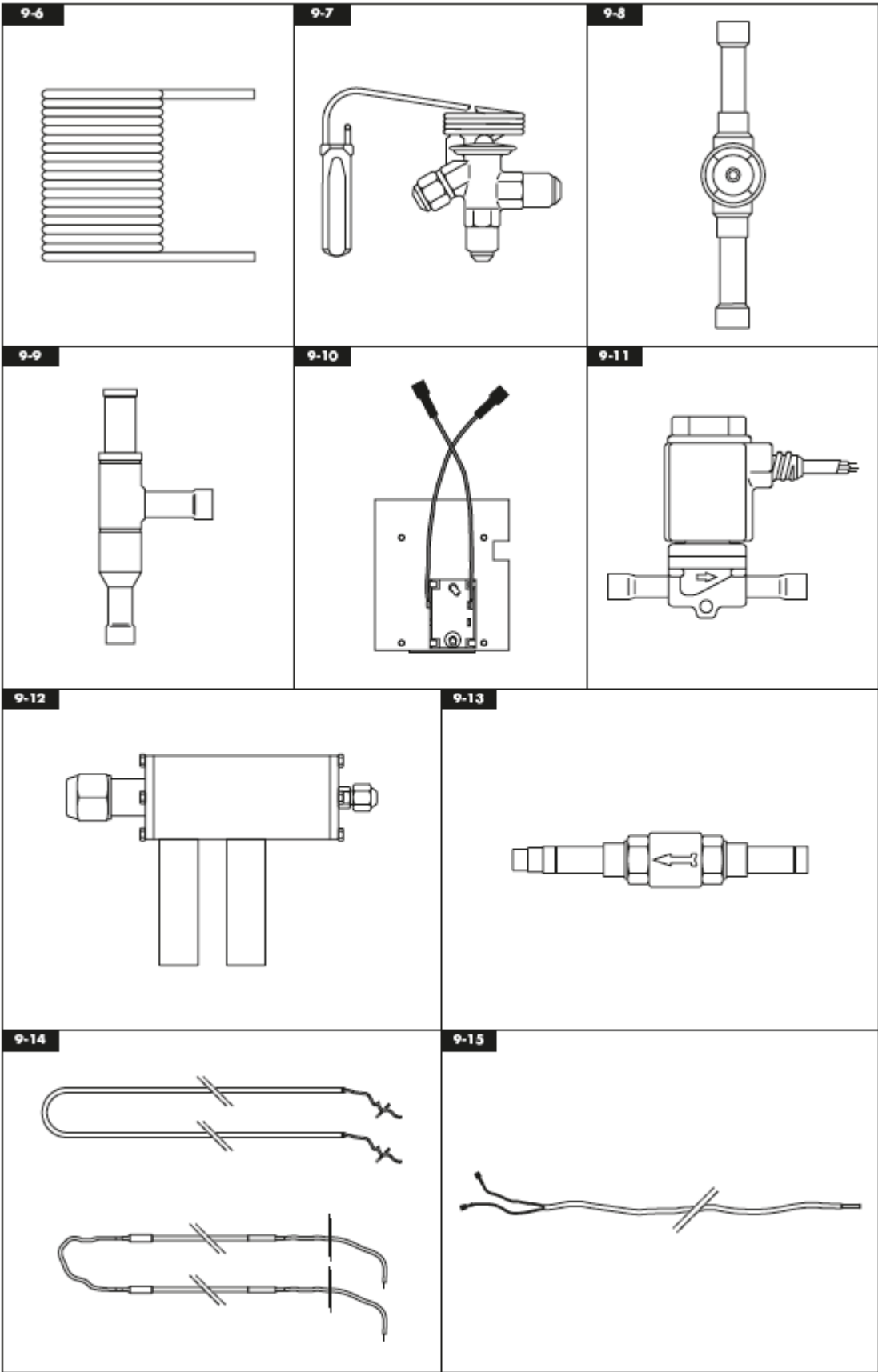




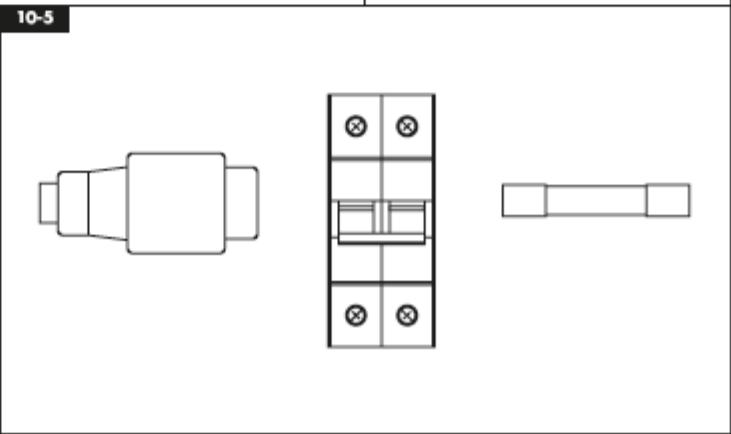
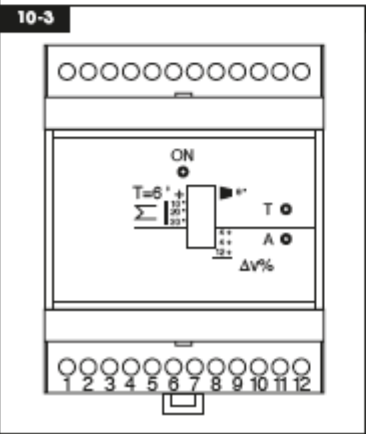
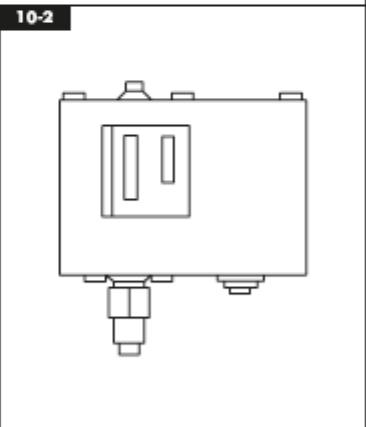
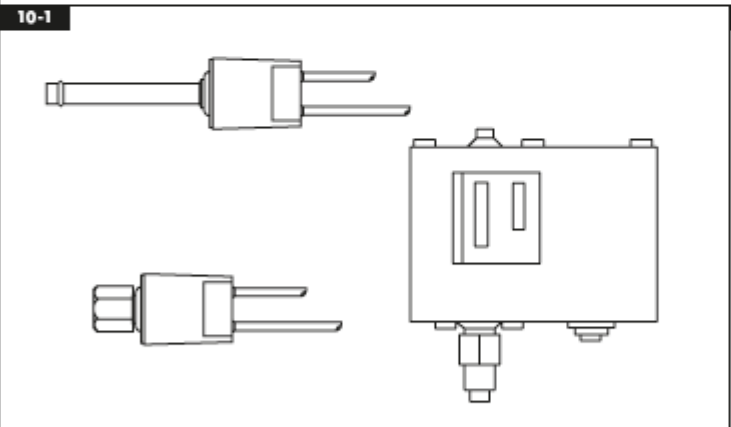
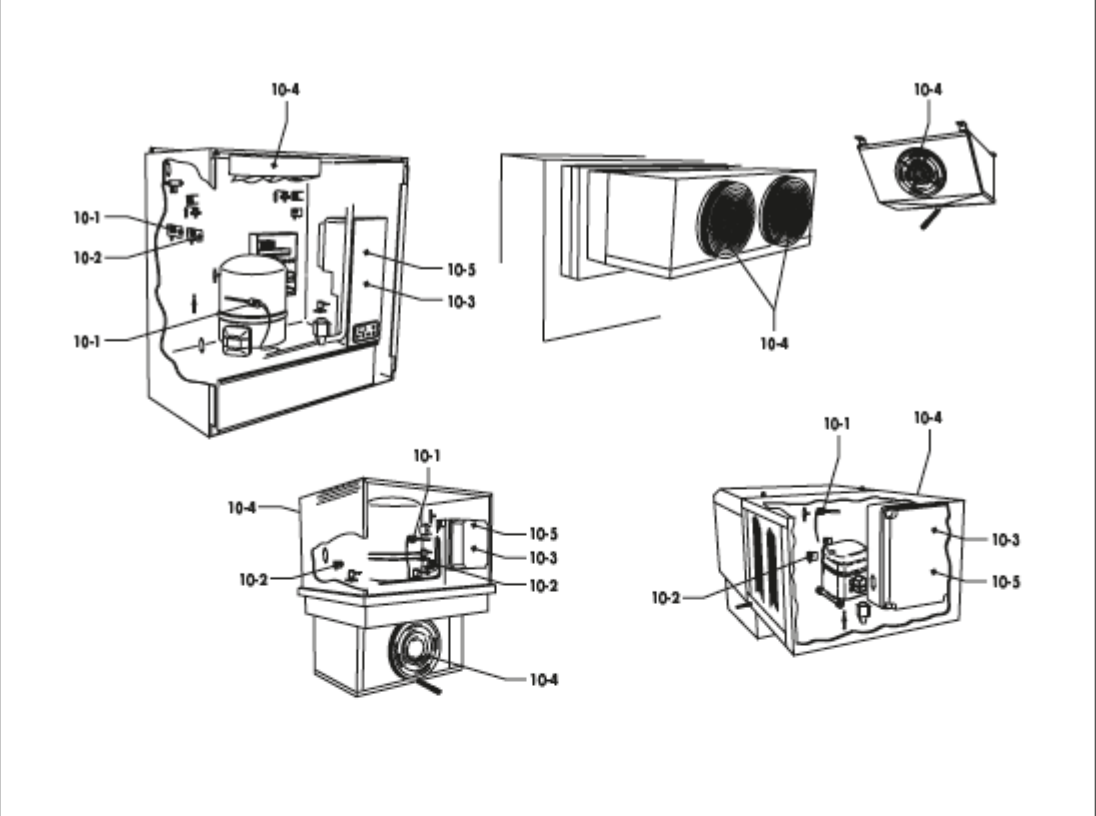


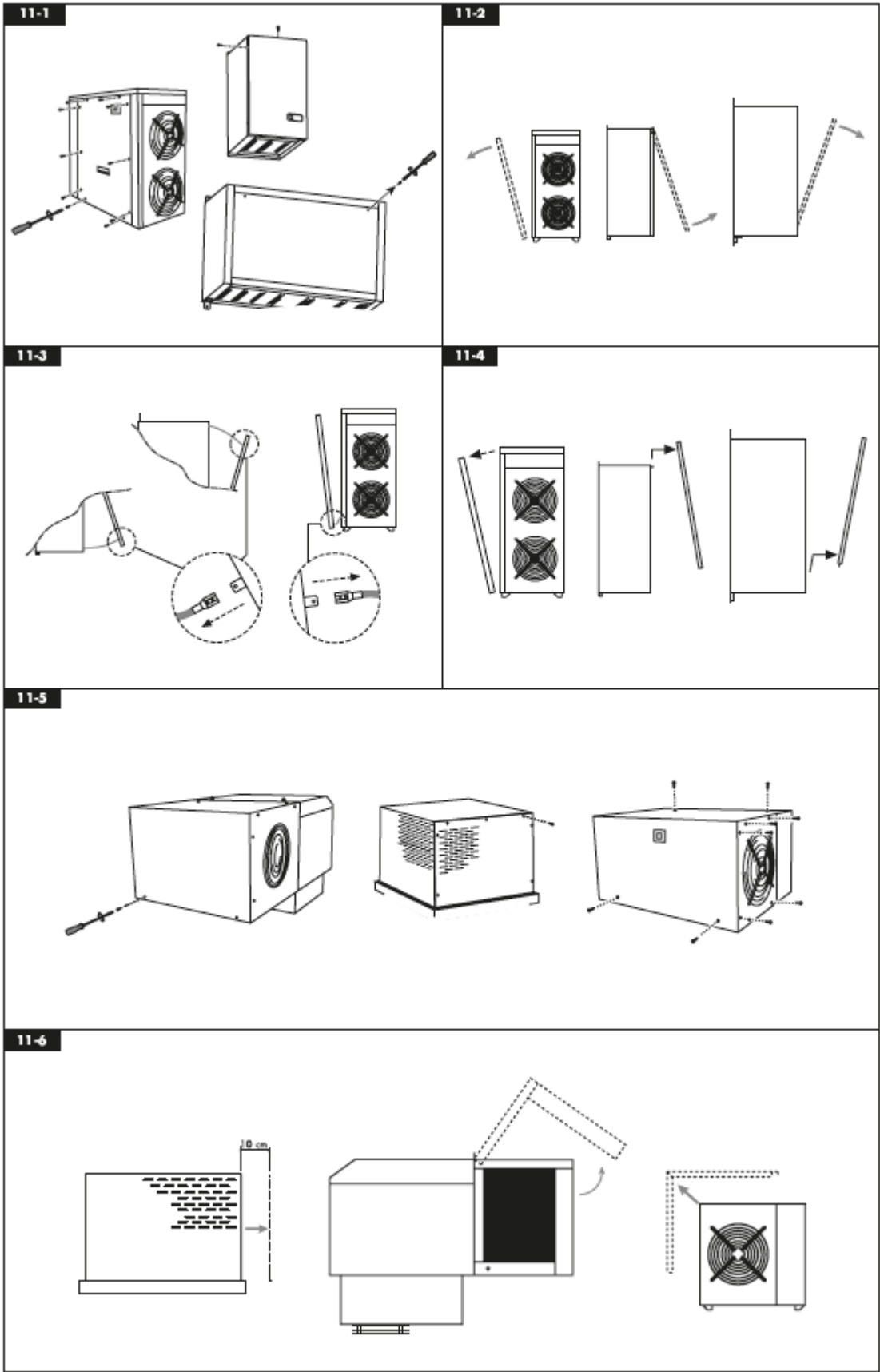




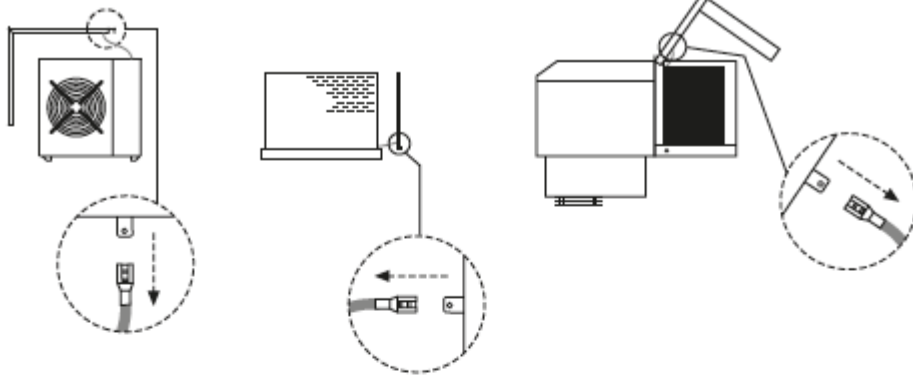


10-A

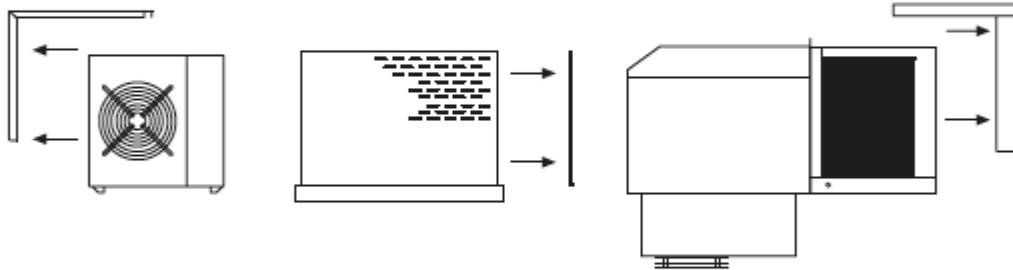




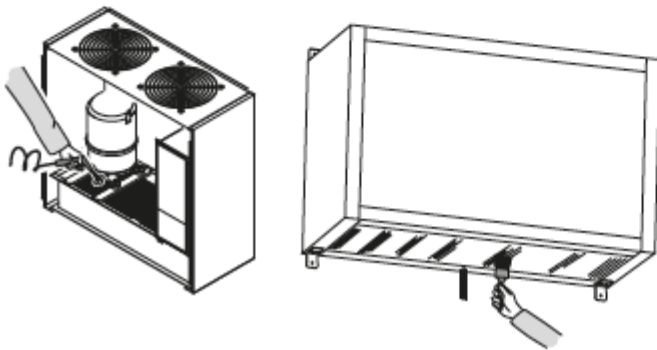
11-7



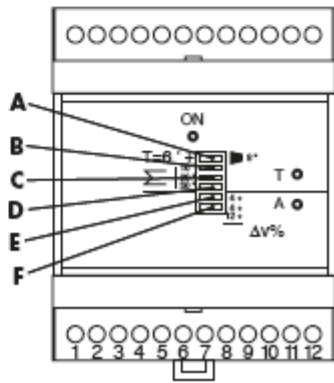
11-8

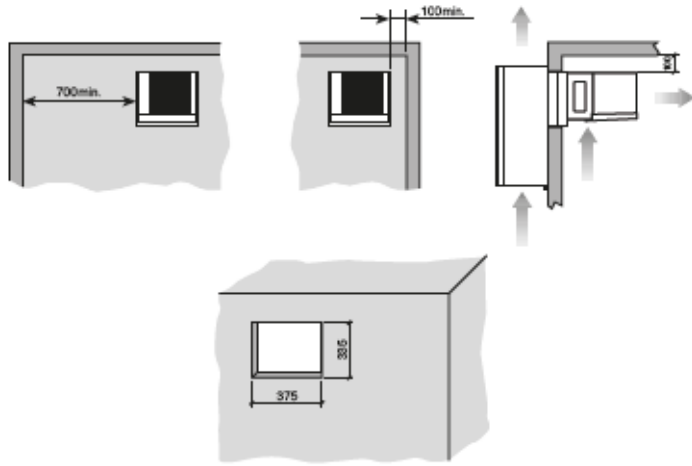


11-9



12-1



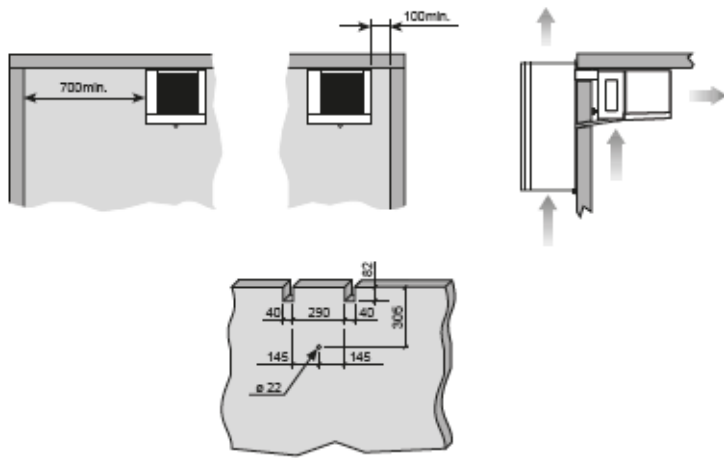


WALL-MOUNTING
UNITS "SMALL"

NEW
models

Form
Typ
Forma
Forme
Forma
Forma

1S

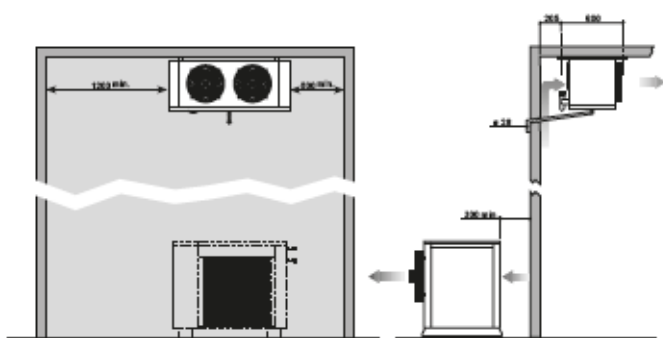


STRADDLE
UNITS "SMALL"

NEW
models

Form
Typ
Forma
Forme
Forma
Forma

1S

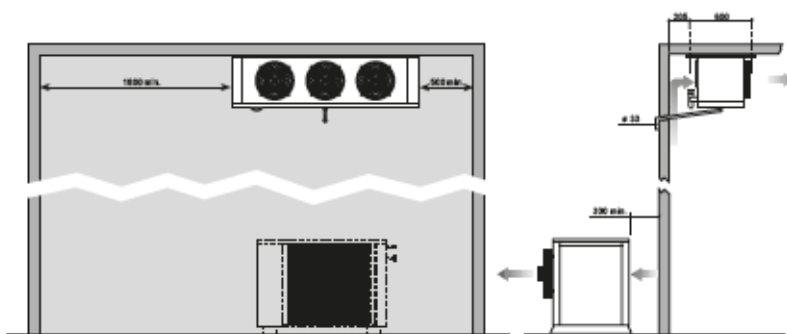


FLOOR COMMERCIAL
BI-BLOCK SYSTEMS

NEW
models

Form
Typ
Forma
Forme
Forma
Forma

4

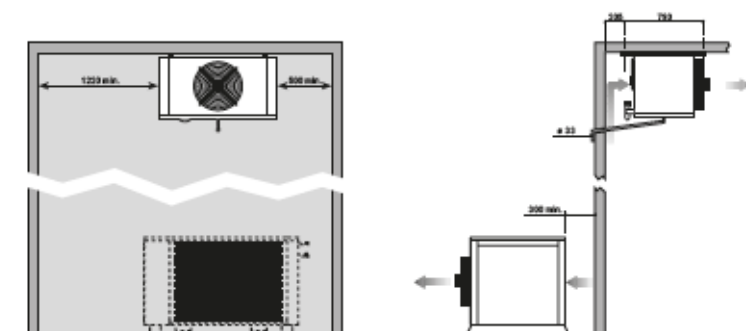


FLOOR COMMERCIAL
BI-BLOCK SYSTEMS

NEW
models

Form
Typ
Forma
Forme
Forma
Forma

5



FLOOR COMMERCIAL
BI-BLOCK SYSTEMS

NEW
models

Form
Typ
Forma
Forme
Forma
Forma

6

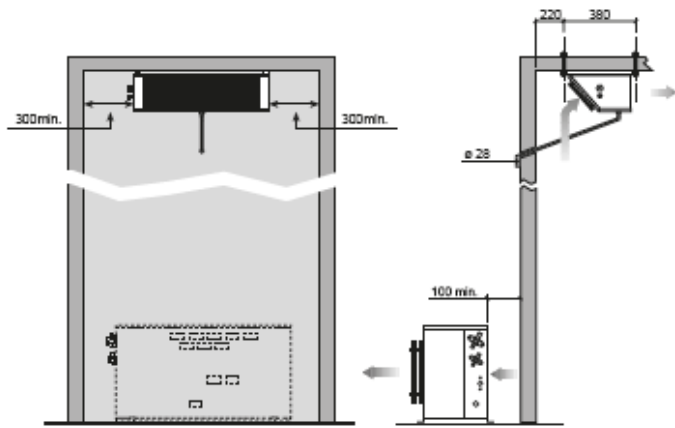
The diagram illustrates a floor commercial bi-block system. On the left, a cross-section of a cabinet is shown with a door at the bottom. A white zigzag line indicates a break in the drawing. Above the door, there are two circular components, possibly fans or lights. Dimensions are indicated: 1600 mm for the width of the upper section and 300 mm for the width of the door. On the right, a detailed view of the door assembly is shown, including a vertical support post and a horizontal door frame. Dimensions include 300 mm for the door width, 700 mm for the height of the upper part of the assembly, and 200 mm for the height of the lower part. Arrows indicate the direction of movement or assembly.

NEW models

Form
 Typ
 Forma
 Forme
 Forma
 Forma

7

FLOOR COMMERCIAL
 BI-BLOCK SYSTEMS



LOW NOISE COMMERCIAL
BI-BLOCK SYSTEMS

NEW
models

