



Cold Display Unit
7090.0020- 7090.0025

User Manual
Gebruikershandleiding
Gebrauchsanweisung
Le mode d'emploi



CONTENT

ENGLISH

Brief Instruction	4
Warning	4
Parts of the Appliance.....	5
Product information	5
1. Overview.....	6
2. Transportation	6
3. Delivery and storage	6
4. Installation and use of the environment.....	6
5. Electrical connection.....	6
6. Technical specification	7
7. Loading of goods.....	7
8. Method of usage.....	7
9. Provisions and restrictions.....	7
10. Daily maintenance	8
11. Emergency	8
12. After-sales service.....	8
13. Decomposition and handling.....	8
14. Thermostat brief instructions	9

NEDERLANDS

Korte instructie	10
Waarschuwing	10
Onderdelen van het apparaat.....	11
Productinformatie	11
1. Overzicht.....	12
2. Transport.....	12
3. Levering en opslag	12
4. Installatie en gebruik in de omgeving	12
5. Elektrische aansluiting	12
6. Technische specificatie	13
7. Laden van goederen	13
8. Wijze van gebruik.....	13
9. Bepalingen en beperkingen	14
10. Dagelijks onderhoud	14
11. Noodgeval.....	14
12. Dienst na verkoop.....	14
13. Afbraak en behandeling.....	15
14. Korte instructies thermostaat.....	15

DEUTSCH

Kurzanleitung.....	16
Warnung.....	16
Teile des Geräts.....	17
Produktinformationen.....	17
1. Übersicht.....	18
2. Transport.....	18
3. Lieferung und Lagerung.....	18
4. Installation und Nutzung der Umgebung.....	18
5. Elektrischer Anschluss.....	18
6. Technische Daten.....	19
7. Beladen mit Waren.....	19
8. Art der Nutzung.....	19
9. Bestimmungen und Einschränkungen.....	20
10. Tägliche Wartung.....	20
11. Notfall.....	20
12. Kundendienst.....	20
13. Zersetzung und Handhabung.....	21
14. Thermostat Kurzanleitung.....	21

FRANÇAIS

Instruction sommaire.....	22
Avertissement.....	22
Parties de l'appareil.....	23
Informations sur le produit.....	23
1. Aperçu.....	24
2. Transport.....	24
3. Livraison et stockage.....	24
4. Installation et utilisation de l'environnement.....	24
5. Connexion électrique.....	24
6. Spécifications techniques.....	25
7. Chargement des marchandises.....	25
8. Méthode d'utilisation.....	25
9. Provisions et restrictions.....	26
10. Entretien quotidien.....	26
11. Urgence.....	26
12. Service après-vente.....	26
13. Décomposition et manipulation.....	27
14. Instructions court pour le thermostat.....	27

Brief Instruction

This manual provides a brief description of the product, users can understand the 7090.0020 and 7090.0025 products. Please read this manual carefully and keep it before operating the showcase. The manufacturer does not assume any liability for personal injury or property loss caused by operation which is not in accordance with the instructions. Each user who uses the showcase must read this manual carefully before using it.

Warning

1. If the supply cord is damaged, it must be replaced by the manufacturer or its service agent or a similarly qualified person in order to avoid a hazard.
2. This appliance can be used by children aged from 8 years and above and persons with reduced physical, sensory or mental capabilities or lack of experience and knowledge if they have been given supervision or instruction concerning use of the appliance in a safe way and understand the hazards involved
3. Children shall not play with the appliance.
4. Cleaning and user maintenance shall not be made by children without supervision.
5. The appliance must be positioned so that the plug is accessible.



6. **WARNING – Keep ventilation openings, in the appliance enclosure or in the built-in structure, clear of obstruction**

WARNING – Do not use mechanical devices or other means to accelerate the defrosting process, other than those recommended by the manufacturer

WARNING – Do not damage the refrigerant circuit

WARNING – Do not use electrical appliances inside the food storage compartments of the appliance, unless they are of the type recommended by the manufacturer

Do not store explosive substances such as aerosol cans with a flammable propellant inside the appliance

Please according to local regulations regarding disposal of the appliance for its flammable refrigerant and blowing gas. Before you scrap the appliance, please take off the doors to prevent children trapped.

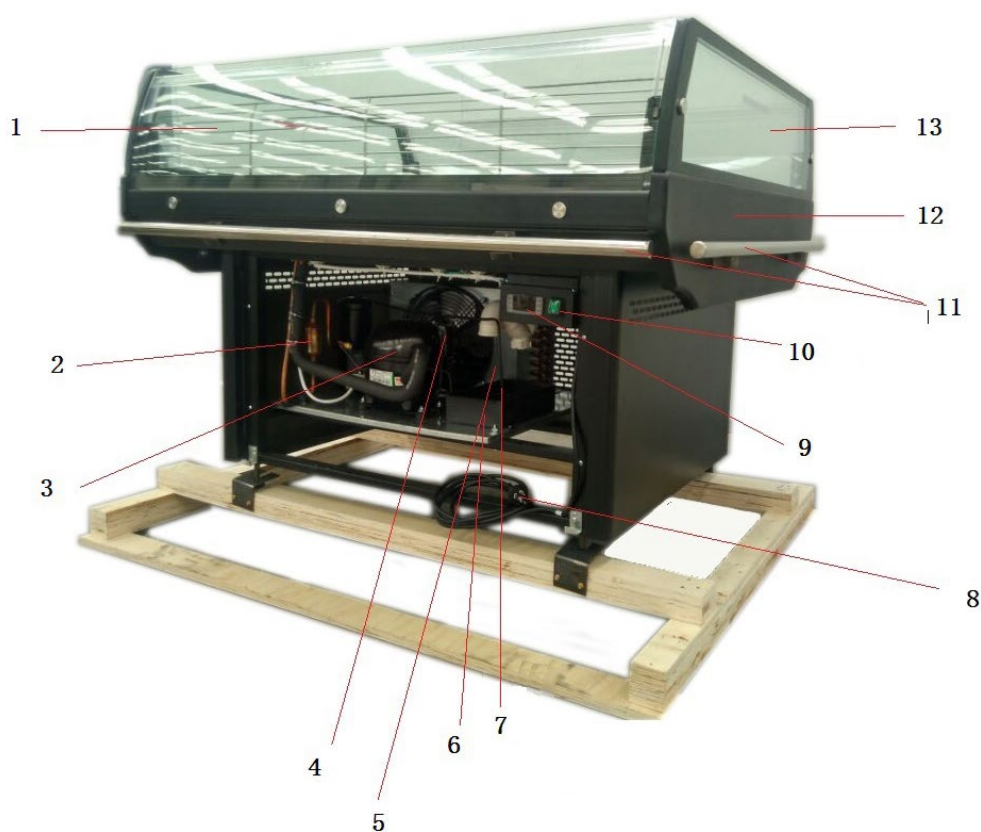


Correct Disposal of this product

This marking indicates that this product should not be disposed with other household wastes throughout the EU. To prevent possible harm to the environment or human health from uncontrolled waste disposal, recycle it responsibly to promote the sustainable reuse of material resources. To return your used device, please use the return and collection systems or contact the retailer where the product was purchased. They can take this product for environmental safe recycling.



Parts of the Appliance



- 1: Glass
- 2: Drying filter
- 3: Compressor
- 4: Condensing fan
- 5: condenser
- 6 Evaporation water box
- 7: Evaporating dish
- 8: Power cord
- 9: Thermostat
- 10: switch
- 11: Guard bar
- 12: Foam side plate
- 13: Hollow glass

Product information

Technical parameter

MODEL	7090.0020 / 7090.0025
Voltage	220V—240V/50Hz
Rated Output (W)	680w
Defrost Power (W)	150w
Climate type	3 (25°C, 60%) or 4 (30°C, 55%)

1. Overview

The 7090.0020 and 7090.0025 refrigeration showcases are for storing frozen fruit or sliced fruit. The dimensions: 1370 x 1080 x 960. Its features are clearly stated in the figure on page 2.

2. Transportation

These showcases are packed in special wooden boxes for forklift transportation. Carry the equipment onto a self-contained pallet or similar platform and use a manual or electric lift truck with sufficient weightlifting capacity to carry such a showcase. Please assign after-sales service provider to deal with the handling.

3. Delivery and storage

Before confirming receipt of the goods, please check the external package of the showcase. If the package is damaged, please unpack it in front of forwarder and sign it on the delivery note. Please keep the delivery note and reserve the right to claim on the forwarder. Vendor or supplier shall not be liable for any damage caused by incorrect handling during transportation or storing. Unpacking work should be operated by the designated after-sales service providers. The showcase cabinet should be stored between 25°C and 45°C and the air humidity should be between 30% and 80%. Showcase should stay away from direct sunlight and electronic components.

4. Installation and use of the environment

Note: The showcase must not be installed in a room with explosive gas and cannot be used outdoors or in the rain.

Before connecting the showcase, please confirm that the data on nameplate of showcase matches the existing parameters (see table on page 5). Correct operation: Put the showcase on the flat floor, stay away from heat and (or) direct sunlight, door, windows, fan or vent. In front of the showcase, leave the appropriate space for customers to pick up goods, when the two showcases are placed back-to-back, please make sure the outlet of condenser toward the outside to avoid compressor's high pressure protection.

Clean up the water in the drainage pate at least on time every day, twice better.

The showcase is equipped with the small casters for moving. If the position of the showcase has been fixed, you can use the spherical device at the bottom of the cabinet to lock the casters.

5. Electrical connection

Note: In front of the showcase you must install a multi-pole power switch with sufficient power off capability and a contact spacing of at least 3mm. In any emergency situation, the position of the power switch must be reached to the maximum distance of 3 meters. Each person who may operate the showcase must know the location of the power switch.

The installation of the showcase must be carried out by the professional in accordance with the manufacturer's instructions and local regulations. Any incorrect installation may cause injury to people, animals and property. The cabinet is equipped with a 1.5 meter wire and a related plug. Do not exceed this length when connecting to a wall socket.

The power cord must be properly wired and away from shock, liquid, heat, and maintained in good condition. If the power cord is damaged, it must be replaced by a professional. It is not recommended to use an adapter plug. Only when it is necessary, can use qualified models and ensure proper grounding.

Confirm that the supply voltage matches the voltage value indicated on the nameplate of the showcase. Please note that the maximum voltage range is $\pm 6\%$.

Note: The showcase must be properly grounded. The vendor or supplier is not responsible for any hazardous consequences resulting from non-compliance with this safety guideline. If the showcase has to be installed away from the power supply, make sure that the circuit is properly connected in accordance with national regulations. The manufacturer shall not be liable for any personal injury or property damage caused by improper electrical installation.

6. Technical specification

The build-in electrical device of the showcase consists of the control units located at the base of the cabinet. Related circuit diagram instruction, parts list and user manual are all in the sealed plastic bag. Please keep these documents and user manual safe.

We hereby declare that the showcase complies with the N 108 Act of 25 January 1992 as a result of the implementation of the ECC 89/109 standard of regulation for food contact material.

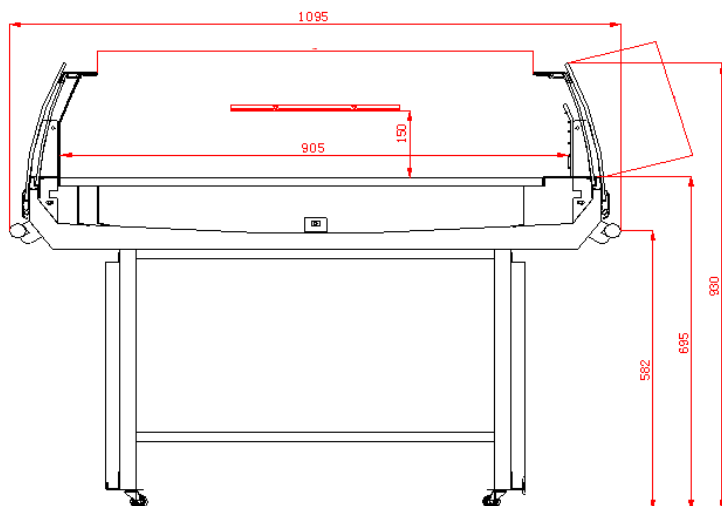
We hereby declare that the showcase is suitable for the storage of frozen fruit products which is in accordance with Decree No.283 of 19th, April, 1942 and its subsequent decree, as well as the Decree No.85 of 《Official Announcement》 published in 26th, March, 1981 <Date of Decree: January 29, 1981>

The thermostat can only be used when the after-sale service provider need to make adjustment.

7. Loading of goods

Connect the cabinet to the wall socket and turn on the showcase by power switch. The showcase will start the refrigeration system. Before loading of the goods into the showcase, it need to run 2 hours to reach the temperature of goods storage. The expected performance of the showcase has been set before delivery from factory.

When loading of the goods into the showcase, please confirm that the size and variety of the goods are similar; The goods do not exceed the loading line and do not affect the normal flow of cold air (figure below).



8. Method of usage

This showcase is designed and manufactured for storage of frozen fruits. This type of showcase is for storage of pre-packaged fresh fruit. The function of the showcase is mainly to keep the temperature of the food, not to lower the temperature of the food. So, when loading the of goods to the showcase, the food should be at the temperature of preservation.

9. Provisions and restrictions

Strictly prohibit to load the pharmaceutical products, glass-bottled items into the showcase, these items may be broken and cause some security risks. You cannot move the cover or panel that you need to remove with the tool, and you cannot move the cover of the electronic control board.

Vendor or suppliers shall not be liable for any damage resulting from non-standard, incorrect or unreasonable use.

10. Daily maintenance

Note: You must power off the showcase before servicing or cleaning.

Note: Ensure that the working area is bright enough during maintenance or cleaning operations. If necessary, use other light sources. Also note that the hot and removable parts have been marked on the related logo.

Cleaning of the showcase

1) Wash out the outer surface of the showcase every week, please use the soft cloth with mild soap or cleaning agent dissolved in cold water to wipe it carefully. Do not use detergent, solvent or only clean water.

2) Clean the condenser at least once every 30 days with a hard non-metallic brush. Non-clean condensers affect the cooling performance, resulting in energy waste.

Follow these steps below:

Power off the showcase by turn off the switch power on the wall;

Remove the goods stored in the showcase to cold storage or other refrigeration equipment that has sufficient capacity to meet the requirements of freshness;

When the temperature of the showcase reach to room temperature, do not use a knife or similar tools to remove the ice on the evaporator, let it melt naturally;

Clean the inside of the showcase thoroughly and use the soft cloth with mild soap or cleaning agent dissolved in cold water to wipe it carefully.

After the showcase being completely dry by carefully checking, re-install and turn on the showcase.

Before putting the goods back to the showcase, it needs to run 2-3 hours.

Any maintenance operations that are not covered above must be carried out by a designated after-sales service provider or a qualified person.

11. Emergency

1) Showcase cannot be started or continue to work:

1. May be the power cut;
2. Power on the wall is off;

If it is not the reason above, please contact the after-sales service provider nearby, remove the food in the showcase to the cold storage or other refrigeration equipment that can guarantee the normal temperature of food storage.

2) Showcase refrigeration is not normal:

The condenser may have dirt that make it not be heat exchanged. If it is dust or dirt, clean up the condenser thoroughly.

12. After-sales service

If you need technical assistance, please contact the salesperson immediately. If you need accessories or spare parts, please contact with after-sales service provider. Please insist on using of original accessories or spare parts.

13. Decomposition and handling

In order to protect the environment, please follow the provisions of the national waste disposal regulations to store the parts and materials of the showcase, so that these materials can be properly handled and recycled. All parts cannot be regarded as urban solid waste, except for metal parts. In most of European countries, metal parts are not considered as the special garbage. Components that make up the refrigeration system cannot be reused or used separately, please send them to the center of professional recycling refrigeration equipment.

14. Thermostat brief instructions



SET

To display target set point, in programming mode it selects a parameter or confirm an operation



To start a manual defrost



In programming mode it browses the parameter codes or increases the displayed value



In programming mode it browses the parameter codes or decreases the displayed value

KEYS COMBINATION

- To lock or unlock the keyboard
- SET** + To enter in programming mode
- SET** + To return to room temperature display

LED	MODE	SIGNIFICATO
	On	Compressor enabled
	Flashing	Anti short cycle delay enabled (AC parameter)
	On	Defrost in progress
	Flashing	Dripping in progress
	On	Fans output enabled
	Flashing	Fans delay after defrost
°C	On	Measurement unit
	Flashing	Programming mode
°F	On	Measurement unit
	Flashing	Programming mode

How to check the settings

1. Press the SET button and the settings are displayed on the screen;
2. Press the SET button and it will return to the normal display after 5 seconds

How to modify the parameter value (into the user layer, the first layer)

The operation of modifying the parameter values is as follows:

1. Press the SET+ key for more than 3 seconds to enter the programming state (the "°C" or "°F" LED icon flashes).
2. Select the concerned parameter and press the "SET" key to display parameter value.
3. Use the or keys to modify the parameter value.
4. Press the "SET" key again to confirm and save the new value, then the next parameter name will be displayed.

Exit: Press the SET + keys or wait for 15 seconds without pressing any keys.

Note: The new value will also be saved after 15 seconds without pressing any keys.

Korte instructie

Deze handleiding geeft een korte beschrijving van het product, gebruikers kunnen hiermee de 7090.0020 en 7090.0025 producten leren kennen. Lees deze handleiding zorgvuldig door en bewaar deze voordat u de vitrine gebruikt. De fabrikant aanvaardt geen enkele aansprakelijkheid voor persoonlijk letsel of verlies van eigendommen als gevolg van gebruik dat niet in overeenstemming is met de instructies. Elke gebruiker die de vitrine gebruikt, moet deze handleiding zorgvuldig lezen voordat hij deze gebruikt.

Waarschuwing

1. Als het netsnoer beschadigd is, moet het worden vervangen door de fabrikant, zijn serviceagent of een vergelijkbare gekwalificeerde persoon om gevaar te voorkomen.
2. Dit apparaat kan worden gebruikt door kinderen van 8 jaar of ouder en door personen met lichamelijke, zintuiglijke of verstandelijke beperkingen of met onvoldoende ervaring of kennis als ze het apparaat onder toezicht gebruiken of als ze zijn voorzien van instructies over het veilig gebruik van het apparaat en zij de hieraan verbonden risico's hebben begrepen.
3. Zorg ervoor dat kinderen niet met het apparaat spelen.
4. Reiniging en onderhoud door de gebruiker mag niet door kinderen uitgevoerd worden, tenzij ze onder toezicht staan.
5. Het apparaat moet zo worden geplaatst dat de stekker toegankelijk is.



6. **WAARSCHUWING** – Houd ventilatieopeningen, in de behuizing van het apparaat of in de ingebouwde structuur, vrij van obstakels

WAARSCHUWING - Gebruik geen mechanische apparaten of andere middelen om het ontdooien te versnellen, behalve die door de fabrikant worden aanbevolen

WAARSCHUWING - Beschadig het koelcircuit niet

WAARSCHUWING - Geen elektrische apparaten in het opbergvakken van het apparaat gebruiken tenzij ze van het type zijn dat wordt aanbevolen door de fabrikant.

Bewaar geen explosieve stoffen zoals spuitbussen met een ontvlambaar drijfgas in dit apparaat

Volg de lokale voorschriften met betrekking tot de verwijdering van het apparaat omwille van het brandbaar koelmiddel en blaasgas. Voordat u het apparaat verwijdert, moet u de deuren afdoen om te voorkomen dat kinderen vast komen te zitten.

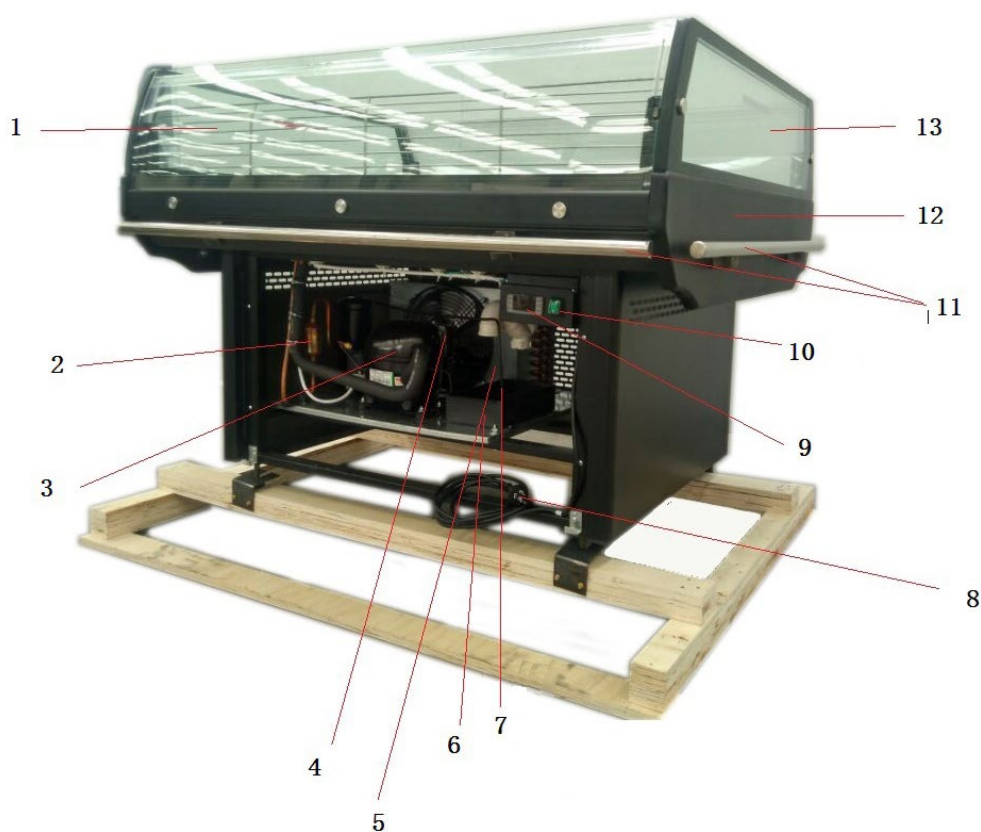


Correcte verwijdering van dit product

Deze markering geeft aan dat dit product niet met ander huishoudelijk afval mag weggegooid worden in de hele EU. Om mogelijke schade aan het milieu of de menselijke gezondheid door ongecontroleerde afvalverwijdering te voorkomen, moet u het product op een verantwoorde manier recycleren om het duurzame hergebruik van grondstoffen te bevorderen. Gelieve gebruik te maken van retour- en ophaalsystemen, indien u uw gebruikte apparaat wilt retourneren. Of neem contact op met de winkel waar u het product hebt gekocht. Zij kunnen dit product terugnemen voor milieuvriendelijke recycling.



Onderdelen van het apparaat



- 1: Glas
- 2: Droogfilter
- 3: Compressor
- 4: Condensorventilator
- 5: Condensor
- 6: Verdampingswaterkast
- 7: Verdampingsschaal
- 8: Netsnoer
- 9: Thermostaat
- 10: Schakelaar
- 11: Bescherm balk
- 12: Schuim zijplaat
- 13: Hol glas

Productinformatie

Technische kenmerken

MODEL	7090.0020 / 7090.0025
Spanning	220V—240V/50Hz
Nominaal Vermogen (W)	680w
Ontdooiingsvermogen (W)	150w
Klimaattype	3 (25°C, 60%) of 4 (30°C, 55%)

1. Overzicht

De koelvitrites 7090.0020 en 7090.0025 zijn voor het bewaren van bevroren fruit of gesneden fruit. De afmetingen: 1370 x 1080 x 960. De kenmerken zijn duidelijk vermeld in de figuur op pagina 2.

2. Transport

Deze vitrines zijn verpakt in speciale houten kisten voor vorkheftruck transport. Draag de apparatuur op een op zichzelf staand pallet of soortgelijk platform en gebruik een handmatige of elektrische heftruck met voldoende gewichtheffingscapaciteit om een dergelijke vitrine te dragen. Wijs een serviceprovider aan voor de afhandeling.

3. Levering en opslag

Voordat u de ontvangst van de goederen bevestigt, dient u de externe verpakking van de vitrine te controleren. Als de verpakking beschadigd is, pak het dan uit voor de afzender en onderteken de leveringsbon. Bewaar de leveringsbon en behoudt het recht voor om een claim in te dienen bij de afzender. Verkoper of leverancier is niet aansprakelijk voor schade veroorzaakt door onjuiste behandeling tijdens transport of opslag. Uitpakwerkzaamheden moeten worden uitgevoerd door de aangewezen after-sales dienstverleners. De vitrinekast moet tussen 25°C en 45°C worden bewaard en de luchtvochtigheid moet tussen 30% en 80% liggen. De vitrinekast moet uit de buurt blijven van direct zonlicht en elektronische componenten.

4. Installatie en gebruik in de omgeving

Opmerking: De vitrine mag niet worden geïnstalleerd in een ruimte met explosief gas en mag niet buiten of in de regen worden gebruikt.

Controleer voordat u de vitrine aansluit of de gegevens op het typeplaatje van de vitrine overeenkomen met de bestaande parameters (zie tabel op pagina 5). Correcte werking: Zet de vitrine op een vlakke vloer, houd weg van warmte en (of) direct zonlicht, deur, ramen, ventilator of ventilatieopening. Laat voor de vitrine voldoende ruimte zodat klanten goederen kunnen ophalen. Wanneer er twee vitrines achter elkaar worden geplaatst, zorg er dan voor dat de uitlaat van de condensor naar buiten toe loopt om de hoge drukbescherming van de compressor te voorkomen.

Reinig het water in de afvoerbak minstens elke dag, twee keer per dag is zelfs beter.

De vitrine is uitgerust met kleine zwenkwielen voor het verplaatsen. Als de positie van de vitrine vaststaat, kunt u het sferische apparaat aan de onderkant van de kast gebruiken om de wielen te vergrendelen.

5. Elektrische aansluiting

Opmerking: Voor de vitrine moet u een meerpolige stroomschakelaar installeren met voldoende uitschakelvermogen en een contactafstand van ten minste 3 mm. In elke noodsituatie moet de vermogensschakelaar op maximaal 3 meter van de vitrine liggen. Elke persoon die de vitrine bedient, moet de locatie van de aan/uit-schakelaar kennen.

De installatie van de vitrine moet worden uitgevoerd door de professional in overeenstemming met de instructies van de fabrikant en de lokale voorschriften. Elke onjuiste installatie kan letsel veroorzaken bij mensen, dieren en eigendommen. De kast is voorzien van een 1,5 meter draad en een bijbehorende stekker. Overschrijd deze lengte niet bij het aansluiten op een stopcontact.

Het netsnoer moet goed zijn aangesloten en uit de buurt zijn van schokken, vloeistoffen, warmte en in goede staat worden gehouden. Als het netsnoer beschadigd is, moet het worden vervangen door een professional. Het wordt niet aanbevolen om een adapterstekker te gebruiken. Wanneer nodig, gebruik gekwalificeerde modellen en zorg voor een goede aarding.

Controleer of de voedingsspanning overeenkomt met de spanningswaarde die is aangegeven op het typeplaatje van de vitrine. Houd er rekening mee dat het maximale spanningsbereik $\pm 6\%$ is.

Opmerking: De vitrine moet goed zijn geaard. De verkoper of leverancier is niet verantwoordelijk voor eventuele gevaarlijke gevolgen als gevolg van het niet naleven van deze veiligheidsrichtlijn. Als de vitrine ver weg van de voeding moet worden geïnstalleerd, zorg er dan voor dat het circuit correct is aangesloten in overeenstemming met de nationale regelgeving.

De fabrikant is niet aansprakelijk voor persoonlijk letsel of materiële schade veroorzaakt door onjuiste elektrische installatie.

6. Technische specificatie

Het ingebouwde elektrische apparaat van de vitrine bestaat uit de besturingseenheden aan de onderkant van de kast. De bijbehorende instructies voor het schakelschema, de onderdelenlijst en de gebruikershandleiding zitten allemaal in de verzegelde plastic zak. Bewaar deze documenten en gebruikershandleiding op een veilige plaats.

Hierbij verklaren wij dat de vitrine voldoet aan de Wet N 108 van 25 januari 1992 als gevolg van de implementatie van de ECC 89/109 norm voor materialen die met levensmiddelen in contact komen.

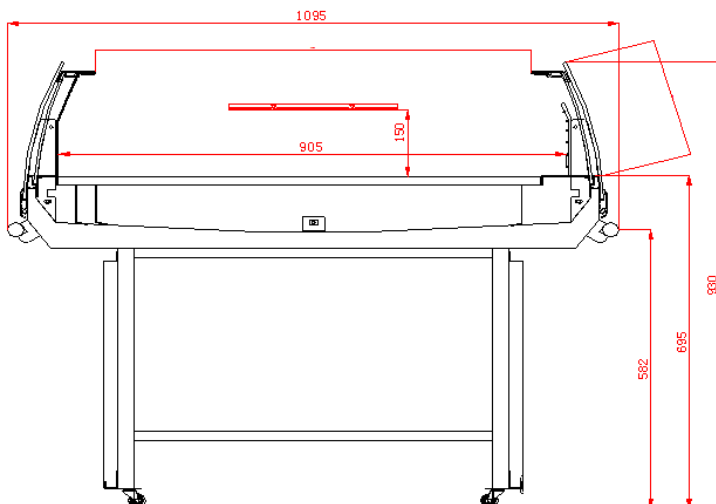
Hierbij verklaren wij dat de vitrine geschikt is voor de opslag van diepgevroren fruitproducten en in overeenstemming is met Decreet Nr. 283 van 19 april 1942 en het daaropvolgende Decreet, evenals het Decreet Nr. 85 van de "Officiële Aankondiging" gepubliceerd op 26 maart 1981 <Datum van Decreet: 29 januari 1981> januari. De thermostaat kan alleen worden gebruikt wanneer de serviceprovider na verkoop aanpassingen moet maken.

7. Laden van goederen

Sluit de kast aan op het stopcontact en schakel de vitrine in met de aan/uit-schakelaar. De vitrine zal het koelsysteem opstarten. Voordat de goederen in de vitrine worden geladen, moet deze 2 uur werken om de temperatuur van de goederenopslag te bereiken. De verwachte prestaties van de vitrine zijn ingesteld voor de levering in de fabriek.

Bevestig bij het laden van de goederen in de vitrine dat de grootte en verscheidenheid van de goederen vergelijkbaar zijn;

De goederen overschrijden de laadlijn niet en hebben geen invloed op de normale stroom van koude lucht (zie onderstaande afbeelding).



8. Wijze van gebruik

Deze vitrine is ontworpen en vervaardigd voor de opslag van bevroren fruit. Dit type vitrine is voor de opslag van voorverpakt vers fruit. De functie van de vitrine is vooral om de temperatuur van het voedsel te behouden, niet om de temperatuur van het voedsel te verlagen. Dus, bij het laden van de goederen in de vitrine, moet het voedsel al op de juiste temperatuur van bewaring zijn.

9. Bepalingen en beperkingen

Het laden van farmaceutische producten of artikelen in glazen flessen in de vitrine is ten strengste verboden. Deze items kunnen breken en veroorzaken een aantal veiligheidsrisico's. U mag de afdekking of het paneel dat u met het gereedschap moet verwijderen niet verplaatsen en u mag de afdekking van het elektronische bedieningspaneel ook niet verplaatsen.

Verkoper of leveranciers zijn niet aansprakelijk voor schade als gevolg van niet-standaard, onjuist of onredelijk gebruik.

10. Dagelijks onderhoud

Opmerking: U moet de vitrine uitschakelen voordat u onderhoud of reiniging uitvoert.

Opmerking: Zorg ervoor dat het werkgebied helder genoeg is tijdens onderhouds- of reinigingswerkzaamheden. Gebruik indien nodig andere lichtbronnen. Houd er ook rekening mee dat de hete en verwijderbare onderdelen met het bijbehorende logo zijn gemarkeerd.

Reiniging van de vitrine

1) Was het buitenoppervlak van de vitrine elke week, gebruik een zachte doek met milde zeep of reinigingsmiddel opgelost in koud water om het voorzichtig af te vegen. Gebruik geen reinigingsmiddel, oplosmiddel of alleen schoon water.

2) Reinig de condensor minstens elke 30 dagen met een harde niet-metalen borstel. Vuile condensoren beïnvloeden de koelprestaties, wat resulteert in energieverspilling.

Volg de onderstaande stappen:

Schakel de vitrine uit door de schakelaar op de muur uit te schakelen;

Verplaats de in de vitrine opgeslagen goederen naar een koel- of vriesinstallaties die voldoende capaciteit hebben om aan de vereiste versheid te voldoen;

Wanneer de temperatuur van de vitrine op kamertemperatuur komt, gebruik dan geen mes of soortgelijk gereedschap om het ijs op de verdampers te verwijderen, maar laat het op natuurlijke wijze smelten;

Reinig de binnenkant van de vitrine grondig en gebruik een zachte doek met milde zeep of reinigingsmiddel opgelost in koud water om deze voorzichtig af te vegen.

Nadat u zorgvuldig gecontroleerd hebt of de vitrine volledig droog is, plaats hem terug en zet de vitrine weer aan.

Voordat de goederen terug naar de vitrine worden gebracht, moet deze 2-3 uur werken.

Onderhoudswerkzaamheden die hierboven niet worden behandeld, moeten worden uitgevoerd door een aangewezen serviceprovider of een gekwalificeerd persoon.

11. Noodgeval

1) Showcase kan niet worden gestart of blijft niet werken:

1. Kan de stroom uitgevallen zijn;

2. De stroom op de muur is uitgeschakeld;

Als het niet om de bovenstaande redenen gaat, neem dan contact op met de serviceprovider in de buurt, verplaats het voedsel in de vitrine naar een koelcel of andere koelapparatuur die de normale temperatuur van de opslag van voedsel kan garanderen.

2) Vitrinekoeling is niet normaal:

De condensor kan vuil bevatten waardoor deze warmte niet kan uitgewisseld worden. Als het stof of vuil is, reinig de condensor dan grondig.

12. Dienst na verkoop

Als u technische hulp nodig hebt, neem dan onmiddellijk contact op met de verkoper. Als u accessoires of reserveonderdelen nodig hebt, neem dan contact op met de klantenservice. Dring aan op het gebruik van originele accessoires of reserveonderdelen.

13. Afbraak en behandeling

Om het milieu te beschermen, moet u de bepalingen van de nationale afvalverwerkingsvoorschriften volgen om de onderdelen en materialen van de vitrine te bewaren, zodat deze materialen op de juiste manier kunnen worden gehanteerd en gerecycled. Alle onderdelen kunnen niet als vast stedelijk afval worden beschouwd, met uitzondering van metalen onderdelen. In de meeste Europese landen worden metalen onderdelen niet als speciaal afval beschouwd. Componenten die deel uitmaken van het koelsysteem kunnen niet afzonderlijk worden hergebruikt of gebruikt, stuur ze naar een centrum van professionele recycling van koelapparatuur.

14. Korte instructies thermostaat



SET

Om het richtpunt weer te geven, selecteer in de programmeermodus een parameter of bevestig een bewerking.



Om een handmatige ontdooiing te starten



In de programmeermodus bladert het door de parametercodes of verhoogt het de weergegeven waarde.



In de programmeermodus bladert het door de parametercodes of verlaagt het de weergegeven waarde.

KEYS COMBINATION



Om het toetsenbord in- of uit te schakelen

Om in de programmeermodus te gaan

Om terug naar de kamertemperatuur display te gaan

LED	MODUS	BETEKENIS
	Aan	Compressor ingeschakeld
	Flitsen	Anti korte cyclus vertraging ingeschakeld (AC-parameter)
	Aan	Ontdooien in werking
	Flitsen	Bezig met druppen
	Aan	Ventilatoruitgang ingeschakeld
	Flitsen	Ventilatorvertraging na ontdooien
	Aan	Meeteenheid
	Flitsen	Programmeermodus
	Aan	Meeteenheid
	Flitsen	Programmeermodus

Hoe de instellingen controleren

1. Druk op de SET-KNOP en de instellingen worden op het scherm weergegeven;
2. Druk op de SET-KNOP en deze keert na 5 seconden terug naar de normale weergave

Hoe de parameterwaarde wijzigen (in de gebruikerslaag, de eerste laag)

De manier om de parameterwaarden te wijzigen is als volgt:

1. Druk langer dan 3 seconden op de SET+ toets om de programmeerstatus te bereiken (het LED-pictogram "° C" of "° F" knippert).
2. Selecteer de betreffende parameter en druk op de toets "SET" om de parameterwaarde weer te geven.
3. Gebruik de of toetsen om de parameterwaarde te wijzigen.
4. Druk nogmaals op de toets "SET" om de nieuwe waarde te bevestigen en op te slaan, waarna de volgende parameter naam wordt weergegeven.

Afsluiten: Druk op de SET + toetsen of wacht 15 seconden zonder op een toets te drukken.

Opmerking: de nieuwe waarde wordt ook na 15 seconden opgeslagen zonder op een toets te drukken.

Kurzanleitung

Dieses Handbuch enthält eine kurze Beschreibung des Produkts, sodass Benutzer die Produkte 7090.0020 und 7090.0025 nachvollziehen können. Bitte lesen Sie dieses Handbuch sorgfältig durch und bewahren Sie es auf, bevor Sie den Vitrinenschrank in Betrieb nehmen. Der Hersteller übernimmt keine Haftung für Personen- oder Sachschäden, die durch einen nicht anweisungsgemäßen Betrieb verursacht werden. Jeder Benutzer, der die Vitrine benutzt, muss diese Anleitung vor der Benutzung sorgfältig lesen.

Warnung

1. Wenn das Netzkabel beschädigt ist, muss es vom Hersteller oder seinem Kundendienst oder einer entsprechend qualifizierten Person ersetzt werden, um eine Gefährdung zu vermeiden.
2. Dieses Gerät kann von Kindern ab 8 Jahren und Personen mit eingeschränkten körperlichen, sensorischen oder geistigen Fähigkeiten oder mangelnder Erfahrung und Kenntnis benutzt werden, wenn sie beaufsichtigt oder in die sichere Benutzung des Geräts eingewiesen wurden und die damit verbundenen Gefahren verstehen.
3. Kinder dürfen nicht mit dem Gerät spielen.
4. Reinigung und Benutzerwartung dürfen nicht von Kindern ohne Aufsicht durchgeführt werden.
5. Das Gerät muss so aufgestellt werden, dass der Stecker zugänglich ist.



6. **WARNUNG** – Halten Sie die Lüftungsöffnungen im Gehäuse des Geräts oder in der Einbaukonstruktion frei von Blockierungen

WARNUNG – Verwenden Sie keine mechanischen Vorrichtungen oder andere Mittel zur Beschleunigung des Abtauvorgangs, die nicht vom Hersteller empfohlen werden

WARNUNG – Beschädigen Sie den Kältemittelkreislauf nicht

WARNUNG – Benutzen Sie keine elektrischen Geräte in den Lebensmittelaufbewahrungsfächern des Geräts, es sei denn, es handelt sich um den vom Hersteller empfohlenen Typ

Lagern Sie keine explosiven Stoffe wie Spraydosen mit brennbarem Treibmittel im Gerät

Bitte beachten Sie die örtlichen Vorschriften für die Entsorgung des Geräts wegen des brennbaren Kältemittels und des ausströmenden Gases. Bevor Sie das Gerät verschrotten, nehmen Sie bitte die Türen ab, um zu verhindern, dass sich Kinder darin verfangen.



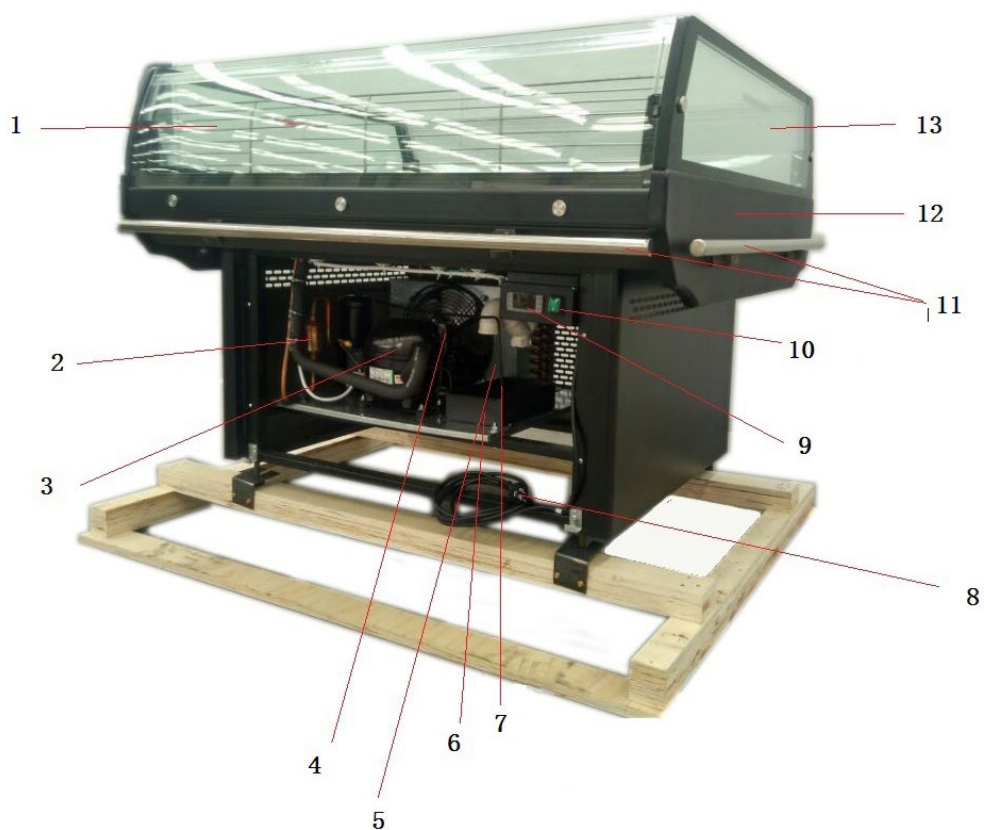
Korrekte Entsorgung dieses Produkts

Diese Kennzeichnung weist darauf hin, dass dieses Produkt in der gesamten EU nicht mit anderen Haushaltsabfällen entsorgt werden darf. Um mögliche Schäden für die Umwelt oder die menschliche Gesundheit durch unkontrollierte Abfallentsorgung zu vermeiden, recyceln Sie es verantwortungsvoll,



um die nachhaltige Wiederverwendung von Materialressourcen zu fördern. Um Ihr Altgerät zurückzugeben, nutzen Sie bitte die Rückgabe- und Sammelsysteme oder wenden Sie sich an den Händler, bei dem Sie das Produkt gekauft haben. Sie können dieses Produkt zum umweltgerechten Recycling annehmen.

Teile des Geräts



- 1: Glas
- 2: Trocknungsfilter
- 3: Kompressor
- 4: Kondensationsgebläse
- 5: Kondensator
- 6: Verdunstungswasserkasten
- 7: Verdunstungsschale
- 8: Netzkabel
- 9: Thermostat
- 10: Schalter
- 11: Schutzbügel
- 12: Schaumstoff-Seitenplatte
- 13: Hohlglas

Produktinformationen

Technische Daten

MODEL	7090.0020 / 7090.0025
Spannung	220V—240V/50Hz
Nennleistung (W)	680w
Abtauleistung (W)	150w
Klima-Typ	3 (25°C, 60%) or 4 (30°C, 55%)

1. Übersicht

Die Kühlvitrienen 7090.0020 und 7090.0025 sind für die Aufbewahrung von gefrorenem Obst oder geschnittenem Obst geeignet. Die Abmessungen: 1370 x 1080 x 960. Ihre Ausstattung ist in der Abbildung auf Seite 2 deutlich angegeben.

2. Transport

Diese Vitrienen sind in speziellen Holzkisten für den Transport mit dem Gabelstapler verpackt. Transportieren Sie das Gerät auf einer geschlossenen Palette oder einer ähnlichen Plattform und verwenden Sie einen manuellen oder elektrischen Gabelstapler mit ausreichender Tragkraft für den Transport einer solchen Vitrine. Bitte beauftragen Sie einen Kundendienst, der sich um die Handhabung kümmert.

3. Lieferung und Lagerung

Bevor Sie den Erhalt der Ware bestätigen, überprüfen Sie bitte die äußere Verpackung des Schaukastens. Wenn das Paket beschädigt ist, packen Sie es bitte vor dem Spediteur aus und vermerken dies auf dem Lieferschein. Bitte bewahren Sie den Lieferschein auf und behalten Sie sich das Recht vor, den Spediteur in Anspruch zu nehmen. Der Verkäufer oder Lieferant haftet nicht für Schäden, die durch unsachgemäße Handhabung während des Transports oder der Lagerung entstehen. Das Auspacken sollte von den dafür vorgesehenen Kundendienstleistern durchgeführt werden. Die Vitrine sollte zwischen 25°C und 45°C gelagert werden und die Luftfeuchtigkeit sollte zwischen 30% und 80% liegen. Die Vitrine sollte von direktem Sonnenlicht und elektronischen Komponenten ferngehalten werden.

4. Installation und Nutzung der Umgebung

Hinweis: Die Vitrine darf nicht in einem Raum mit explosiven Gasen aufgestellt werden und kann nicht im Freien oder bei Regen verwendet werden.

Bevor Sie die Vitrine anschließen, überprüfen Sie bitte, ob die Daten auf dem Typenschild der Vitrine mit den vorhandenen Parametern übereinstimmen (siehe Tabelle auf Seite 5). Korrekter Betrieb: Stellen Sie die Vitrine auf einen ebenen Boden und halten Sie sie von Hitze und (oder) direkter Sonneneinstrahlung, Türen, Fenstern, Ventilatoren oder Lüftungen fern. Lassen Sie vor der Vitrine einen angemessenen Platz, damit die Kunden die Waren entnehmen können. Wenn Sie zwei Vitrienen Rücken an Rücken aufstellen, achten Sie bitte darauf, dass der Auslass des Kondensators nach außen zeigt, um den Hochdruckschutz des Kompressors zu vermeiden.

Entfernen Sie das Wasser in der Drainage mindestens einmal pro Tag, besser zweimal.

Die Vitrine ist mit kleinen Rollen zum Verschieben ausgestattet. Wenn die Position der Vitrine feststeht, können Sie die kugelförmige Vorrichtung an der Unterseite der Vitrine verwenden, um die Rollen zu arretieren.

5. Elektrischer Anschluss

Hinweis: Vor der Vitrine müssen Sie einen mehrpoligen Netzschalter mit ausreichender Abschaltmöglichkeit und einem Kontaktabstand von mindestens 3 mm installieren. In jeder Notsituation muss die Position des Netzschalters bis zu einer maximalen Entfernung von 3 Metern erreicht werden können. Jede Person, die die Vitrine bedienen darf, muss wissen, wo sich der Netzschalter befindet.

Die Installation des Schaukastens muss von einem Fachmann in Übereinstimmung mit den Anweisungen des Herstellers und den örtlichen Vorschriften durchgeführt werden. Eine fehlerhafte Installation kann zu Verletzungen von Menschen, Tieren und Eigentum führen. Die Vitrine ist mit einem 1,5 Meter langen Kabel und einem entsprechenden Stecker ausgestattet. Überschreiten Sie beim Anschluss an eine Wandsteckdose nicht diese Länge.

Das Netzkabel muss ordnungsgemäß verkabelt, vor Stößen, Flüssigkeiten und Hitze geschützt und in gutem Zustand sein. Wenn das Netzkabel beschädigt ist, muss es von einem Fachmann ersetzt werden. Es wird nicht empfohlen, einen Adapterstecker zu verwenden. Verwenden Sie nur, wenn es notwendig ist, qualifizierte Modelle und stellen Sie eine ordnungsgemäße Erdung sicher.

Stellen Sie sicher, dass die Versorgungsspannung mit dem auf dem Typenschild des Schaukastens angegebenen Spannungswert übereinstimmt. Bitte beachten Sie, dass der maximale Spannungsbereich $\pm 6\%$ beträgt
Hinweis: Die Vitrine muss ordnungsgemäß geerdet sein. Der Verkäufer oder Lieferant ist nicht verantwortlich für gefährliche Folgen, die sich aus der Nichteinhaltung dieser Sicherheitsrichtlinie ergeben. Wenn die Vitrine außerhalb des Stromnetzes aufgestellt werden muss, vergewissern Sie sich, dass der Stromkreis in Übereinstimmung mit den nationalen Vorschriften ordnungsgemäß angeschlossen ist.

Der Hersteller haftet nicht für Personen- oder Sachschäden, die durch eine unsachgemäße Elektroinstallation verursacht werden.

6. Technische Daten

Das eingebaute elektrische Gerät der Vitrine besteht aus den Steuereinheiten, die sich am Boden der Vitrine befinden. Der zugehörige Schaltplan, die Teileliste und das Benutzerhandbuch befinden sich in der versiegelten Plastiktüte. Bitte bewahren Sie diese Dokumente und das Benutzerhandbuch sicher auf.

Wir erklären hiermit, dass die Vitrine mit dem Gesetz N 108 vom 25. Januar 1992 übereinstimmt, und zwar aufgrund der Umsetzung der Norm ECC 89/109 zur Regelung von Materialien, die mit Lebensmitteln in Berührung kommen.

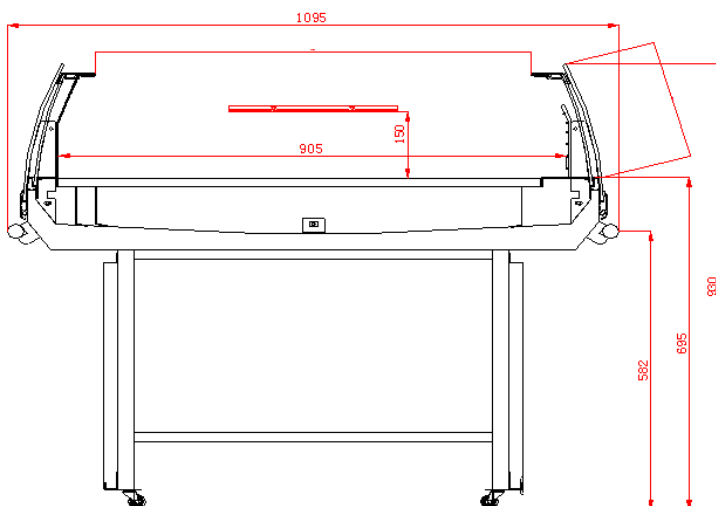
Wir erklären hiermit, dass die Vitrine für die Lagerung von gefrorenen Obstprodukten geeignet ist, was im Einklang mit dem Dekret Nr. 283 vom 19. April 1942 und seinem nachfolgenden Dekret sowie dem Dekret Nr. 85 vom «Offizielle Ankündigung» 26. März 1981, <Datum des Dekrets: Januar 29, 1981>

Der Thermostat kann nur verwendet werden, wenn der Kundendienst eine Einstellung vornehmen muss.

7. Beladen mit Waren

Schließen Sie die Vitrine an die Wandsteckdose an und schalten Sie die Vitrine mit dem Netzschalter ein. Die Vitrine wird das Kühlsystem starten. Bevor Sie die Waren in die Vitrine laden, muss sie 2 Stunden lang laufen, um die Temperatur für die Lagerung der Waren zu erreichen. Die erwartete Leistung der Vitrine wurde vor der Auslieferung ab Werk eingestellt.

Wenn Sie die Waren in die Vitrine laden, vergewissern Sie sich bitte, dass die Größe und Vielfalt der Waren ähnlich sind; Die Waren überschreiten nicht die Ladelinie und beeinträchtigen nicht den normalen Fluss der kalten Luft (siehe Abbildung unten).



8. Art der Nutzung

Diese Vitrine ist für die Aufbewahrung von gefrorenen Früchten konzipiert und hergestellt. Diese Art von Vitrine ist für die Lagerung von vorverpacktem frischem Obst gedacht. Die Funktion der Vitrine besteht hauptsächlich darin, die Temperatur der Lebensmittel zu halten und nicht, die Temperatur der Lebensmittel zu senken. Wenn Sie also die Waren in die Vitrine laden, sollten die Lebensmittel die Temperatur der Konservierung erreicht haben.

9. Bestimmungen und Einschränkungen

Es ist strengstens untersagt, pharmazeutische Produkte oder Glasflaschen in die Vitrine zu laden, da diese Gegenstände zerbrechen können und ein Sicherheitsrisiko darstellen. Sie dürfen die Abdeckung oder das Paneel, das Sie mit dem Werkzeug entfernen müssen, nicht verschieben, und Sie dürfen die Abdeckung der elektronischen Steuerplatine nicht verschieben.

Der Verkäufer oder die Lieferanten haften nicht für Schäden, die aus einer nicht normgerechten, falschen oder unangemessenen Verwendung resultieren.

10. Tägliche Wartung

Hinweis: Sie müssen die Vitrine ausschalten, bevor Sie sie warten oder reinigen.

Hinweis: Stellen Sie sicher, dass der Arbeitsbereich während der Wartungs- oder Reinigungsarbeiten ausreichend beleuchtet ist. Verwenden Sie bei Bedarf andere Lichtquellen. Beachten Sie auch, dass die heißen und abnehmbaren Teile auf dem entsprechenden Symbol gekennzeichnet sind.

Reinigung der Vitrine

1) Waschen Sie die äußere Oberfläche der Vitrine jede Woche ab. Verwenden Sie dazu ein weiches Tuch mit milder Seife oder einem in kaltem Wasser aufgelösten Reinigungsmittel, um sie vorsichtig abzuwischen. Verwenden Sie keine chemischen Reinigungsmittel, Lösungsmittel oder nur sauberes Wasser.

2) Reinigen Sie den Kondensator mindestens einmal alle 30 Tage mit einer harten, nicht-metallischen Bürste. Nicht gereinigte Kondensatoren beeinträchtigen die Kühlleistung, was zu Energieverschwendung führt.

Befolgen Sie die folgenden Schritte:

Schalten Sie die Vitrine aus, indem Sie den Netzschalter an der Wand ausschalten;

Bringen Sie die in der Vitrine gelagerten Waren in ein Kühlhaus oder eine andere Kühleinrichtung, die über eine ausreichende Kapazität verfügt, um die Frischeanforderungen zu erfüllen;

Wenn die Temperatur der Vitrine Raumtemperatur erreicht hat, verwenden Sie kein Messer oder ähnliches, um das Eis auf dem Verdampfer zu entfernen, sondern lassen Sie es natürlich schmelzen;

Reinigen Sie das Innere der Vitrine gründlich und verwenden Sie ein weiches Tuch mit milder Seife oder einem in kaltem Wasser aufgelösten Reinigungsmittel, um es vorsichtig abzuwischen.

Nachdem die Vitrine durch sorgfältige Prüfung vollständig getrocknet ist, installieren Sie sie wieder und schalten sie ein.

Bevor Sie die Ware wieder in die Vitrine stellen, muss sie 2-3 Stunden laufen.

Alle Wartungsarbeiten, die oben nicht aufgeführt sind, müssen von einem ausgewiesenen Kundendienstanbieter oder einer qualifizierten Person durchgeführt werden.

11. Notfall

1) Die Vitrine kann nicht gestartet werden oder weiter betrieben werden:

1. Vielleicht ein Stromausfall;
2. Der Strom an der Wand ist ausgeschaltet;

Wenn es sich nicht um den oben genannten Grund handelt, wenden Sie sich bitte an den Kundendienst in Ihrer Nähe. Bringen Sie die Lebensmittel in der Vitrine in den Kühlraum oder in ein anderes Kühlgerät, das die normale Temperatur der Lebensmittellagerung gewährleisten kann.

2) Die Kühlung des Schaukastens ist nicht normal:

Der Kondensator kann verschmutzt sein, so dass die Wärme nicht ausgetauscht werden kann. Wenn es sich um Staub oder Schmutz handelt, reinigen Sie den Kondensator gründlich.

12. Kundendienst

Wenn Sie technische Unterstützung benötigen, wenden Sie sich bitte sofort an den Verkäufer. Wenn Sie Zubehör oder Ersatzteile benötigen, wenden Sie sich bitte an den Kundendienst. Bitte bestehen Sie auf der Verwendung von Original-Zubehör oder -Ersatzteilen.

13. Zersetzung und Handhabung

Um die Umwelt zu schützen, halten Sie sich bei der Lagerung der Teile und Materialien der Vitrine bitte an die Bestimmungen der nationalen Abfallentsorgungsvorschriften, damit diese Materialien ordnungsgemäß behandelt und recycelt werden können. Alle Teile können nicht als Hausmüll betrachtet werden, mit Ausnahme von Metallteilen. In den meisten europäischen Ländern werden Metallteile nicht als Sondermüll betrachtet. Komponenten, aus denen das Kühlsystem besteht, können nicht wiederverwendet oder separat genutzt werden. Bitte senden Sie sie an das Zentrum für professionelles Recycling von Kühlgeräten.

14. Thermostat Kurzanleitung



SET

Zur Anzeige des Zielsollwerts, im Programmiermodus zur Auswahl eines Parameters oder zur Bestätigung einer Operation.



So starten Sie eine manuelle Abtauung.



Im Programmiermodus können Sie die Parametercodes durchblättern oder den angezeigten Wert erhöhen.



Im Programmiermodus blättern Sie durch die Parametercodes oder verringern den angezeigten Wert.

KEYS COMBINATION



Zum Aktivieren oder Deaktivieren der Tastatur

Um in den Programmiermodus zu gelangen

Rückkehr zur Raumtemperaturanzeige

LED	MODUS	BEDEUTUNG
	On	Kompressor aktiviert
	Flashing	Anti-Kurzschluss-Verzögerung aktiviert (AC-Parameter)
	On	Abtauen im Gange
	Flashing	Abtropfen im Gange
	On	Ventilatorausgang aktiviert
	Flashing	Verzögerung der Ventilatoren nach dem Abtauen
	On	Messeinheit
	Flashing	Programmiermodus
	On	Messeinheit
	Flashing	Programmiermodus

Wie Sie die Einstellungen überprüfen

1. Drücken Sie die SET-Taste und die Einstellungen werden auf dem Bildschirm angezeigt;
2. Drücken Sie die SET-Taste. Nach 5 Sekunden wird wieder die normale Anzeige eingeblendet

Wie Sie den Parameterwert ändern (in der Benutzerebene, der ersten Ebene)

Die Änderung der Parameterwerte erfolgt folgendermaßen:

1. Drücken Sie die Taste SET+ länger als 3 Sekunden, um in den Programmiermodus zu gelangen (das LED-Symbol "° C" oder "° F" blinkt).
2. Wählen Sie den betreffenden Parameter und drücken Sie die Taste "SET", um den Parameterwert anzuzeigen.
3. Verwenden Sie die Tasten oder , um den Parameterwert zu ändern.
4. Drücken Sie erneut die "SET"-Taste, um den neuen Wert zu bestätigen und zu speichern, dann wird der nächste Parametername angezeigt.

Beenden: Drücken Sie die SET + Tasten oder warten Sie 15 Sekunden lang, ohne eine Taste zu drücken.

Hinweis: Der neue Wert wird auch nach 15 Sekunden ohne Betätigung einer Taste gespeichert.

Instruction sommaire

Ce mode d'emploi fournit une brève description du produit, les utilisateurs peuvent comprendre les produits 7090.0020 et 7090.0025. Veuillez lire attentivement ce manuel et le conserver avant d'utiliser la vitrine. Le fabricant n'assume aucune responsabilité pour les dommages corporels ou matériels causés par une utilisation non conforme aux instructions. Chaque utilisateur qui utilise la vitrine doit lire attentivement ce manuel avant de l'utiliser.

Avertissement

1. Si le cordon d'alimentation est endommagé, il doit être remplacé par le fabricant ou son agent de service ou une personne de qualification similaire afin d'éviter tout danger.
2. Cet appareil peut être utilisé par des enfants à partir de 8 ans et par des personnes aux capacités physiques, sensorielles ou mentales réduites ou manquant d'expérience et de connaissances, à condition qu'ils aient reçu une surveillance ou des instructions concernant l'utilisation de l'appareil en toute sécurité et qu'ils comprennent les risques encourus.
3. Les enfants ne doivent pas jouer avec l'appareil.
4. Le nettoyage et l'entretien par l'utilisateur ne doivent pas être effectués par des enfants sans surveillance.
5. L'appareil doit être positionné de manière à ce que la prise soit accessible.



6. **AVERTISSEMENT** - Veillez à ce que les ouvertures de ventilation, dans le boîtier de l'appareil ou dans la structure intégrée, ne soient pas obstruées.

AVERTISSEMENT - N'utilisez pas de dispositifs mécaniques ou d'autres moyens pour accélérer le processus de dégivrage, autres que ceux recommandés par le fabricant.

AVERTISSEMENT - N'endommagez pas le circuit frigorifique.

AVERTISSEMENT - N'utilisez pas d'appareils électriques à l'intérieur des compartiments de stockage des aliments de l'appareil, sauf s'ils sont du type recommandé par le fabricant.

Ne stockez pas de substances explosives telles que des bombes aérosols contenant un gaz propulseur inflammable à l'intérieur de l'appareil.

Veillez-vous conformer aux réglementations locales concernant l'élimination de l'appareil pour son réfrigérant inflammable et son gaz de soufflage. Avant de mettre l'appareil au rebut, enlevez les portes pour éviter que des enfants ne se retrouvent coincés.

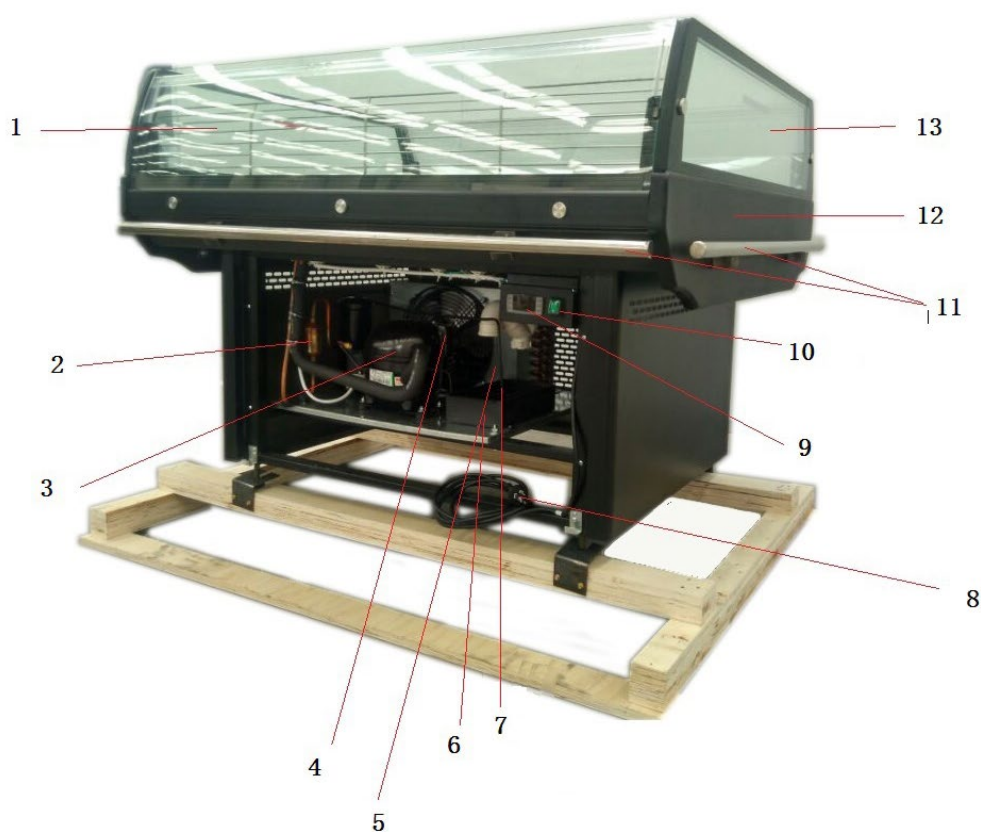


Élimination correcte de ce produit

Ce marquage indique que ce produit ne doit pas être éliminé avec les autres déchets ménagers dans toute l'UE. Pour éviter tout dommage éventuel à l'environnement ou à la santé humaine dû à l'élimination incontrôlée des déchets, recyclez-le de manière responsable afin de promouvoir la réutilisation durable des ressources matérielles. Pour retourner votre appareil usagé, veuillez utiliser les systèmes de retour et de collecte ou contacter le détaillant chez qui le produit a été acheté. Ils peuvent prendre en charge ce produit pour un recyclage respectueux de l'environnement.



Parties de l'appareil



- 1: Verre
- 2: Filtre de séchage
- 3: Compresseur
- 4: Ventilateur de condensation
- 5: Condenseur
- 6 : Boîte d'eau d'évaporation
- 7: Dispositif d'évaporation
- 8: Cordon d'alimentation
- 9: Thermostat
- 10: Interrupteur
- 11: Barre de protection
- 12: Plaque latérale en mousse
- 13: Verre creux

Informations sur le produit

Paramètres techniques

MODÈLE	7090.0020 / 7090.0025
Tension	220V—240V/50Hz
Puissance nominale (W)	680w
Puissance de dégivrage (W)	150w
Type de climat	3 (25°C, 60%) or 4 (30°C, 55%)

1. Aperçu

Les vitrines réfrigérées 7090.0020 et 7090.0025 sont destinées au stockage des fruits surgelés ou des fruits en tranches. Les dimensions : 1370 x 1080 x 960. Ses caractéristiques sont clairement indiquées dans la figure de la page 2.

2. Transport

Ces vitrines sont emballées dans des caisses en bois spéciales pour le transport par chariot élévateur. Transportez le matériel sur une palette autonome ou une plate-forme similaire et utilisez un chariot élévateur manuel ou électrique ayant une capacité de levage suffisante pour transporter une telle vitrine. Veuillez désigner un prestataire de service après-vente pour s'occuper de la manutention.

3. Livraison et stockage

Avant de confirmer la réception de la marchandise, veuillez vérifier l'emballage extérieur de la vitrine. Si le colis est endommagé, veuillez le déballer devant le transporteur et le signer sur le bon de livraison. Veuillez conserver le bon de livraison et vous réserver le droit de réclamer auprès du transporteur. Le vendeur ou le fournisseur ne peut être tenu responsable de tout dommage causé par une manipulation incorrecte pendant le transport ou le stockage. Les travaux de déballage doivent être effectués par les prestataires de service après-vente désignés. La vitrine doit être stockée entre 25°C et 45°C et l'humidité de l'air doit être comprise entre 30% et 80%. La vitrine doit rester à l'écart de la lumière directe du soleil et des composants électroniques.

4. Installation et utilisation de l'environnement

Note : La vitrine ne doit pas être installée dans une pièce où se trouvent des gaz explosifs et ne peut pas être utilisée à l'extérieur ou sous la pluie.

Avant de connecter la vitrine, veuillez vérifier que les données figurant sur la plaque signalétique de la vitrine correspondent aux paramètres existants (voir le tableau de la page 5). Fonctionnement correct : Posez la vitrine sur un sol plat, tenez-vous à l'écart de la chaleur et (ou) des rayons directs du soleil, de la porte, des fenêtres, du ventilateur ou de la ventilation. Lorsque les deux vitrines sont placées dos à dos, assurez-vous que la sortie du condensateur est orientée vers l'extérieur afin d'éviter la protection contre la haute pression du compresseur.

Nettoyez l'eau dans le bac de drainage au moins une fois par jour, deux fois mieux.

La vitrine est équipée de petites roulettes pour le déplacement. Si la position de la vitrine a été fixée, vous pouvez utiliser le dispositif sphérique au bas de l'armoire pour bloquer les roulettes.

5. Connexion électrique

Note : Devant la vitrine, vous devez installer un interrupteur multipôles avec une capacité de coupure suffisante et un espacement des contacts d'au moins 3mm. Dans toute situation d'urgence, la position de l'interrupteur doit être accessible à une distance maximale de 3 mètres. Toute personne susceptible d'utiliser la vitrine doit connaître l'emplacement de l'interrupteur électrique.

L'installation de la vitrine doit être effectuée par le professionnel conformément aux instructions du fabricant et aux réglementations locales. Toute installation incorrecte peut causer des dommages aux personnes, aux animaux et aux biens. La vitrine est équipée d'un fil de 1,5 mètre et d'une prise associée. Ne dépassez pas cette longueur lors du raccordement à une prise murale.

Le cordon d'alimentation doit être correctement câblé et éloigné des chocs, des liquides, de la chaleur, et maintenu en bon état. Si le cordon d'alimentation est endommagé, il doit être remplacé par un professionnel. Il n'est pas recommandé d'utiliser un adaptateur de prise. Ce n'est que lorsque cela est nécessaire que l'on peut utiliser des modèles qualifiés et s'assurer d'une mise à la terre correcte.

Confirmez que la tension d'alimentation correspond à la valeur de tension indiquée sur la plaque signalétique de la vitrine. Veuillez noter que la plage de tension maximale est de $\pm 6\%$.

Remarque : la vitrine doit être correctement mise à la terre. Le vendeur ou le fournisseur n'est pas responsable des conséquences dangereuses résultant du non-respect de cette directive de sécurité. Si la vitrine doit être installée loin de l'alimentation électrique, assurez-vous que le circuit est correctement raccordé, conformément aux réglementations nationales.

Le fabricant ne peut être tenu responsable de tout dommage corporel ou matériel causé par une installation électrique incorrecte.

6. Spécifications techniques

Le dispositif électrique intégré de la vitrine est constitué d'unités de commande situées à la base de l'armoire. Les instructions relatives au schéma de circuit, la liste des pièces et le manuel d'utilisation se trouvent tous dans le sac en plastique scellé. Veuillez conserver ces documents et le manuel d'utilisation en lieu sûr.

Nous déclarons par la présente que la vitrine est conforme à la loi N 108 du 25 janvier 1992 suite à la mise en œuvre de la norme ECC 89/109 de réglementation des matériaux en contact avec les aliments.

Nous déclarons par la présente que la vitrine est adaptée à la conservation des produits fruitiers congelés, ce qui est conforme au décret n° 283 du 19 avril 1942 et à son décret ultérieur, ainsi qu'au décret n° 85 du « Annonce officielle » publié le 26 mars 1981 <Date du décret : 29 janvier 1981>

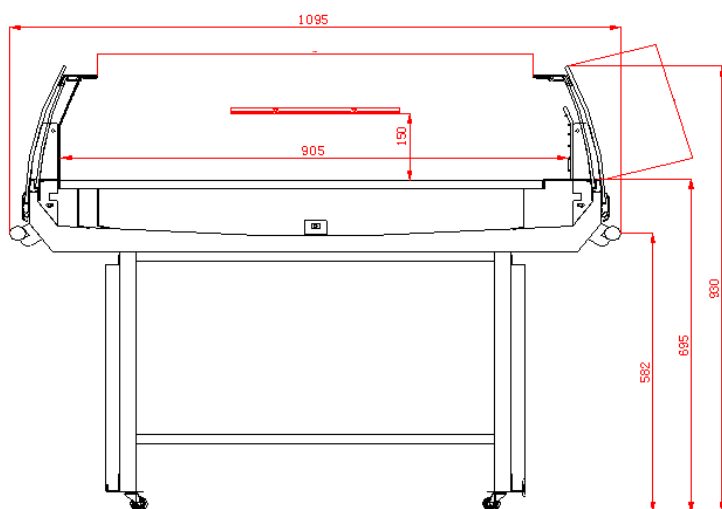
Le thermostat ne peut être utilisé que lorsque le fournisseur de service après-vente doit effectuer un réglage.

7. Chargement des marchandises

Connectez l'armoire à la prise murale et allumez la vitrine à l'aide de l'interrupteur. La vitrine démarre le système de réfrigération. Avant de charger les marchandises dans la vitrine, celle-ci doit fonctionner pendant 2 heures pour atteindre la température de stockage des marchandises. Les performances attendues de la vitrine ont été définies avant la livraison de l'usine.

Lors du chargement des marchandises dans la vitrine, veuillez vérifier que la taille et la variété des marchandises sont similaires ;

Les marchandises ne dépassent pas la ligne de chargement et n'affectent pas le flux normal d'air froid (figure ci-dessous).



8. Méthode d'utilisation

Cette vitrine est conçue et fabriquée pour le stockage de fruits congelés. Ce type de vitrine est destiné au stockage de fruits frais préemballés. La fonction de la vitrine est principalement de maintenir la température de l'aliment, et non pas d'abaisser la température de l'aliment. Ainsi, lors du chargement des marchandises dans la vitrine, les aliments doivent être à la température de conservation.

9. Provisions et restrictions

Il est strictement interdit de charger des produits pharmaceutiques, des articles en verre dans la vitrine, ces articles peuvent être cassés et causer des risques pour la sécurité. Il est interdit de déplacer le couvercle ou le panneau que vous devez retirer à l'aide de l'outil, et il est interdit de déplacer le couvercle de la carte de contrôle électronique.

Le vendeur ou les fournisseurs ne peuvent être tenus responsables de tout dommage résultant d'une utilisation non standard, incorrecte ou déraisonnable.

10. Entretien quotidien

Note : Vous devez mettre le showcase hors tension avant de procéder à l'entretien ou au nettoyage.

Remarque : Assurez-vous que la zone de travail est suffisamment éclairée pendant les opérations d'entretien ou de nettoyage. Si nécessaire, utilisez d'autres sources de lumière. Notez également que les parties chaudes et amovibles ont été marquées du logo correspondant.

Nettoyage de la vitrine

1) Nettoyez la surface extérieure de la vitrine chaque semaine, utilisez un chiffon doux avec un savon doux ou un produit de nettoyage dissous dans de l'eau froide pour l'essuyer soigneusement. Ne pas utiliser de détergent, de solvant ou seulement de l'eau propre.

2) Nettoyez le condenseur au moins une fois tous les 30 jours avec une brosse dure non métallique. Les condensateurs non nettoyés affectent les performances de refroidissement, ce qui entraîne un gaspillage d'énergie.

Suivez les étapes ci-dessous :

Mettez la vitrine hors tension en éteignant l'interrupteur d'alimentation sur le mur ;

Déposez les marchandises stockées dans la vitrine dans une chambre froide ou un autre équipement de réfrigération ayant une capacité suffisante pour répondre aux exigences de fraîcheur ;

Lorsque la température de la vitrine atteint la température ambiante, n'utilisez pas de couteau ou d'outils similaires pour enlever la glace sur l'évaporateur, laissez-la fondre naturellement ;

Nettoyez soigneusement l'intérieur de la vitrine et utilisez un chiffon doux avec un savon doux ou un produit de nettoyage dissous dans de l'eau froide pour l'essuyer soigneusement.

Après avoir vérifié que la vitrine est complètement sèche, réinstallez-la et allumez-la.

Avant de remettre la marchandise dans la vitrine, celle-ci doit fonctionner pendant 2 à 3 heures.

Toutes les opérations d'entretien qui ne sont pas couvertes ci-dessus doivent être effectuées par un prestataire de service après-vente désigné ou par une personne qualifiée.

11. Urgence

1) La vitrine ne peut pas être démarrée ou continuer à fonctionner :

1. Il peut s'agir d'une coupure de courant ;
2. L'alimentation du mur est coupée ;

Si ce n'est pas la raison ci-dessus, veuillez contacter le fournisseur de service après-vente à proximité, retirez les aliments dans la vitrine vers la chambre froide ou un autre équipement de réfrigération qui peut garantir la température normale de stockage des aliments.

2) La réfrigération de la vitrine n'est pas normale :

Le condenseur peut avoir des saletés qui font qu'il n'y a pas d'échange de chaleur. S'il s'agit de poussière ou de saleté, nettoyez soigneusement le condenseur.

12. Service après-vente

Si vous avez besoin d'une assistance technique, veuillez contacter immédiatement le vendeur. Si vous avez besoin d'accessoires ou de pièces de rechange, veuillez contacter le service après-vente. Veuillez insister sur l'utilisation d'accessoires ou de pièces de rechange d'origine.

13. Décomposition et manipulation

Afin de protéger l'environnement, veuillez suivre les dispositions de la réglementation nationale sur l'élimination des déchets pour stocker les pièces et les matériaux de la vitrine, afin que ces matériaux puissent être correctement manipulés et recyclés. Toutes les pièces ne peuvent être considérées comme des déchets solides urbains, à l'exception des pièces métalliques. Dans la plupart des pays européens, les pièces métalliques ne sont pas considérées comme des déchets spéciaux. Les composants qui constituent le système de réfrigération ne peuvent pas être réutilisés ou utilisés séparément, veuillez les envoyer au centre de recyclage professionnel des équipements de réfrigération.

14. Instructions court pour le thermostat



SET

Pour afficher le point de consigne cible, en mode programmation, il sélectionne un paramètre ou confirme une opération.



Pour lancer un dégivrage manuel.



En mode programmation, parcourir les codes des paramètres ou augmenter la valeur affichée.



En mode programmation, il parcourt les codes des paramètres ou diminue la valeur affichée.

COMBINAISON DE TOUCHES



Pour verrouiller ou déverrouiller le clavier

Pour entrer en mode programmation

Pour revenir à l'affichage de la température ambiante

LED	MODE	SIGNIFICATION
	Allumé	Compresseur activé
	Clignotant	Délai anti-court cycle activé (paramètre AC)
	Allumé	Dégivrage en cours
	Clignotant	Égouttage en cours
	Allumé	Sortie des ventilateurs activée
	Clignotant	Retard des ventilateurs après le dégivrage
	Allumé	Unité de mesure
	Clignotant	Mode de programmation
	Allumé	Unité de mesure
	Clignotant	Mode de programmation

Comment vérifier les paramètres

1. Appuyez sur le bouton SET et les paramètres s'affichent à l'écran ;
2. Appuyez sur le bouton SET et l'écran revient à l'affichage normal après 5 secondes.

Comment modifier la valeur du paramètre (dans la couche utilisateur, la première couche)

L'opération de modification des valeurs des paramètres est la suivante :

1. Appuyer sur la touche SET+ pendant plus de 3 secondes pour entrer dans l'état de programmation (l'icône LED « ° C » ou « ° F » clignote).
2. Sélectionner le paramètre concerné et appuyer sur la touche « SET » pour afficher la valeur du paramètre.
3. Utiliser les touches ▲ ou ▼ pour modifier la valeur du paramètre.
4. Appuyez à nouveau sur la touche « SET » pour confirmer et enregistrer la nouvelle valeur, puis le nom du paramètre suivant s'affiche.

Pour quitter : Appuyez sur les touches SET + ou attendez 15 secondes sans appuyer sur aucune touche.

Remarque : La nouvelle valeur sera également enregistrée après 15 secondes sans appuyer sur aucune touche.