



**Refrigerators and Freezers  
7063 Series**

User Manual  
Gebruikershandleiding  
Gebrauchsanweisung  
Le mode d'emploi



# CONTENT

## ENGLISH

Safety Tips.....	4
Intended Use.....	5
Location and Installation.....	5
Power Requirements .....	6
Starting Up .....	6
Operation.....	7
Defrosting Procedure.....	7
Change the door direction .....	8
Cleaning, Care & Maintenance.....	11
Trouble shooting .....	12
Disposal .....	12
Warranty.....	13

## NEDERLANDS

Veiligheidstips .....	14
Gebruiksdoel.....	15
Locatie en installatie.....	15
Stroomvereisten.....	16
Opstarten.....	16
Gebruik.....	17
Ontdooiprocedure.....	17
Verander de richting van de deur.....	18
Reiniging, verzorging en onderhoud.....	21
Problemen oplossen.....	22
Verwijdering.....	22
Garantie.....	23

## DEUTSCH

Sicherheitstipps.....	24
Verwendungszweck.....	25
Standort und Montage .....	25
Strombedarf.....	26
Inbetriebnahme .....	26
Betrieb.....	27
Abtauvorgang.....	27
Ändern Sie die Türrichtung .....	28
Reinigung, Pflege und Wartung.....	31
Fehlerbehebung .....	32
Entsorgung.....	32
Technische Angaben.....	33
Garantie.....	33

## **FRANÇAIS**

Conseils de sécurité.....	34
Utilisation prévue.....	35
Emplacement et installation .....	35
Alimentation électrique.....	36
Démarrage .....	36
Fonctionnement.....	37
Procédure de dégivrage.....	37
Changer le sens de la porte.....	38
Nettoyage, entretien et maintenance .....	41
Dépannage.....	42
Élimination des déchets.....	42
Garantie.....	43

## Safety Tips

- The appliance is intended for commercial use or similar use (etc. to be used by a layman in shops).
- DO NOT use the appliance outside.
- DO NOT attempt to service the item yourself.
- DO NOT use damaged appliances. If you are in any doubt, consult service agent.
- WARNING: Do not use electrical appliances inside the food/ice storage compartments unless they are of the type recommended by the manufacturer.
- WARNING: Keep clear of obstruction all ventilation openings in the appliance enclosure or in the structure for building-in.
- WARNING: Do not use mechanical devices or other means to accelerate the defrosting process, other than those recommended by the manufacturer.
- WARNING: Do not damage the refrigerating circuit.
- DO NOT stand or support yourself on the base, drawers or the door.
- DO NOT allow oil or fat to come into contact with the plastic components or door seal. Clean immediately if contact occurs.
- DO NOT place combustible, explosive or volatile articles, corrosive acids or alkalis or liquids in the appliance.
- DO NOT use this appliance to store medical supplies.
- DO NOT use jet/pressure washers to clean the appliance.
- DO NOT allow children to play with the packaging, and destroy plastic bags safely.
- Bottles that contain a high percentage of alcohol must be sealed and placed vertically in the refrigerator.
- Always carry, store and handle the appliance in a vertical orientation and move by holding the base of the appliance.
- Always switch off and disconnect the power supply to the unit before cleaning.
- If the supply cord is damaged, it must be replaced by the manufacturer, its service agent or similarly qualified persons in order to avoid a hazard.
- This appliance is not intended for use by persons (including children) with reduced physical, sensory or mental capabilities, or lack of experience and knowledge, unless they have been given supervision or instruction concerning use of the appliance by a person responsible for their safety.
- Children should be supervised to ensure that they do not play with the appliance. This appliance can be used by children aged from 8 years and above and persons with reduced physical, sensory or mental capabilities or lack of experience and knowledge if they have been given supervision or instruction concerning use of the appliance in a safe way and understand the hazards involved. Children shall not play with the appliance. Cleaning and user maintenance shall not be made by children without supervision.
- For indoor used only. Not suitable for installation in an area where a water jet could be used. Must not be cleaned by a water jet.
- To guarantee safe operation, ensure that the appliance is set up and connected as described in the instruction manual.
- Any repairs and work on the appliance should only be carried out by the customer service department.
- Maximum loading of each shelf is 25 kg.
- The key to the fridge/freezer should be kept out of the reach of children and users. Do not store explosive substances such as aerosol cans with a flammable propellant in this appliance.
- Please according to local regulations regarding disposal of the appliance for its flammable insulation blowing gas. Before you scrap the appliance, please take off the doors to prevent children trapped.

## Intended Use

Only use this appliance for cooling and storage of food and beverage for commercial purposes.

## Location and Installation

The cabinet should be placed in a room that is dry and sufficiently ventilated. To operate efficiently it should not be positioned in direct sunlight or near warm appliances. Please note that optimal cabinet performance is obtained at an ambient temperature between +16°C and +35°C.

Refrigerator: By placing the cabinet in an environment with high air humidity, it may be necessary to acquire extra equipment for evaporation of the drip water in the pan near the compressor.

The cabinet can be installed freestanding against a wall.

### Important

The cabinet must have sufficient ventilation and free air circulation beneath, above and behind the cabinet. The legs under the cabinet will help ensure sufficient air space.

- Remove the appliance from the packaging. Make sure that all protective plastic film and coatings are thoroughly removed from all surfaces. To prevent injury or damage to the unit, we recommend that the appliance should be unpacked and set up by two people.
- The appliance should be placed on a solid level floor to reduce noise and vibration. Level the appliance by adjusting the screw feet.
- Check that the power supply and voltage used comply with the details on the rating plate. The plug must be accessible after installation.
- Correctly connect and disconnect the plug. When inserting ensure the plug is fully engaged. When unplugging do so by holding the body of the plug. Never pull the supply cord directly.
- If the appliance is to be shut down for long period, switch it off and disconnect the plug from socket outlet. Clean the appliance and leave the door open to prevent odour.
- Important! For your personal safety, this appliance must be properly grounded (earthed). This appliance is equipped with a cord having a grounding wire with a grounding plug. The plug must be inserted into an outlet that is properly grounded and installed. Consult a qualified electrician or service center if you do not completely understand the grounding instructions. If doubt exists whether the appliance is properly grounded, have a qualified electrician check the circuit to make sure the outlet is properly grounded.
- If the cable does not reach the nearest socket, either rearrange your store layout or ask a qualified electrician to fix a new socket.
- If power is cut off, wait for at least 3 minutes before restarting the appliance to avoid damaging the compressor.

Note: If the unit has not been stored or moved in an upright position, let it stand upright for approximately 12 hours before operation.

Note: Before using the appliance for the first time, clean the shelves and interior with water.



## Power Requirements

The cabinet is intended for connection to an alternating current. The connection voltage (220-240 V) and frequency (50 Hz) are shown on the nameplate in the cabinet. The power connection is made using a three-pin plug to a wall socket. Any requirement for earthing from the local power supply must be met. The cabinet plug and wall socket should then give a correct earthing.

If you are in doubt, contact your local supplier or authorized electrician.

### Warning - This appliance must be earthed

The flexible cord fitted to this appliance has three cores for use with a 3-pin 13Amp plug. If a B.B. 1363 (13 Amp) fused plug is used, it should be fitted with a 13 Amp fuse or a moulded right-angled Schuko plug. Note the plate with a hole in it between and above the two pins - this connects to French and Belgian sockets, which have an earth pin that sticks out. Running in a slot coming from that plate is a continuation strip from the plate. Other European countries use a socket with a scrolled metal connector emerging from the side which mates with that strip. This ensures that the Schuko can be used in most mainland European countries.

### Important

The wires in this mains lead are colored in accordance with the following code:

Green-and-yellow: earth

Blue: neutral

Brown: live

The colors of the wires in the mains lead of this appliance might not correspond with the colored markings identifying the terminals in your plug. Proceed as follows:

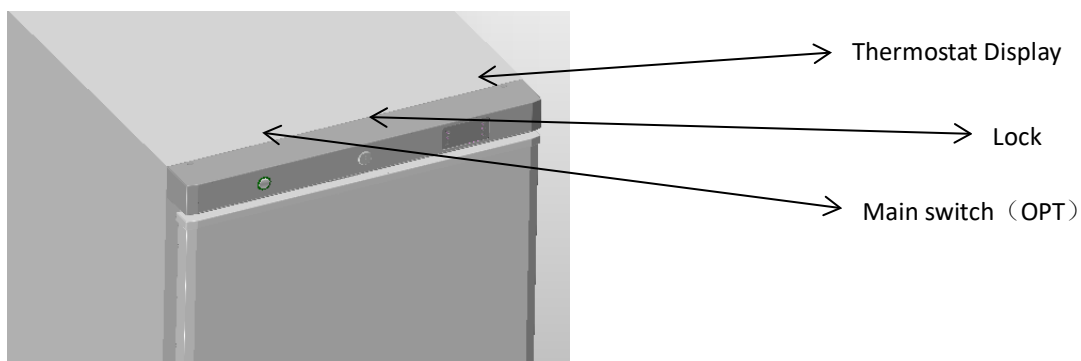
The wire which is colored green-and-yellow must be connected to the terminal in the plug which is marked "E", marked by the earth symbol or colored green-and-yellow. The wire, which is colored blue, must be connected to the terminal, which is marked with the letter "N", or colored black. The wire which is colored brown must be connected to the terminal which is marked with the letter "L" or colored red.



## Starting Up

Plug in the cabinet. The display shows the actual cabinet temperature.

Servicing. Make sure the appliance is switched off at the mains before service is performed on electrical parts.



## Operation

### Storing food

To get the best results from your appliance, follow these instructions:

- Only store foodstuffs in the appliance when it has reached the correct operating temperature.
- Always close the door, when not in use and appliance is switched on.
- Do not place uncovered hot food or liquid inside the appliance.
- Wrap or cover food where possible.
- Do not obstruct the fans inside the appliance. (Refrigerator)
- Avoid opening the door for prolonged periods of time.
- The maximum load for a shelf is 25 kg.
- The food must be put into container before placed into cabinet or on the shelf. Food must not be placed into food cabinet directly.

### Turn on

- Close the door of the appliance.

### Temperature setting and control

Please check attached interleaf for thermostat parameter adjustment operating instruction.



## Defrosting Procedure

Refrigerator:

Automatic Defrosting using automatic water evaporation.

Automatic defrost : The appliance will automatically run defrost cycles

Note: The cycle starts from the time the appliance is initially powered up.



To manually defrost the appliance:

- Press and hold the DEFROST button for 5 seconds.
- The defrost cycle will start immediately and the Defrost LED illuminates.

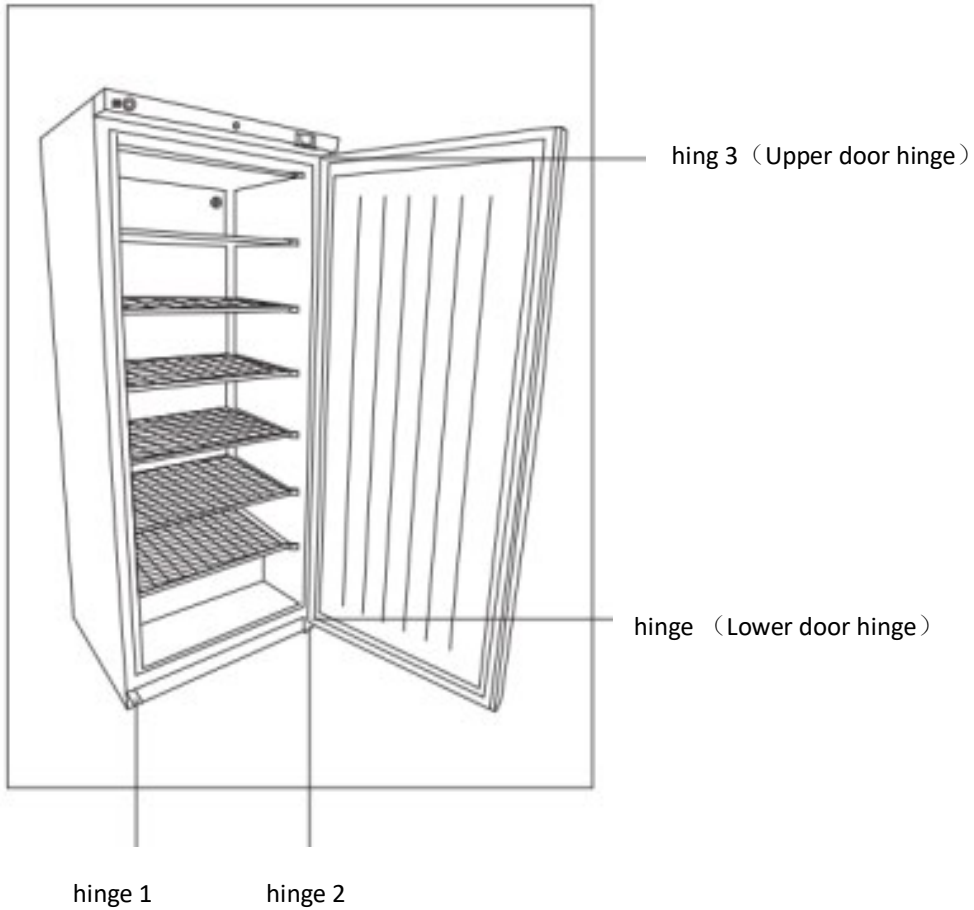
Note: Starting a manual defrost also resets the automatic defrost timer. The next automatic defrost will start according to the set parameter after the manual defrost has finished.

Never use a sharp or pointed object that may damage the refrigerator.

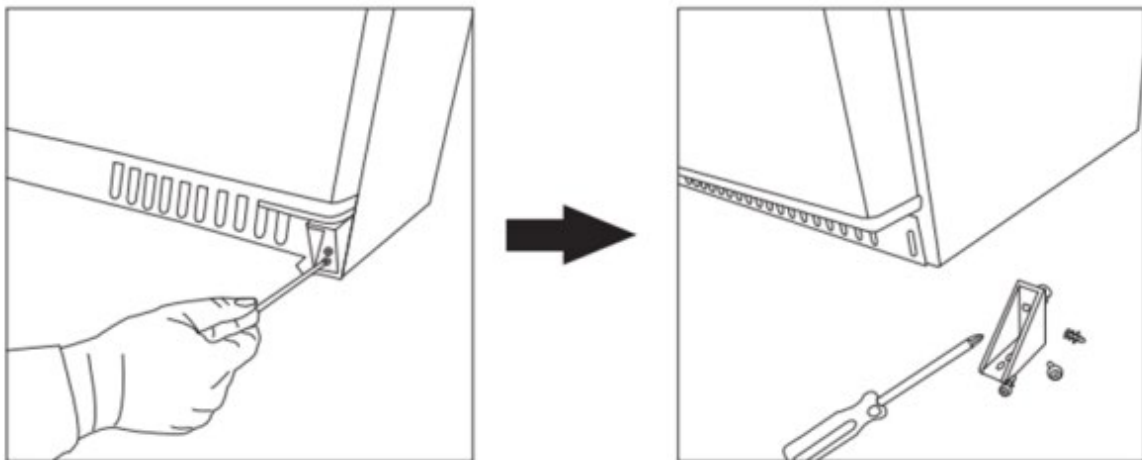
## Change the door direction

The door can be changed from right hand-hinged to left hand-hinged, or vice versa.  
To do so, proceed as follows:

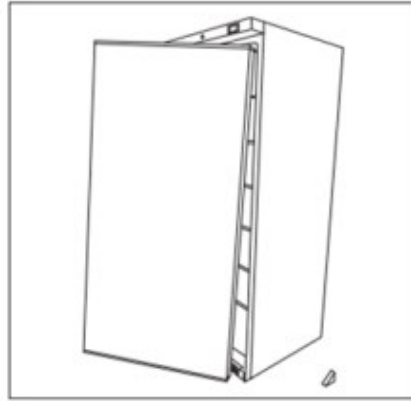
1. Switch off power and disconnect from the main socket



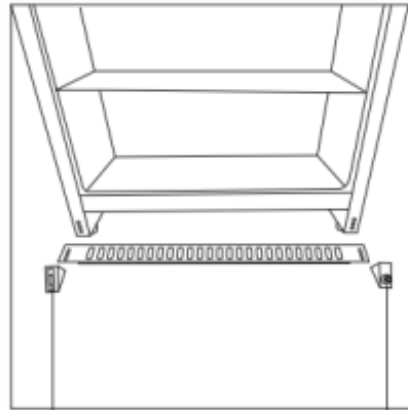
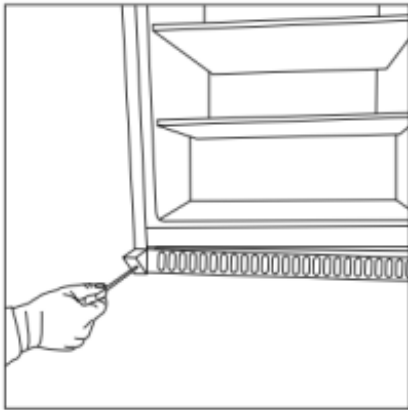
2. Remove hinge 2







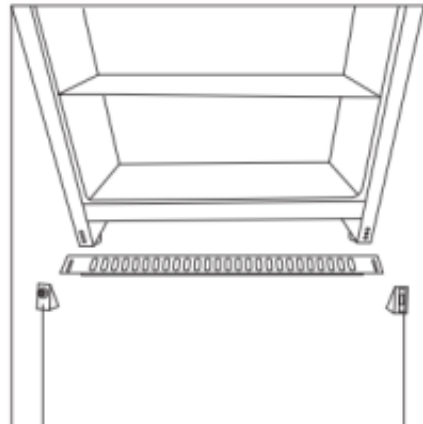
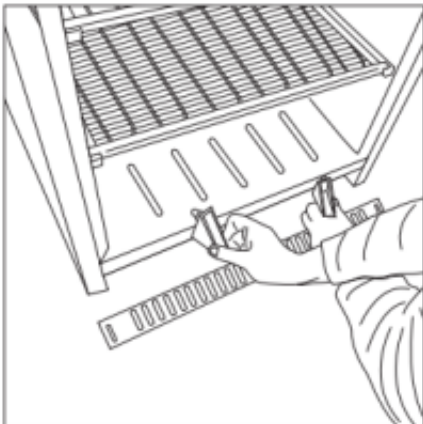
4.Remove hinge1



hinge 1

hinge 2

5.Change the two hinge positions



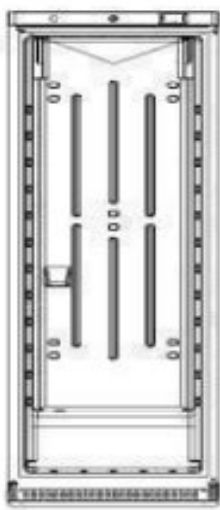
hinge 2

hinge 1

6.Fix hinge 1



7. Turn the door upside down and connect to the upper hinge



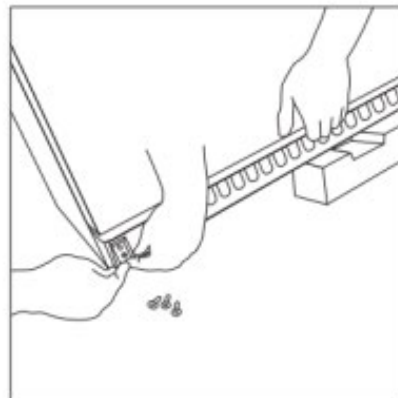
hinge 3



Move the Hinge 3 hinge axle from the right side to left side.



8. Fix hinge 2



## Cleaning, Care & Maintenance

### Before cleaning, switch off the cabinet and disconnect from the mains.

The cabinet should be kept clean using a mild soap solution. Do not use abrasive cleansers. The plastic parts cannot withstand boiling water (max. temperature +85 °C).

When regular cleaning is performed, be sure to wipe clean the rubber door gasket to ensure any sticky substances are removed that would otherwise damage the gasket.

The condenser fan air outlet above the compressor must be free of leaves, paper etc. to ensure normal operation of the cabinet.

The condenser on the back of the cabinet must be regularly cleaned as well. This is best done with a vacuum cleaner and a brush.



### Routine maintenance

Switch off and disconnect from the power supply before cleaning.

- Clean the enclosure and interior of the appliance as often as possible.
- Clean the unit with moist cloth. Never allow the switch, control panel, cable or plug to get wet.
- Do not use abrasive cleaning agents. These can leave harmful residues. Use only mild soapy water.
- Clean the door seal with water only.
- Ensure that no cleaning water penetrates into the electrical components.
- Must not be cleaned by a water jet.
- Always wipe dry after cleaning with soft cloth.
- Take care when cleaning the rear of the appliance.
- An agent or qualified technician must carry out repairs if required.
- If the appliance is to be left inactive for long periods, unplug the appliance after having turned the switch to OFF position, empty the refrigerating compartment and clean thoroughly. Please leave the door open to avoid the development of odor and mildew.
- Take care when cleaning the rear of the appliance.
- An agent or qualified technician must carry out repairs if required.
- If the appliance is to be left inactive for long periods, unplug the appliance after having turned the switch to OFF position, empty the refrigerating compartment and clean thoroughly. Please leave the door open to avoid the development of odor and mildew.

### Special maintenance

The instructions given in the following paragraph are for SKILLED PERSON.

Periodic Operations:

Periodically clean the condenser using suitable tools (vacuum cleaner or soft brushes).

- Check that the electrical connections are not loose.
- Check that the thermostat and the sensor are in proper working order.
- Periodically cleaning the condenser can extend the life of the appliance.
- Recommend that an agent or qualified technician clean the condenser.
- The key to the electrical cabinet should be kept out of the reach of children .
- Only use the key to open the lock.

## Trouble shooting

If your Refrigerator appliance develop a fault, please check the following table

Fault	Probable Cause	Action
The appliance is not working	The unit is not switched on	Check that the unit is plugged in correctly and switched on
	Plug and/or lead are damaged	Call our agent or qualified technician
	Power supply	Check power supply
	Internal wiring fault	Call our agent or qualified technician
The appliance turns on, but the temperature is too high/low	Too much ice on the evaporator	Defrost the appliance
	Condenser blocked with dust	Clean the condenser thoroughly
	The door is not shut properly	Check that the door is shut and seals are not damaged
	Appliance is located near a heat source, or air flow to the condenser is blocked	Move the refrigerator to a more suitable location
	Ambient temperature is too high	Increase ventilation or move appliance to a cooler position
	Unsuitable foodstuffs are being stored in the appliance	Remove any excessive hot foodstuffs or blockages to the fan
The appliance is leaking water (Refrigerator)	Appliance is overloaded	Reduce the amount of food stored in the appliance
	The appliance is not properly levelled	Adjust the screw feet to level the appliance
	The discharge outlet is blocked	Clear the discharge outlet
	The water container is damaged	Call our agent or qualified technician

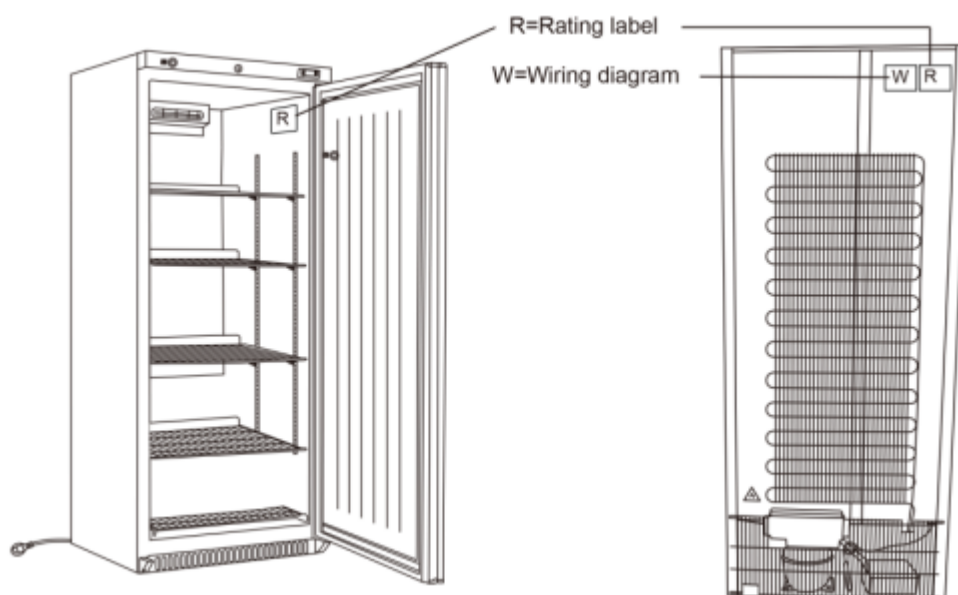
## Disposal

If the cabinet is no longer of use and you wish to dispose of it, please do so in an environmentally correct way. There may be special requirements or conditions. You can obtain information on the disposal of refrigeration appliances from:

- Your supplier- Government authorities (The local council, Ministry of the Environment, etc.)

## Technical data

Please refer to the information indicated on the product. You will find the information on the rating label on the back of the unit as well as inside the cooling compartment. The circuit diagram is displayed on the back of the unit as well as inside the cooling compartment.



### Environmental Protection



Discarded electric appliances are recyclable and should not be discarded in the domestic waste! Please actively support us in conserving resources and protecting the environment by returning this appliance to the collection centres (if available).



CAUTION: RISK OF FIRE AND EXPLOSION WITH FLAMMABLE REFRIGERANT R600a/R290.



Test room climate class	Dry bulb temperature °C	Relative humidity %	Dew point °C	Water vapour mass in dry air g/kh
4	30	55	20,0	14,8

## Warranty

### A statutory warranty applies for this product.

Damages caused by wrong treatment or operation, by false placement or storage, improper connection or installation, as well as force or other external influences are not covered by this warranty. We recommend careful reading of the operating instructions as it contains important information.

#### Note:

- In case this product does not function correctly, please firstly check if there are other reasons, e.g. for electrical appliances interruption of the power supply, or generally incorrect handling are the cause.
- Please note that, where possible, the following documents or rather information should be provided together with your faulty product:
  - Purchase receipt
  - Model description/Type/Brand
  - Describe the fault and problem as detailed as possible

In the case of a claim for guarantee or defects, please contact the seller.

## Veiligheidstips

- Het apparaat is bedoeld voor commercieel gebruik of soortgelijk gebruik (enz. voor gebruik door een leek in winkels).
- Gebruik het apparaat NIET buiten.
- Probeer het apparaat NIET zelf te repareren.
- Gebruik GEEN beschadigde apparaten. Raadpleeg een serviceagent als je twijfelt.
- WAARSCHUWING: Gebruik geen elektrische apparaten in de voedsel-/ijsopbergruimten, tenzij ze van het type zijn dat door de fabrikant wordt aanbevolen.
- WAARSCHUWING: Zorg dat alle ventilatieopeningen in de behuizing van het apparaat of in de inbouwconstructie vrij zijn van obstructies.
- WAARSCHUWING: Gebruik geen mechanische apparaten of andere middelen om het ontdooiproces te versnellen, anders dan aanbevolen door de fabrikant.
- WAARSCHUWING: Beschadig het koelcircuit niet.
- Ga NIET op de bodem, laden of deur staan of steun er niet op.
- Laat GEEN olie of vet in contact komen met de plastic onderdelen of de deurafdichting. Onmiddellijk schoonmaken bij contact.
- Plaats GEEN brandbare, explosieve of vluchtige voorwerpen, bijtende zuren of logen of vloeistoffen in het apparaat.
- Gebruik dit apparaat NIET om medische behoeften in op te bergen.
- Gebruik GEEN straal-/drukreinigers om het apparaat schoon te maken.
- Laat kinderen NIET met de verpakking spelen en vernietig plastic zakken op een veilige manier.
- Flessen met een hoog alcoholpercentage moeten worden afgesloten en verticaal in de koelkast worden geplaatst.
- Draag, bewaar en hanteer het apparaat altijd verticaal en verplaats het door de onderkant van het apparaat vast te houden.
- Schakel de stroomtoevoer naar het apparaat altijd uit en koppel deze los voordat je het apparaat schoonmaakt.
- Als het netsnoer beschadigd is, moet het worden vervangen door de fabrikant, diens serviceagent of vergelijkbaar gekwalificeerde personen om gevaar te voorkomen.
- Dit apparaat is niet bedoeld voor gebruik door personen (inclusief kinderen) met verminderde fysieke, zintuiglijke of mentale mogelijkheden, of gebrek aan ervaring en kennis, tenzij zij onder toezicht staan of instructies hebben gekregen over het gebruik van het apparaat van een persoon die verantwoordelijk is voor hun veiligheid.
- Kinderen moeten onder toezicht staan om ervoor te zorgen dat ze niet met het apparaat spelen. Dit apparaat kan worden gebruikt door kinderen vanaf 8 jaar en personen met beperkte fysieke, zintuiglijke of mentale capaciteiten of gebrek aan ervaring en kennis, mits zij onder toezicht staan of instructies hebben gekregen over het veilige gebruik van het apparaat en de gevaren begrijpen. Kinderen mogen niet met het apparaat spelen. Reiniging en gebruikersonderhoud mogen niet zonder toezicht door kinderen worden uitgevoerd.
- Alleen voor gebruik binnenshuis. Niet geschikt voor installatie in een ruimte waar een waterstraal kan worden gebruikt. Mag niet worden gereinigd met een waterstraal.
- Om een veilige werking te garanderen, moet het apparaat worden ingesteld en aangesloten zoals beschreven in de gebruiksaanwijzing.
- Reparaties en werkzaamheden aan het apparaat mogen alleen worden uitgevoerd door de klantenservice.
- De maximale belasting van elk schap is 25 kg.
- De sleutel van de koelkast/vriezer moet buiten het bereik van kinderen en gebruikers worden gehouden. Bewaar geen explosieve stoffen zoals spuitbussen met een ontvlambaar drijfgas in dit apparaat.
- 26. Houd je aan de plaatselijke voorschriften met betrekking tot het weggooien van het apparaat voor het brandbare isolatieblaasgas. Verwijder de deuren voordat je het apparaat wegdoet, om te voorkomen dat kinderen bekneld raken.

## Gebruiksdoel

Gebruik dit apparaat alleen voor het koelen en bewaren van voedsel en dranken voor commerciële doeleinden.

## Locatie en installatie

De kast moet in een droge en voldoende geventileerde ruimte worden geplaatst. Voor een efficiënte werking mag de kast niet in direct zonlicht of in de buurt van warme apparaten worden geplaatst. Houd er rekening mee dat de kast optimaal presteert bij een omgevingstemperatuur tussen +16°C en +35°C.

Koelkast: Als de kast in een omgeving met een hoge luchtvochtigheid wordt geplaatst, kan het nodig zijn om extra apparatuur aan te schaffen voor het verdampen van het druppelwater in de pan bij de compressor.

De kast kan vrijstaand tegen een muur worden geplaatst.

### Belangrijk

De kast moet voldoende ventilatie en vrije luchtcirculatie hebben onder, boven en achter de kast. De poten onder de kast zorgen voor voldoende luchtruimte.

- Haal het apparaat uit de verpakking. Zorg ervoor dat alle beschermende plasticfolie en coatings grondig van alle oppervlakken worden verwijderd. Om letsel of schade aan het apparaat te voorkomen, raden we aan om het apparaat door twee personen uit te pakken en op te stellen.
- Plaats het apparaat op een stevige, vlakke vloer om geluid en trillingen te verminderen. Stel het apparaat waterpas door de schroefvoetjes te verstellen.
- Controleer of de voeding en de gebruikte spanning overeenkomen met de gegevens op het typeplaatje. De stekker moet toegankelijk zijn na installatie.
- Sluit de stekker op de juiste manier aan en uit. Let er bij het insteken op dat de stekker volledig in het stopcontact zit. Als je de stekker uit het stopcontact haalt, houd dan het huis van de stekker vast. Trek nooit direct aan het netsnoer.
- Als het apparaat voor langere tijd uitgeschakeld moet worden, schakel het dan uit en trek de stekker uit het stopcontact. Maak het apparaat schoon en laat de deur open om geurtjes te voorkomen.
- **Belangrijk!** Voor je persoonlijke veiligheid moet dit apparaat goed geaard zijn. Dit apparaat is voorzien van een snoer met een aardedraad en een geaarde stekker. De stekker moet in een correct geaard stopcontact worden gestoken. Raadpleeg een gekwalificeerd elektricien of servicecentrum als je de aardingsinstructies niet helemaal begrijpt. Als je twijfelt of het apparaat goed is geaard, laat dan een gekwalificeerde elektricien het circuit controleren om er zeker van te zijn dat het stopcontact goed is geaard.
- Als de kabel het dichtstbijzijnde stopcontact niet bereikt, richt de winkel dan anders in of vraag een gekwalificeerde elektricien om een nieuw stopcontact.
- Als de stroom uitvalt, wacht dan minstens 3 minuten voordat je het apparaat opnieuw opstart om schade aan de compressor te voorkomen.

Opmerking: Als het apparaat niet rechtop is opgeborgen of verplaatst, laat het dan ongeveer 12 uur rechtop staan voordat u het in gebruik neemt.

Opmerking: Maak de planken en de binnenkant schoon met water voordat je het apparaat voor het eerst gebruikt.



## Stroomvereisten

De kast is bedoeld voor aansluiting op wisselstroom. De aansluitspanning (220-240 V) en frequentie (50 Hz) staan vermeld op het typeplaatje in de kast. De stroomaansluiting gebeurt met een driepolige stekker in een stopcontact. Er moet worden voldaan aan alle vereisten voor aarding van het plaatselijke elektriciteitsnet. De stekker van de kast en het stopcontact moeten dan een correcte aarding geven.

Als je twijfelt, neem dan contact op met je plaatselijke leverancier of erkende elektricien.

### Waarschuwing - Dit apparaat moet worden geaard

Het flexibele snoer van dit apparaat heeft drie kernen voor gebruik met een 3-pins 13Amp stekker. Als een B.B. 1363 (13 Ampère) gezeekerde stekker wordt gebruikt, moet deze worden voorzien van een 13 Ampère zekering of een gegoten haakse Schuko stekker. Let op de plaat met een gat tussen en boven de twee pinnen - deze is verbonden met Franse en Belgische stopcontacten, die een aardingspin hebben die uitsteekt. In een gleuf die uit die plaat komt, loopt een vervolgstrip van de plaat. Andere Europese landen gebruiken een stopcontact met een metalen connector die aan de zijkant uitsteekt en aansluit op die strip. Dit zorgt ervoor dat de Schuko in de meeste landen op het Europese vasteland kan worden gebruikt.

### Belangrijk

De draden in dit netsnoer zijn gekleurd volgens de volgende code:

Groen-geel: aarde

Blauw: neutraal

Bruin: spanning

De kleuren van de draden in het netsnoer van dit apparaat komen mogelijk niet overeen met de gekleurde markeringen van de aansluitingen in je stekker. Ga als volgt te werk:

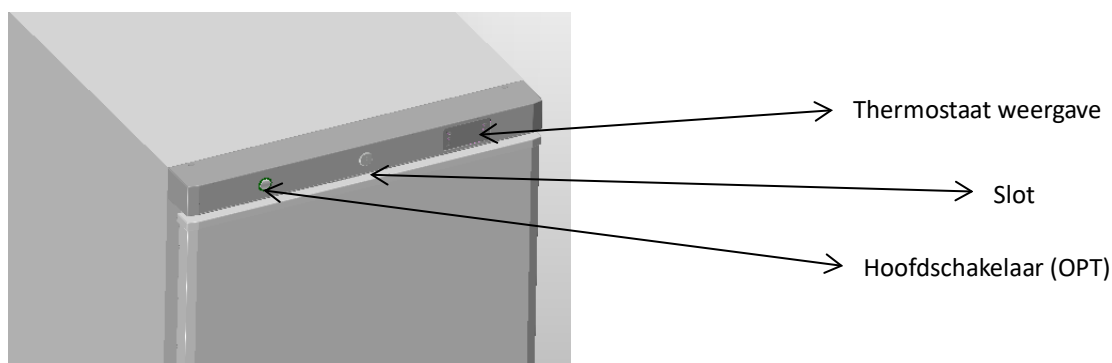
De groen-gele draad moet worden aangesloten op de klem in de stekker die gemerkt is met "E", gemarkeerd met het aarde-symbool of groen-geel gekleurd is. De blauw gekleurde draad moet worden aangesloten op de klem met de letter "N" of zwart. De bruin gekleurde draad moet worden aangesloten op de klem met de letter "L" of rood.



## Opstarten

Steek de stekker in het stopcontact. Het display toont de actuele kasttemperatuur

Onderhoud. Zorg ervoor dat het apparaat is uitgeschakeld op het lichtnet voordat er onderhoud wordt uitgevoerd aan elektrische onderdelen.





## Gebruik

### Voedsel opbergen

Volg deze instructies om de beste resultaten met je apparaat te krijgen:

- Bewaar levensmiddelen alleen in het apparaat als het de juiste bedrijfstemperatuur heeft bereikt.
- Sluit de deur altijd als het apparaat niet wordt gebruikt en is ingeschakeld.
- Plaats geen onbedekt heet voedsel of vloeistof in het apparaat.
- Verpak of bedek voedsel waar mogelijk.
- Blokkeer de ventilatoren in het apparaat niet. (Koelkast)
- Open de deur niet te lang.
- De maximale belasting van een plank is 25 kg.
- Het voedsel moet in een bak worden gedaan voordat het in de kast of op het schap wordt geplaatst. Het voedsel mag niet rechtstreeks in de voedselkast worden geplaatst.

### Aanzetten

- Sluit de deur van het apparaat.

### Temperatuur instellen en regelen

Raadpleeg de bijgevoegde interleaf voor de bedieningsinstructies voor het aanpassen van de thermostaatparameters.



## Ontdooiprocedure

### Koelkast:

Automatisch ontdooien met automatische waterverdamping.

Automatisch ontdooien: Het apparaat zal automatisch ontdooicycli uitvoeren.



Opmerking: De cyclus start vanaf het moment dat het apparaat voor het eerst wordt ingeschakeld.

Om het apparaat handmatig te ontdooien:

- Houd de knop DEFROST 5 seconden ingedrukt.
- De ontdooicyclus start onmiddellijk en de LED Defrost gaat branden.

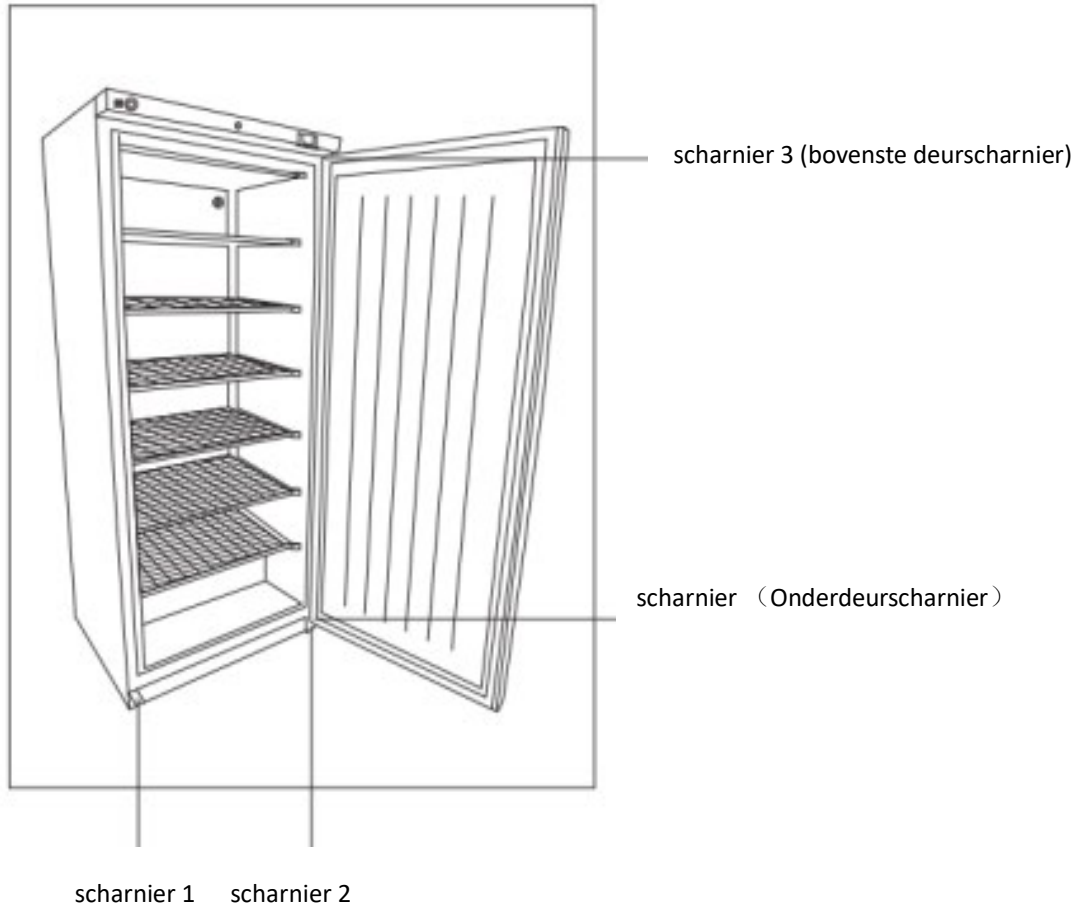
Opmerking: Als je een handmatige ontdooiing start, wordt ook de automatische ontdooitimer gereset.

De volgende automatische ontdooiing start volgens de ingestelde parameter nadat de handmatige ontdooiing is voltooid. Gebruik nooit een scherp of puntig voorwerp dat de koelkast kan beschadigen.

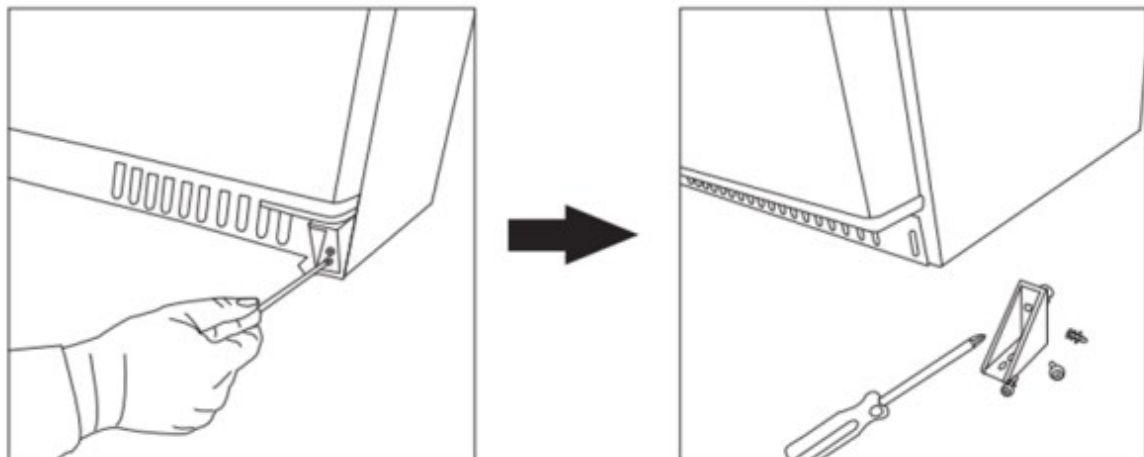
## Verander de richting van de deur

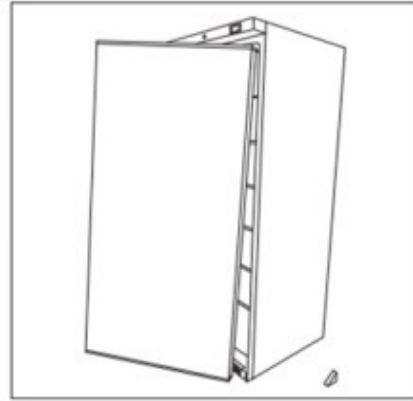
De scharnier van de deur kan worden gewijzigd van rechts naar links, of omgekeerd.  
Ga hiervoor als volgt te werk:

1. Schakel de stroom uit en haal de stekker uit het stopcontact.

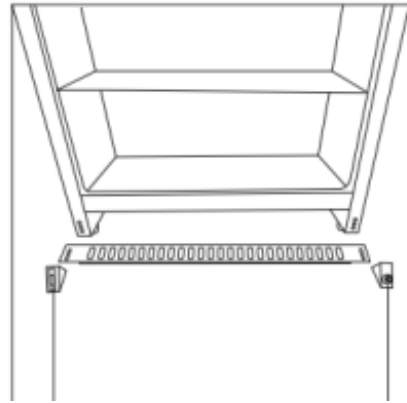
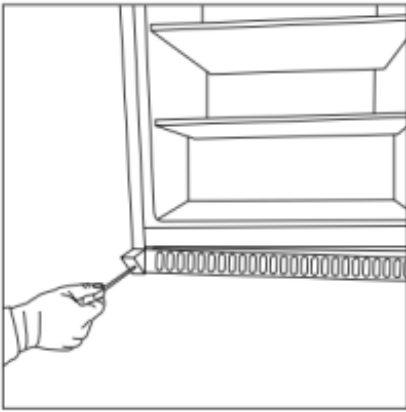


2. Verwijder scharnier 2





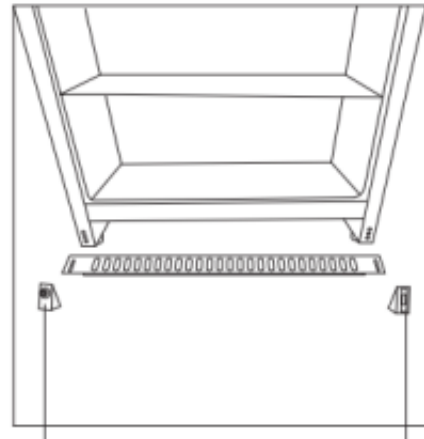
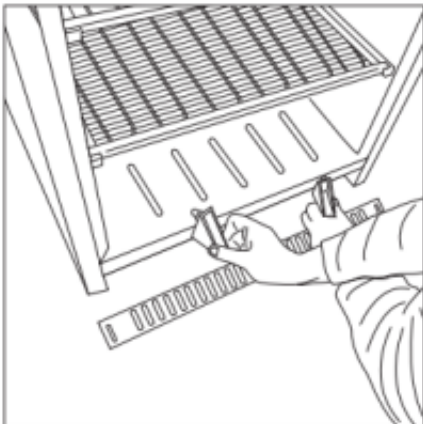
4. Verwijder scharnier 1



scharnier 1

scharnier 2

5. Verander de twee scharnierposities



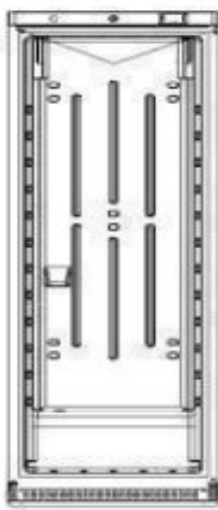
scharnier 2

scharnier 1

6. Bevestig scharnier 1



7. Kantel de deur ondersteboven en sluit aan op het bovenste scharnier



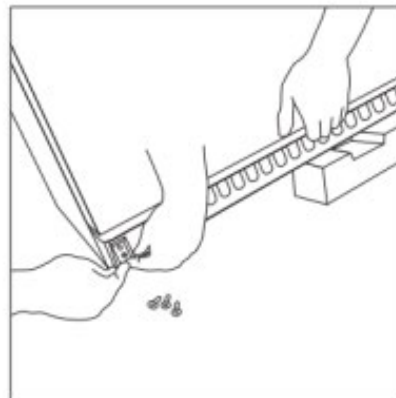
scharnier 3



Verplaats de scharnieras van scharnier 3 van de rechterkant naar de linkerkant.



8. Bevestig scharnier 2



## Reiniging, verzorging en onderhoud

### Schakel de kast uit en trek de stekker uit het stopcontact voordat je gaat schoonmaken.

Houd de kast schoon met een milde zeepoplossing. Gebruik geen schurende schoonmaakmiddelen.

De kunststof onderdelen kunnen niet tegen kokend water (max. temperatuur +85 °C).

Als je de kast regelmatig schoonmaakt, veeg dan ook de rubberen deurpakking schoon om er zeker van te zijn dat alle kleverige substanties verwijderd zijn die de pakking zouden kunnen beschadigen.

De luchtuitleat van de condensorventilator boven de compressor moet vrij zijn van bladeren, papier enz. om een normale werking van de kast te garanderen.

De condensor aan de achterkant van de kast moet ook regelmatig worden schoongemaakt. Dit kun je het beste doen met een stofzuiger en een borstel.



### Routinematig onderhoud

Schakel het apparaat uit en trek de stekker uit het stopcontact voordat je het schoonmaakt.

- Maak de behuizing en de binnenkant van het apparaat zo vaak mogelijk schoon.
- Reinig het apparaat met een vochtige doek. Zorg dat de schakelaar, het bedieningspaneel, de kabel of de stekker nooit nat worden.
- Gebruik geen schurende schoonmaakmiddelen. Deze kunnen schadelijke resten achterlaten. Gebruik alleen een mild sopje.
- Reinig de deurafdichting alleen met water.
- Zorg ervoor dat er geen reinigingswater in de elektrische onderdelen dringt.
- Mag niet worden gereinigd met een waterstraal.
- Na het schoonmaken altijd droogwrijven met een zachte doek.
- Wees voorzichtig bij het schoonmaken van de achterkant van het apparaat.
- Indien nodig moet een agent of gekwalificeerde technicus reparaties uitvoeren.
- Als het apparaat langere tijd niet gebruikt wordt, trek dan de stekker uit het stopcontact nadat de schakelaar op UIT is gezet, maak het koelgedeelte leeg en maak het grondig schoon. Laat de deur open om de ontwikkeling van geur en schimmel te voorkomen.
- Wees voorzichtig bij het schoonmaken van de achterkant van het apparaat.
- Indien nodig moet een agent of gekwalificeerde technicus reparaties uitvoeren.
- Als het apparaat langere tijd niet gebruikt wordt, trek dan de stekker uit het stopcontact nadat de schakelaar op OFF is gezet, maak het koelgedeelte leeg en maak het grondig schoon. Laat de deur open om de ontwikkeling van geur en schimmel te voorkomen.

### Speciaal onderhoud

De instructies in de volgende paragraaf zijn voor BEKWAAM PERSONEEL.

Periodieke handelingen:

- Reinig de condensor regelmatig met geschikt gereedschap (stofzuiger of zachte borstels).
- Controleer of de elektrische aansluitingen niet los zitten.
- Controleer of de thermostaat en de sensor goed werken.
- Het regelmatig reinigen van de condensor kan de levensduur van het apparaat verlengen.
- Adviseer een agent of gekwalificeerde technicus om de condensor schoon te maken.
- De sleutel van de elektrische kast moet buiten het bereik van kinderen worden gehouden.
- Gebruik de sleutel alleen om het slot te openen.

## Problemen oplossen

Als je koelkast een storing vertoont, controleer dan de volgende tabel

Storing	Vermoedelijke oorzaak	Actie
Het apparaat werkt niet	De unit is niet ingeschakeld	Controleer of het apparaat goed is aangesloten en is ingeschakeld.
	Stekker en/of kabel zijn beschadigd	Bel onze agent of gekwalificeerde technicus
	Stroomvoorziening	Stroomtoevoer controleren
	Interne bedradingsfout	Bel onze agent of gekwalificeerde technicus
Het apparaat gaat aan, maar de temperatuur is te hoog/laag	Te veel ijs op de verdamper	Het apparaat ontdooien
	Condensor verstopt met stof	Reinig de condensor grondig
	De deur is niet goed gesloten	Controleer of de deur dicht is en de afdichtingen niet beschadigd zijn.
	Het apparaat staat in de buurt van een warmtebron of de luchtstroom naar de condensor is geblokkeerd	Verplaats de koelkast naar een geschiktere locatie
	Omgevingstemperatuur is te hoog	Verhoog de ventilatie of verplaats het apparaat naar een koelere plek
	Er worden ongeschikte voedingsmiddelen in het apparaat bewaard	Verwijder overmatig hete etenswaren of verstoppingen van de ventilator
	Apparaat is overbelast	Verminder de hoeveelheid voedsel die in het apparaat is opgeslagen
Het apparaat lekt water (Koelkast)	Het apparaat staat niet goed waterpas	Stel de schroefvoetjes bij om het apparaat waterpas te zetten
	De uitlaat is geblokkeerd	Maak de uitlaat vrij
	Het waterreservoir is beschadigd	Bel onze agent of gekwalificeerde technicus

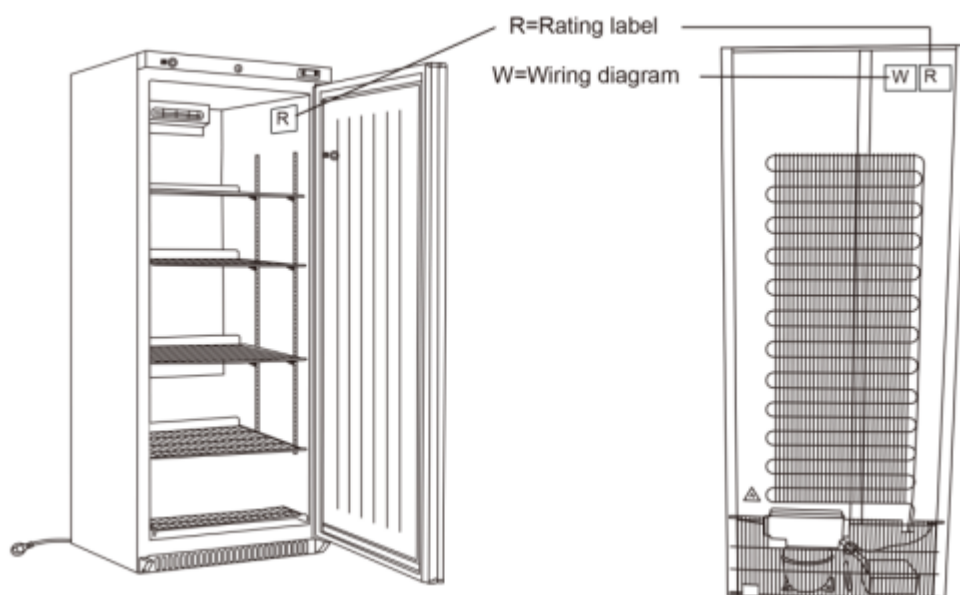
## Verwijdering

Als de kast niet meer bruikbaar is en je wilt hem weggooien, doe dit dan op een milieuvriendelijke manier. Er kunnen speciale eisen of voorwaarden gelden. Informatie over het weggooien van koelapparaten kun je krijgen bij:

- Je leverancier - Overheidsinstanties (Gemeente, Ministerie van Milieu, etc.)

## Technische gegevens

Raadpleeg de informatie op het product. Je vindt de informatie op het typeplaatje op de achterkant van de unit en in het koelcompartiment. Het schakelschema staat op de achterkant van het apparaat en in het koelcompartiment.



Bescherming van het milieu



Afgedankte elektrische apparaten zijn recyclebaar en mogen niet bij het huisvuil! Help ons actief hulpbronnen te sparen en het milieu te beschermen door dit apparaat in te leveren bij de inzamelcentra (indien beschikbaar).



LET OP: BRAND- EN EXPLOSIEGEVAAR MET BRANDBAAR REFRIGERANT R600a/R290.



Klimaatklasse testruimte	Droge bol temperatuur °C	Relatieve vochtigheid %	Dauwpunt °C	Waterdampmassa in droge lucht g/kh
4	30	55	20,0	14,8

## Garantie

**Voor dit product geldt een wettelijke garantie.**

Schade veroorzaakt door verkeerde behandeling of bediening, door verkeerde plaatsing of opslag, onjuiste aansluiting of installatie, evenals geweld of andere invloeden van buitenaf vallen niet onder deze garantie. We raden aan de gebruiksaanwijzing zorgvuldig te lezen, omdat deze belangrijke informatie bevat.

Opmerking:

- Als dit product niet correct functioneert, controleer dan eerst of er andere redenen zijn, bijvoorbeeld bij elektrische apparaten een onderbreking van de stroomtoevoer of in het algemeen onjuist gebruik.
- Houd er rekening mee dat, waar mogelijk, de volgende documenten of eerder informatie samen met je defecte product moeten worden geleverd:
  - Aankoopbon
  - Modelbeschrijving/Type/Merk
  - Beschrijf de storing en het probleem zo gedetailleerd mogelijk

Neem in het geval van een garantieclaim of defect contact op met de verkoper.

## Sicherheitstipps

- Das Gerät ist für die gewerbliche Nutzung oder eine ähnliche Nutzung bestimmt (z.B. für die Nutzung durch Laien in Geschäften).
- Verwenden Sie das Gerät NICHT im Freien.
- Versuchen Sie NICHT, das Gerät selbst zu warten.
- Verwenden Sie KEINE beschädigten Geräte. Wenden Sie sich im Zweifelsfall an den Kundendienst.
- WARNUNG: Benutzen Sie keine elektrischen Geräte in den Lebensmittel-/Eisfächern, es sei denn, sie sind von dem vom Hersteller empfohlenen Typ.
- WARNUNG: Achten Sie darauf, dass alle Lüftungsöffnungen im Gehäuse des Geräts oder in der Konstruktion für den Einbau nicht blockiert werden.
- WARNUNG: Verwenden Sie keine mechanischen Vorrichtungen oder andere Mittel zur Beschleunigung des Abtauvorgangs, die nicht vom Hersteller empfohlen werden.
- WARNUNG: Beschädigen Sie nicht den Kühlkreislauf.
- Stellen oder stützen Sie sich NICHT auf das Untergestell, die Schubladen oder die Tür.
- Achten Sie darauf, dass kein Öl oder Fett mit den Kunststoffteilen oder der Türdichtung in Berührung kommt. Reinigen Sie das Gerät sofort, wenn es damit in Berührung kommt.
- Stellen Sie KEINE brennbaren, explosiven oder volatilen Gegenstände, ätzende Säuren oder Laugen oder Flüssigkeiten in das Gerät.
- Verwenden Sie dieses Gerät NICHT zur Aufbewahrung von medizinischem Material.
- Verwenden Sie zur Reinigung des Geräts KEINE Hochdruckreiniger.
- Lassen Sie Kinder NICHT mit der Verpackung spielen, und vernichten Sie Plastiktaschen sicher.
- Flaschen, die einen hohen Alkoholanteil enthalten, müssen versiegelt und senkrecht in den Kühlschrank gestellt werden.
- Tragen, lagern und bedienen Sie das Gerät immer in vertikaler Ausrichtung und bewegen Sie es, indem Sie den Sockel des Geräts festhalten.
- Schalten Sie das Gerät vor der Reinigung immer aus und trennen Sie es von der Stromzufuhr.
- Wenn das Netzkabel beschädigt ist, muss es vom Hersteller, seinem Kundendienst oder einer ähnlich qualifizierten Person ersetzt werden, um eine Gefährdung zu vermeiden.
- Dieses Gerät ist nicht dafür bestimmt, durch Personen (einschließlich Kinder) mit eingeschränkten physischen, sensorischen oder geistigen Fähigkeiten oder mangelnder Erfahrung und Kenntnis benutzt zu werden, es sei denn, sie werden durch eine für ihre Sicherheit zuständige Person beaufsichtigt oder erhalten von ihr Anweisungen zur Benutzung des Geräts.
- Kinder sollten beaufsichtigt werden, um sicherzustellen, dass sie nicht mit dem Gerät spielen. Dieses Gerät kann von Kindern ab 8 Jahren und Personen mit eingeschränkten körperlichen, sensorischen oder geistigen Fähigkeiten oder einem Mangel an Erfahrung und Kenntnissen verwendet werden, wenn sie beaufsichtigt oder in die sichere Verwendung des Geräts eingewiesen wurden und die damit verbundenen Gefahren verstehen. Kinder dürfen nicht mit dem Gerät spielen. Die Reinigung und Wartung des Geräts darf nicht von Kindern ohne Aufsicht durchgeführt werden.
- Nur für den Innenbereich geeignet. Nicht geeignet für die Installation in einem Bereich, in dem ein Hochdruckreiniger verwendet werden könnte. Darf nicht mit einem Wasserstrahl gereinigt werden.
- Um einen sicheren Betrieb zu gewährleisten, stellen Sie sicher, dass das Gerät wie in der Bedienungsanleitung beschrieben aufgestellt und angeschlossen ist.
- Jegliche Reparaturen und Arbeiten am Gerät sollten nur vom Kundendienst durchgeführt werden.
- Die maximale Beladung jedes Regals beträgt 25 kg.
- Der Schlüssel zum Kühl-/Gefrierschrank sollte außerhalb der Reichweite von Kindern und Benutzern aufbewahrt werden. Bewahren Sie keine explosiven Stoffe wie Spraydosen mit brennbarem Treibmittel in diesem Gerät auf.
- Bitte beachten Sie bei der Entsorgung des Geräts die örtlichen Vorschriften für brennbares Isolierblasgas. Bevor Sie das Gerät verschrotten, nehmen Sie bitte die Türen ab, um zu verhindern, dass sich Kinder darin verfangen.



## Verwendungszweck

Only use this appliance for cooling and storage of food and beverage for commercial purposes.

## Standort und Montage

Der Schrank sollte in einer trockenen und ausreichend belüfteten Umgebung aufgestellt werden. Um effizient zu arbeiten, sollte er nicht in direktem Sonnenlicht oder in der Nähe von Wärmequellen aufgestellt werden. Bitte beachten Sie, dass die optimale Leistung des Schrankes bei einer Umgebungstemperatur zwischen +16°C und +35°C erreicht wird.

Kühlschrank: Wenn Sie den Schrank in einer Umgebung mit hoher Luftfeuchtigkeit aufstellen, kann es notwendig sein, zusätzliche Geräte für die Verdunstung des Tropfwassers in der Wanne neben dem Kompressor anzuschaffen.

Der Schrank kann freistehend an einer Wand aufgestellt werden.

### Wichtig

Der Schrank muss über eine ausreichende Belüftung und freie Luftzirkulation unter, über und hinter dem Schrank verfügen. Die Beine unter dem Schrank sorgen für ausreichend Luftzufuhr.

- Nehmen Sie das Gerät aus der Verpackung. Stellen Sie sicher, dass alle Schutzfolien und Beschichtungen gründlich von allen Oberflächen entfernt werden. Um Verletzungen oder Schäden am Gerät zu vermeiden, empfehlen wir, dass das Gerät von zwei Personen ausgepackt und aufgestellt wird.
- Stellen Sie das Gerät auf einen festen, ebenen Boden, um Geräusche und Vibrationen zu reduzieren. Nivellieren Sie das Gerät durch Verstellen der Schraubfüße.
- Vergewissern Sie sich, dass die verwendete Stromversorgung und Spannung mit den Angaben auf dem Typenschild übereinstimmen. Der Stecker muss nach der Installation zugänglich sein.
- Stecken Sie den Stecker richtig ein und ziehen Sie ihn ab. Achten Sie beim Einstecken darauf, dass der Stecker vollständig eingerastet ist. Halten Sie den Stecker beim Ausstecken am Gehäuse fest. Ziehen Sie niemals direkt am Netzkabel.
- Wenn das Gerät für längere Zeit außer Betrieb genommen werden soll, schalten Sie es aus und ziehen Sie den Stecker aus der Steckdose. Reinigen Sie das Gerät und lassen Sie die Tür offen, um Geruchsbildung zu vermeiden.
- Wichtig! Zu Ihrer persönlichen Sicherheit muss dieses Gerät ordnungsgemäß geerdet sein. Dieses Gerät ist mit einem Kabel mit einem Erdungsdraht und einem Erdungsstecker ausgestattet. Der Stecker muss in eine ordnungsgemäß geerdete und installierte Steckdose gesteckt werden. Wenden Sie sich an einen qualifizierten Elektriker oder einen Kundendienst, wenn Sie die Anweisungen zur Erdung nicht vollständig verstanden haben. Wenn Sie Zweifel haben, ob das Gerät richtig geerdet ist, lassen Sie einen qualifizierten Elektriker den Stromkreis überprüfen, um sicherzustellen, dass die Steckdose richtig geerdet ist.
- Wenn das Kabel nicht bis zur nächstgelegenen Steckdose reicht, ordnen Sie entweder Ihr Ladengeschäft neu an oder bitten Sie einen qualifizierten Elektriker, eine neue Steckdose anzubringen.
- Wenn die Stromversorgung unterbrochen wird, warten Sie mindestens 3 Minuten, bevor Sie das Gerät wieder einschalten, um eine Beschädigung des Kompressors zu vermeiden.

Hinweis: Wenn das Gerät nicht aufrecht gelagert oder bewegt wurde, lassen Sie es vor der Inbetriebnahme etwa 12 Stunden lang aufrecht stehen.

Hinweis: Reinigen Sie die Einlegeböden und das Innere des Geräts mit Wasser, bevor Sie es zum ersten Mal benutzen.



## Strombedarf

Der Schrank ist für den Anschluss an Wechselstrom vorgesehen. Die Anschlussspannung (220-240 V) und die Frequenz (50 Hz) sind auf dem Typenschild im Schrank angegeben. Der Stromanschluss erfolgt über einen dreipoligen Stecker an eine Wandsteckdose. Alle Erdungsanforderungen des örtlichen Stromnetzes müssen erfüllt werden. Der Schrankstecker und die Wandsteckdose sollten dann eine korrekte Erdung ergeben. Wenden Sie sich im Zweifelsfall an Ihren örtlichen Lieferanten oder einen qualifizierten Elektriker.

### Warnung - Dieses Gerät muss geerdet sein

Das an diesem Gerät angebrachte flexible Kabel hat drei Adern für die Verwendung eines 3-poligen 13-Ampere-Steckers. Wenn ein B.B. 1363 (13 Ampere) abgesicherter Stecker verwendet wird, sollte dieser mit einer 13-Ampere-Sicherung oder einem rechtwinkligen Schuko-Stecker ausgestattet sein. Beachten Sie die Platte mit dem Loch zwischen und oberhalb der beiden Stifte - dies ist die Verbindung zu französischen und belgischen Steckdosen, die einen herausstehenden Erdungsstift haben. In einem Schlitz, der von dieser Platte ausgeht, läuft ein Fortsetzungstreifen von der Platte. Andere europäische Länder verwenden eine Steckdose mit einem seitlich herausragenden Metallstecker, der mit diesem Streifen verbunden ist. Damit ist sichergestellt, dass die Schuko-Steckdose in den meisten Ländern des europäischen Festlands verwendet werden kann.

### Wichtig

Die Drähte in diesem Netzkabel sind gemäß dem folgenden Code gefärbt:

Grün-Gelb: Erdung

Blau: Nullleiter

Braun: Spannung

Die Farben der Drähte im Netzkabel dieses Geräts stimmen möglicherweise nicht mit den farbigen Markierungen der Anschlüsse in Ihrem Stecker überein. Gehen Sie wie folgt vor:

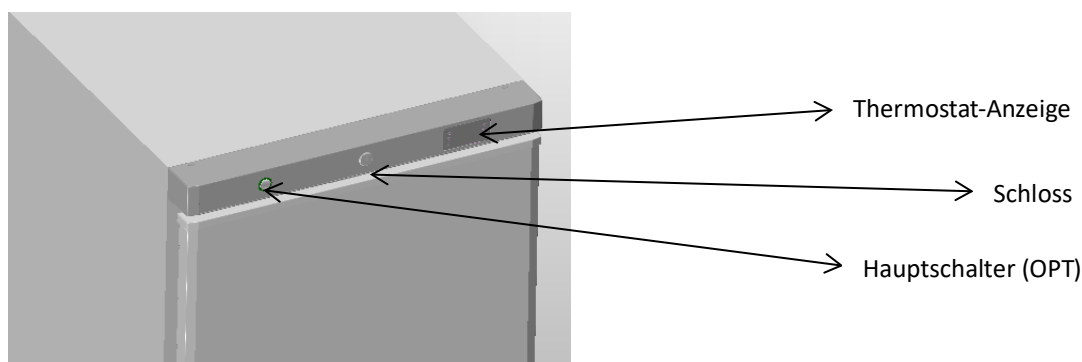
Der grün-gelb gefärbte Draht muss an die Klemme im Stecker angeschlossen werden, die mit dem Buchstaben „E“, dem Erdungssymbol oder der Farbe grün-gelb gekennzeichnet ist. Der blau gefärbte Draht muss an die Klemme angeschlossen werden, die mit dem Buchstaben „N“ gekennzeichnet ist, oder schwarz gefärbt ist. Der braun gefärbte Draht muss an die Klemme angeschlossen werden, die mit dem Buchstaben „L“ gekennzeichnet ist oder rot gefärbt ist.



## Inbetriebnahme

Schließen Sie den Schrank an. Das Display zeigt die aktuelle Temperatur im Schrank an.

Wartungsarbeiten. Vergewissern Sie sich, dass das Gerät am Netzschalter ausgeschaltet ist, bevor Sie elektrische Teile warten.



## Betrieb

### Lagerung von Lebensmitteln

Um die besten Ergebnisse mit Ihrem Gerät zu erzielen, befolgen Sie diese Anweisungen:

- Lagern Sie Lebensmittel nur im Gerät, wenn es die richtige Betriebstemperatur erreicht hat.
- Schließen Sie immer die Tür, wenn Sie das Gerät nicht benutzen und es eingeschaltet ist.
- Stellen Sie keine unverschlossenen heißen Lebensmittel oder Flüssigkeiten in das Gerät.
- Wickeln Sie die Lebensmittel nach Möglichkeit ein oder decken Sie sie ab.
- Blockieren Sie nicht die Ventilatoren im Inneren des Geräts. (Kühlschrank)
- Vermeiden Sie es, die Tür über einen längeren Zeitraum zu öffnen.
- Die maximale Zuladung für ein Regal beträgt 25 kg.
- Die Lebensmittel müssen in einen Behälter gegeben werden, bevor sie in den Schrank oder auf das Regal gestellt werden. Die Lebensmittel dürfen nicht direkt in den Schrank gestellt werden.

### Einschalten

- Schließen Sie die Tür des Geräts.

### Temperatureinstellung und -kontrolle

Die Bedienungsanleitung für die Einstellung der Thermostatparameter finden Sie auf der beigefügten Zwischenseite.



## Abtauvorgang

Kühlschrank:

Automatisches Abtauen mit automatischer Wasserverdunstung.

Automatisches Abtauen : Das Gerät führt automatisch Abtauzyklen durch



Hinweis: Der Zyklus beginnt ab dem Zeitpunkt, an dem das Gerät zum ersten Mal eingeschaltet wird.

Um das Gerät manuell abzutauen:

- Drücken und halten Sie die Taste DEFROST 5 Sekunden lang.
- Der Abtauzyklus beginnt sofort und die Defrost-LED leuchtet.

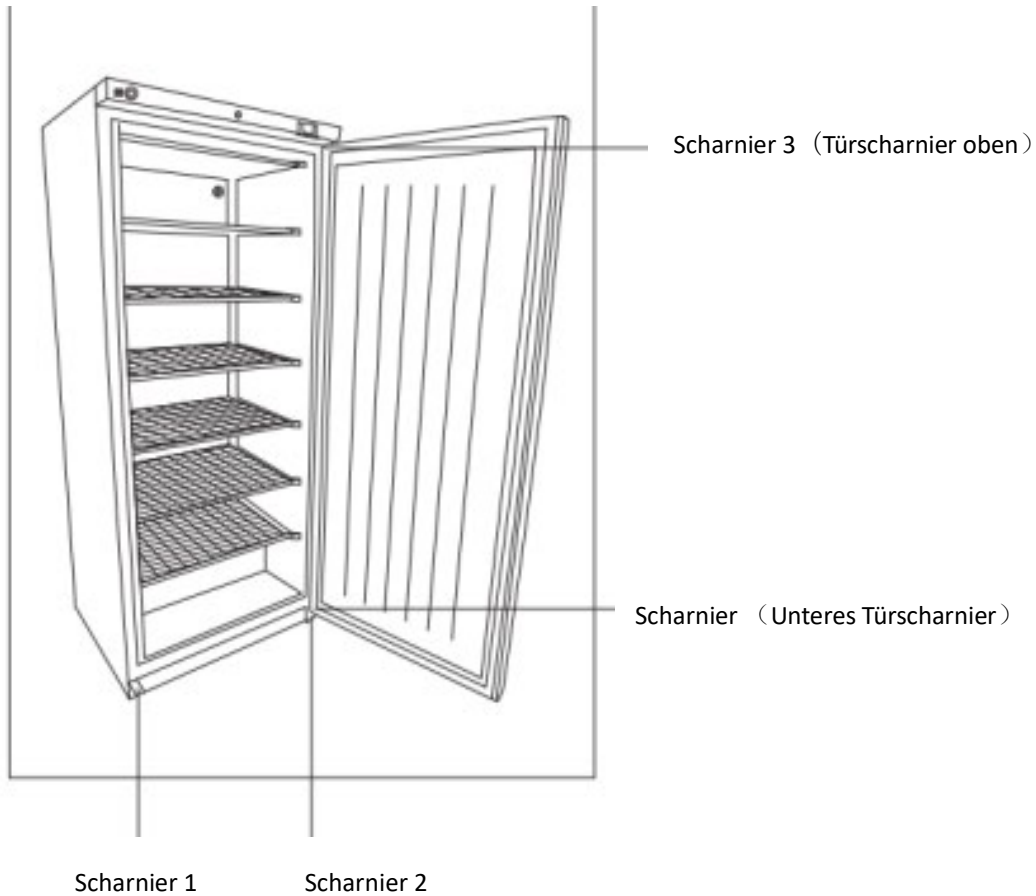
Hinweis: Wenn Sie eine manuelle Abtauerung starten, wird auch der Timer für die automatische Abtauerung zurückgesetzt. Die nächste automatische Abtauerung beginnt entsprechend dem eingestellten Parameter, nachdem die manuelle Abtauerung beendet ist.

Verwenden Sie niemals einen scharfen oder spitzen Gegenstand, der den Kühlschrank beschädigen könnte.

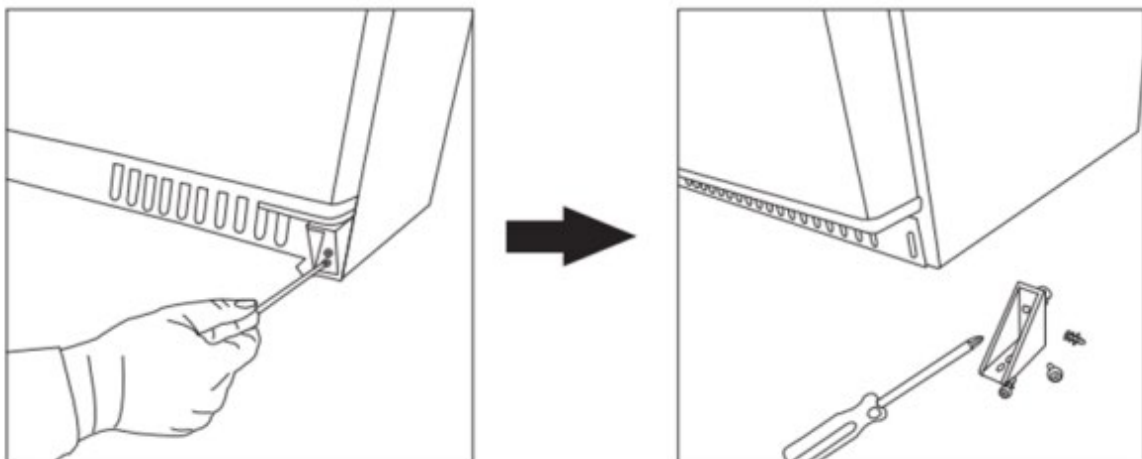
## Ändern Sie die Türrichtung

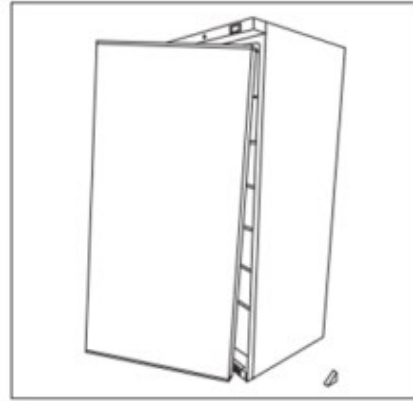
Die Tür kann von rechts- auf linksdrehend umgestellt werden, oder umgekehrt. Gehen Sie dazu wie folgt vor:

1. Stromversorgung ausschalten und den Schalter aus der Steckdose ziehen

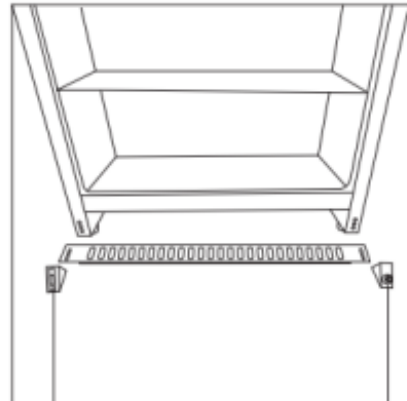
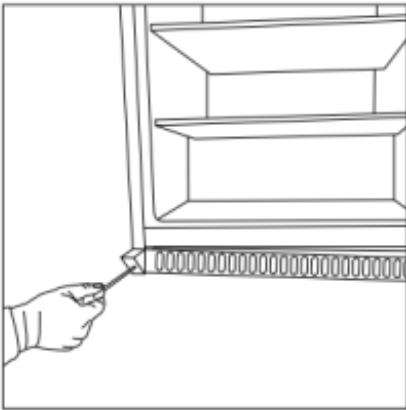


2. Scharnier 2 entfernen





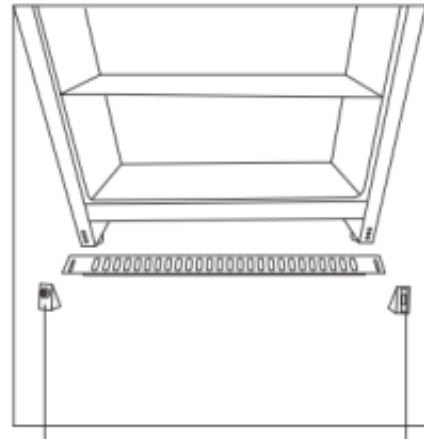
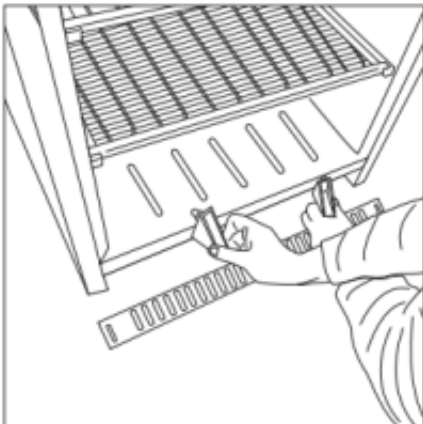
4.Scharnier 1 entfernen



Scharnier 1

Scharnier 2

5.Change the two hinge positions



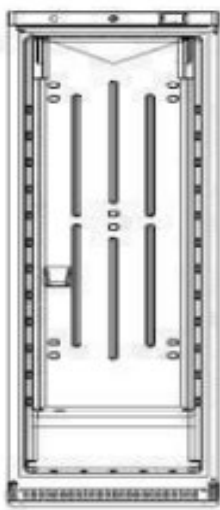
Scharnier 2

Scharnier 1

6.Scharnier 1 anbringen



7. Drehen Sie die Tür um und befestigen Sie sie am oberen Scharnier



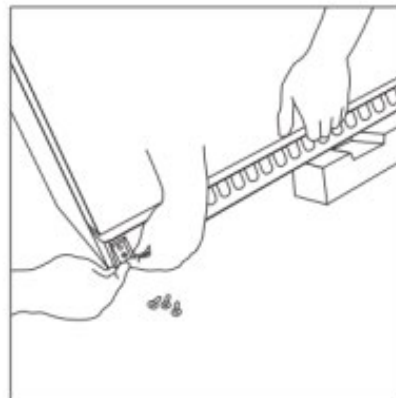
Scharnier 3



Bewegen Sie die Scharnier-3-Scharnierachse von der rechten Seite auf die linke Seite.



8. Scharnier 2 anbringen



## Reinigung, Pflege und Wartung

### Schalten Sie das Gerät vor der Reinigung aus und trennen Sie es vom Stromnetz.

Das Gehäuse sollte mit einer milden Seifenlösung gereinigt werden. Verwenden Sie keine scheuernden Reinigungsmittel. Die Kunststoffteile können kochendem Wasser nicht standhalten (max. Temperatur +85 °C).



Achten Sie bei der regelmäßigen Reinigung darauf, die Gummidichtung der Tür abzuwischen, um sicherzustellen, dass alle klebrigen Substanzen entfernt werden, die die Dichtung beschädigen könnten.

Der Luftauslass des Verflüssigergebläses oberhalb des Kompressors muss frei von Blättern, Papier usw. sein, um einen normalen Betrieb des Gehäuses zu gewährleisten.

Auch der Kondensator auf der Rückseite des Gehäuses muss regelmäßig gereinigt werden. Dies geschieht am besten mit einem Staubsauger und einer Bürste.

### Routinemäßige Wartung

Schalten Sie das Gerät vor der Reinigung aus und trennen Sie es vom Stromnetz.

- Reinigen Sie das Gehäuse und das Innere des Geräts so oft wie möglich.
- Reinigen Sie das Gerät mit einem feuchten Tuch. Lassen Sie Schalter, Bedienfeld, Kabel und Stecker niemals nass werden.
- Verwenden Sie keine scheuernden Reinigungsmittel. Diese können schädliche Rückstände hinterlassen. Verwenden Sie nur milde Seifenlauge.
- Reinigen Sie die Türdichtung nur mit Wasser.
- Achten Sie darauf, dass kein Reinigungswasser in die elektrischen Komponenten eindringt.
- Darf nicht mit einem Wasserstrahl gereinigt werden.
- Wischen Sie das Gerät nach der Reinigung immer mit einem weichen Tuch trocken.
- Seien Sie vorsichtig bei der Reinigung der Rückseite des Geräts.
- Reparaturen müssen bei Bedarf von einem Vertreter oder qualifizierten Techniker durchgeführt werden.
- Wenn das Gerät längere Zeit nicht benutzt wird, ziehen Sie den Netzstecker, nachdem Sie den Schalter in die OFF-Position gestellt haben, leeren Sie das Kühlfach und reinigen Sie es gründlich. Bitte lassen Sie die Tür offen, um Geruchs- und Schimmelbildung zu vermeiden.
- Seien Sie vorsichtig bei der Reinigung der Rückseite des Geräts.
- Reparaturen müssen bei Bedarf von einem Vertreter oder qualifizierten Techniker durchgeführt werden.
- Wenn das Gerät längere Zeit nicht benutzt wird, ziehen Sie den Netzstecker, nachdem Sie den Schalter in die OFF-Position gestellt haben, leeren Sie das Kühlfach und reinigen Sie es gründlich. Bitte lassen Sie die Tür offen, um Geruchs- und Schimmelbildung zu vermeiden.

### Besondere Wartung

Die Anweisungen im folgenden Abschnitt gelten für QUALIFIZIERTE PERSONEN.

Regelmäßige Vorgänge:

- Reinigen Sie den Kondensator regelmäßig mit geeigneten Werkzeugen (Staubsauger oder weiche Bürsten).
- Prüfen Sie, dass die elektrischen Anschlüsse nicht lose sind.
- Prüfen Sie, ob der Thermostat und der Sensor einwandfrei funktionieren.
- Eine regelmäßige Reinigung des Kondensators kann die Lebensdauer des Geräts verlängern.
- Wir empfehlen, dass ein Vertreter oder qualifizierter Techniker den Kondensator reinigt.
- Bewahren Sie den Schlüssel für den Schaltschrank außerhalb der Reichweite von Kindern auf.
- Verwenden Sie ausschließlich den Schlüssel zum Öffnen des Schlosses.

## Fehlerbehebung

Wenn bei Ihrem Kühlschrank ein Fehler auftritt, schauen Sie bitte in der folgenden Tabelle nach

Fehler	Übliche Ursache	Maßnahme
Das Gerät funktioniert nicht	Das Gerät ist nicht eingeschaltet	Prüfen Sie, ob das Gerät richtig eingesteckt und eingeschaltet ist
	Stecker und/oder Kabel sind beschädigt	Rufen Sie unseren Vertreter oder einen qualifizierten Techniker an
	Stromzufuhr	Stromversorgung prüfen
	Interner Verdrahtungsfehler	Rufen Sie unseren Vertreter oder einen qualifizierten Techniker an
Das Gerät schaltet sich ein, aber die Temperatur ist zu hoch/niedrig	Zu viel Eis auf dem Verdampfer	Tauen Sie das Gerät ab
	Kondensator mit Staub verstopft	Reinigen Sie den Kondensator gründlich
	Die Tür ist nicht richtig geschlossen	Prüfen Sie, ob die Tür geschlossen ist und die Dichtungen nicht beschädigt sind
	Das Gerät befindet sich in der Nähe einer Wärmequelle oder der Luftstrom zum Kondensator ist blockiert	Stellen Sie den Kühlschrank an einen besser geeigneten Ort
	Die Umgebungstemperatur ist zu hoch	Erhöhen Sie die Belüftung oder stellen Sie das Gerät an einen kühleren Ort
	Es werden ungeeignete Lebensmittel im Gerät gelagert	Entfernen Sie übermäßig heiße Lebensmittel oder Verstopfungen des Lüfters
	Das Gerät ist überladen	Reduzieren Sie die Menge der im Gerät gelagerten Lebensmittel
Aus dem Gerät tritt Wasser aus (Kühlschrank)	Das Gerät ist nicht richtig nivelliert	Stellen Sie die Schraubfüße ein, um das Gerät zu nivellieren
	Der Auslass ist verstopft	Leeren Sie den Auslass
	Der Wasserbehälter ist beschädigt	Rufen Sie unseren Vertreter oder einen qualifizierten Techniker an

## Entsorgung

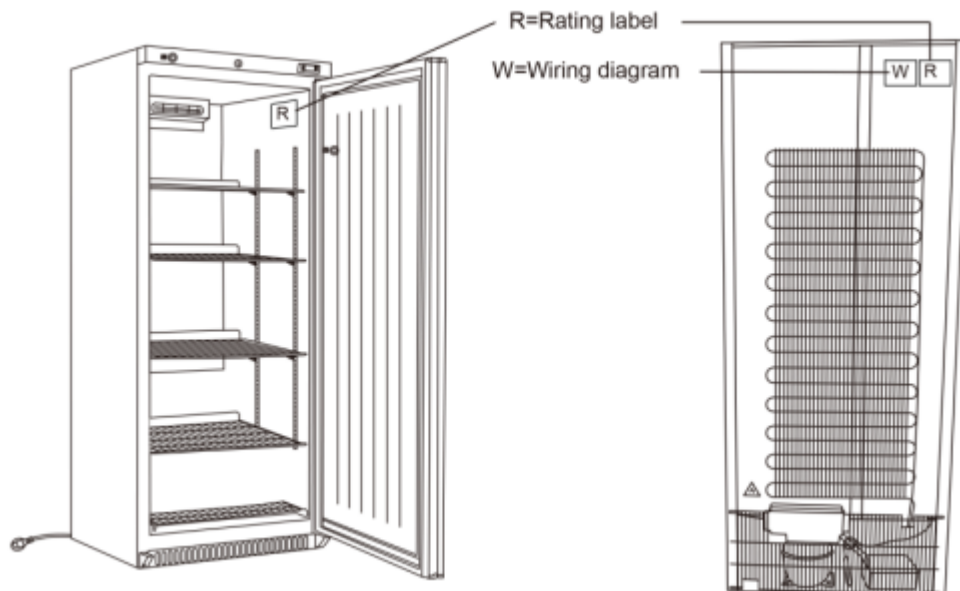
Sollte der Schrank nicht mehr in Gebrauch sein und Sie möchten ihn entsorgen, gehen Sie bitte umweltgerecht vor. Möglicherweise gibt es besondere Auflagen oder Voraussetzungen. Informationen über die Entsorgung von Kühlgeräten erhalten Sie bei:

- Ihrem Lieferanten - Regierungsbehörden (Gemeindeverwaltung, Umweltministerium usw.)



## Technische Angaben

Bitte beachten Sie die auf dem Produkt angegebenen Informationen. Sie finden die Informationen auf dem Typenschild auf der Rückseite des Geräts sowie im Inneren des Kühlfachs. Der Schaltplan befindet sich sowohl auf der Rückseite des Geräts als auch im Inneren des Kühlfachs.



### Umweltschutz



Entsorgte Elektrogeräte sind recycelbar und gehören nicht in den Hausmüll! Bitte unterstützen Sie uns aktiv bei der Schonung von Ressourcen und dem Schutz der Umwelt, indem Sie dieses Gerät bei den entsprechenden Sammelstellen abgeben (falls vorhanden).



VORSICHT: BRAND- UND EXPLOSIONSGEFAHR DURCH ENTFLAMMBARES KÄLTEMITTEL R600a/R290.



Klimaklasse des Messraums	Trockenkugeltemperatur °C	Relative Luftfeuchtigkeit %	Taupunkt °C	Wasserdampfmasse in trockener Luft g/kh
4	30	55	20,0	14,8

## Garantie

### Für dieses Produkt gilt eine gesetzliche Garantie.

Schäden, die durch falsche Behandlung oder Bedienung, durch falsche Platzierung oder Lagerung, durch unsachgemäßen Anschluss oder Installation sowie durch Gewalt oder andere äußere Einflüsse entstehen, sind von dieser Garantie nicht abgedeckt. Wir empfehlen, die Bedienungsanleitung sorgfältig zu lesen, da sie wichtige Informationen enthält. Hinweis:

- Sollte dieses Produkt nicht richtig funktionieren, prüfen Sie bitte zunächst, ob es andere Gründe gibt, z. B. bei Elektrogeräten eine Unterbrechung der Stromversorgung oder generell eine falsche Handhabung die Ursache sind.
- Bitte beachten Sie, dass Sie nach Möglichkeit die folgenden Dokumente bzw. Informationen zusammen mit Ihrem defekten Produkt einreichen sollten:
  - Kaufbeleg
  - Modellbeschreibung/Typ/Marke
  - Beschreiben Sie den Fehler und das Problem so detailliert wie möglich

Im Falle eines Garantie- oder Mängelanspruchs wenden Sie sich bitte an den Verkäufer.

## Conseils de sécurité

- L'appareil est destiné à un usage commercial ou à un usage similaire (etc. à utiliser par un profane dans les magasins).
- N'utilisez PAS l'appareil à l'extérieur.
- NE PAS essayer de réparer l'appareil soi-même.
- N'utilisez PAS d'appareils endommagés. En cas de doute, consultez un agent de service.
- AVERTISSEMENT : N'utilisez pas d'appareils électriques à l'intérieur des compartiments de stockage des aliments/de la glace, sauf s'ils sont du type recommandé par le fabricant.
- AVERTISSEMENT : Ne pas obstruer les ouvertures de ventilation dans l'enceinte de l'appareil ou dans la structure d'encastrement.
- AVERTISSEMENT : N'utilisez pas de dispositifs mécaniques ou d'autres moyens pour accélérer le processus de dégivrage, autres que ceux recommandés par le fabricant.
- AVERTISSEMENT : Ne pas endommager le circuit de réfrigération.
- NE PAS se tenir ou s'appuyer sur la base, les tiroirs ou la porte.
- NE PAS laisser l'huile ou la graisse entrer en contact avec les composants en plastique ou le joint de la porte. Nettoyez immédiatement en cas de contact.
- NE PAS placer d'articles combustibles, explosifs ou volatils, d'acides ou de bases corrosives ou de liquides dans l'appareil.
- NE PAS utiliser cet appareil pour stocker des fournitures médicales.
- NE PAS utiliser de nettoyeur à jet/pression pour nettoyer l'appareil.
- Ne laissez pas les enfants jouer avec l'emballage et détruisez les sacs en plastique en toute sécurité.
- Les bouteilles contenant un pourcentage élevé d'alcool doivent être scellées et placées verticalement dans le réfrigérateur.
- Transportez, stockez et manipulez toujours l'appareil à la verticale et déplacez-vous en tenant la base de l'appareil.
- Éteignez et débranchez toujours l'alimentation électrique de l'appareil avant de le nettoyer.
- Si le cordon d'alimentation est endommagé, il doit être remplacé par le fabricant, son agent de service ou des personnes de qualification similaire afin d'éviter tout danger.
- Cet appareil n'est pas destiné à être utilisé par des personnes (y compris des enfants) dont les capacités physiques, sensorielles ou mentales sont réduites, ou qui manquent d'expérience et de connaissances, à moins qu'elles n'aient bénéficié d'une surveillance ou d'instructions concernant l'utilisation de l'appareil de la part d'une personne responsable de leur sécurité.
- Les enfants doivent être surveillés afin de s'assurer qu'ils ne jouent pas avec l'appareil. Cet appareil peut être utilisé par des enfants âgés de 8 ans et plus et par des personnes dont les capacités physiques, sensorielles ou mentales sont réduites ou qui manquent d'expérience et de connaissances, à condition qu'elles aient reçu une surveillance ou des instructions concernant l'utilisation de l'appareil en toute sécurité et qu'elles comprennent les risques encourus. Les enfants ne doivent pas jouer avec l'appareil. Le nettoyage et l'entretien ne doivent pas être effectués par des enfants sans surveillance.
- Pour une utilisation à l'intérieur uniquement. Ne convient pas à une installation dans une zone où un jet d'eau pourrait être utilisé. Ne doit pas être nettoyé au jet d'eau.
- Pour garantir un fonctionnement sûr, veillez à ce que l'appareil soit installé et raccordé conformément aux instructions du manuel d'utilisation.
- Toute réparation ou intervention sur l'appareil doit être effectuée par le service après-vente.
- La charge maximale de chaque étagère est de 25 kg.
- La clé du réfrigérateur/congélateur doit être tenue hors de portée des enfants et des utilisateurs. Ne stockez pas dans cet appareil des substances explosives telles que des bombes aérosols contenant un agent propulseur inflammable.
- Veuillez-vous conformer aux réglementations locales concernant la mise au rebut de l'appareil pour son gaz de soufflage d'isolation inflammable. Avant de mettre l'appareil au rebut, retirez les portes afin d'éviter que des enfants ne s'y coincent.

## Utilisation prévue

Cet appareil ne doit être utilisé que pour refroidir et conserver des aliments et des boissons à des fins commerciales.

## Emplacement et installation

L'armoire doit être placée dans une pièce sèche et suffisamment ventilée. Pour fonctionner efficacement, elle ne doit pas être placée en plein soleil ou à proximité d'appareils chauds. Veuillez noter que les performances optimales de l'armoire sont obtenues à une température ambiante comprise entre +16°C et +35°C.

Réfrigérateur : En plaçant l'armoire dans un environnement où l'humidité de l'air est élevée, il peut être nécessaire d'acquérir un équipement supplémentaire pour l'évaporation de l'eau d'égouttage dans le bac près du compresseur.

L'armoire peut être installée de manière autonome contre un mur.

### Important

L'armoire doit être suffisamment ventilée et l'air doit circuler librement sous, au-dessus et derrière l'armoire.

Les pieds situés sous l'armoire permettent de garantir un espace d'air suffisant.

- Retirez l'appareil de son emballage. Veillez à ce que tous les films plastiques de protection et les revêtements soient soigneusement enlevés de toutes les surfaces. Pour éviter les blessures ou les dommages à l'appareil, nous recommandons que l'appareil soit déballé et installé par deux personnes.
- L'appareil doit être placé sur un sol solide et plat afin de réduire les bruits et les vibrations. Mettez l'appareil à niveau en réglant les pieds à vis.
- Vérifiez que l'alimentation et la tension utilisées sont conformes aux indications de la plaque signalétique. La prise doit être accessible après l'installation.
- Branchez et débranchez correctement la prise. Lors de l'insertion, veillez à ce que la prise soit complètement enclenchée. Lors du débranchement, tenez le corps de la prise. Ne jamais tirer directement sur le cordon d'alimentation.
- Si l'appareil doit être arrêté pendant une longue période, éteignez-le et débranchez la prise de la prise de courant. Nettoyez l'appareil et laissez la porte ouverte pour éviter les odeurs.
- Important : pour votre sécurité personnelle, cet appareil ne doit pas être utilisé à des fins commerciales. Pour votre sécurité personnelle, cet appareil doit être correctement mis à la terre. Cet appareil est équipé d'un cordon muni d'un fil de mise à la terre et d'une prise de mise à la terre. La prise doit être insérée dans une prise de courant correctement mise à la terre et installée. Consultez un électricien qualifié ou un centre de service si vous ne comprenez pas parfaitement les instructions de mise à la terre. En cas de doute sur la mise à la terre de l'appareil, demandez à un électricien qualifié de vérifier le circuit pour s'assurer que la prise est correctement mise à la terre.
- Si le câble n'atteint pas la prise la plus proche, modifiez l'agencement de votre magasin ou demandez à un électricien qualifié de fixer une nouvelle prise.
- En cas de coupure de courant, attendez au moins 3 minutes avant de redémarrer l'appareil pour éviter d'endommager le compresseur.

Note : Si l'appareil n'a pas été stocké ou déplacé en position verticale, laissez-le reposer en position verticale pendant environ 12 heures avant de l'utiliser.

Note : Avant d'utiliser l'appareil pour la première fois, nettoyez les étagères et l'intérieur avec de l'eau.



## Alimentation électrique

L'armoire est destinée à être raccordée à un courant alternatif. La tension de raccordement (220-240 V) et la fréquence (50 Hz) sont indiquées sur la plaque signalétique de l'armoire. Le branchement électrique s'effectue à l'aide d'une prise à trois broches sur une prise murale. Les éventuelles exigences de mise à la terre du réseau électrique local doivent être respectées. La prise de l'armoire et la prise murale doivent permettre une mise à la terre correcte.

En cas de doute, contactez votre fournisseur local ou un électricien agréé.

### Avertissement - Cet appareil doit être mis à la terre

Le cordon flexible dont est équipé cet appareil comporte trois fils destinés à être utilisés avec une prise à 3 broches de 13 ampères. Si une prise à fusible B.B. 1363 (13 ampères) est utilisée, elle doit être équipée d'un fusible de 13 ampères ou d'une prise Schuko moulée à angle droit. Notez la plaque percée d'un trou entre et au-dessus des deux broches - elle se connecte aux prises françaises et belges, qui ont une broche de mise à la terre qui dépasse. Dans une fente partant de cette plaque se trouve une bande de prolongation de la plaque. D'autres pays européens utilisent une prise avec un connecteur métallique à spirale sortant sur le côté, qui s'adapte à cette bande. Ainsi, le Schuko peut être utilisé dans la plupart des pays d'Europe continentale.

### Important

Les fils de ce cordon d'alimentation sont colorés selon le code suivant :

Vert et jaune : terre

Bleu : neutre

Marron : sous tension

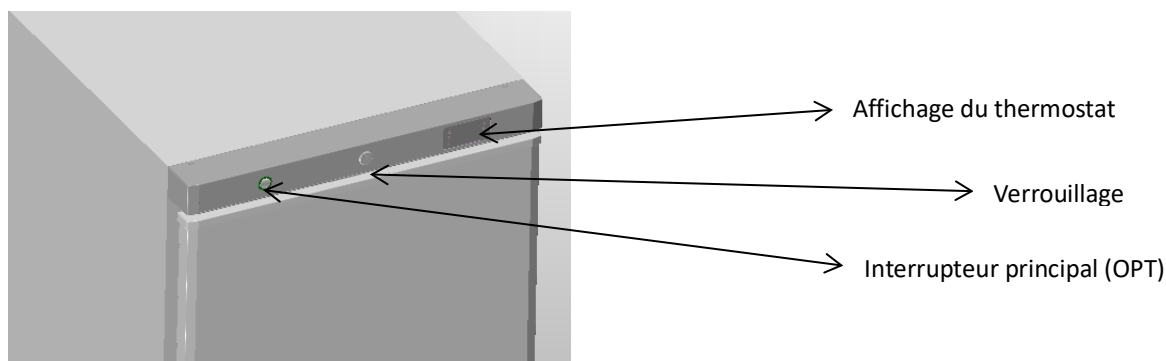
Les couleurs des fils du câble d'alimentation de cet appareil peuvent ne pas correspondre aux marques de couleur identifiant les bornes de votre prise. Procédez comme suit :

Le fil de couleur verte et jaune doit être connecté à la borne de la prise marquée "E", marquée du symbole de la terre ou de couleur verte et jaune. Le fil de couleur bleue doit être connecté à la borne marquée de la lettre "N" ou de couleur noire. Le fil de couleur marron doit être connecté à la borne marquée de la lettre "L" ou de couleur rouge.

## Démarrage

Brancher l'armoire. L'écran affiche la température actuelle de l'armoire

Entretien. Assurez-vous que l'appareil est éteint avant de procéder à l'entretien des pièces électriques.



## Fonctionnement

### Stocker de la nourriture

Pour obtenir les meilleurs résultats avec votre appareil, suivez ces instructions :

- Ne conservez les aliments dans l'appareil que lorsque celui-ci a atteint la bonne température de fonctionnement.
- Fermez toujours la porte lorsque vous n'utilisez pas l'appareil et qu'il est allumé.
- Ne placez pas d'aliments ou de liquides chauds non couverts à l'intérieur de l'appareil.
- Enveloppez ou couvrez les aliments dans la mesure du possible.
- N'obstruez pas les ventilateurs à l'intérieur de l'appareil. (Réfrigérateur)
- Évitez d'ouvrir la porte pendant des périodes prolongées.
- La charge maximale pour une étagère est de 25 kg.
- Les aliments doivent être placés dans un récipient avant d'être placés dans l'armoire ou sur l'étagère. Les aliments ne doivent pas être placés directement dans l'armoire alimentaire.

### Allumer

- Fermez la porte de l'appareil.

### Réglage et contrôle de la température

Veillez consulter l'intercalaire ci-joint pour le mode d'emploi du réglage des paramètres du thermostat.



## Procédure de dégivrage

Réfrigérateur:

Dégivrage automatique par évaporation automatique de l'eau.

Dégivrage automatique : l'appareil effectue automatiquement des cycles de dégivrage.



Note : le cycle commence dès la mise sous tension initiale de l'appareil.

Pour dégivrer manuellement l'appareil :

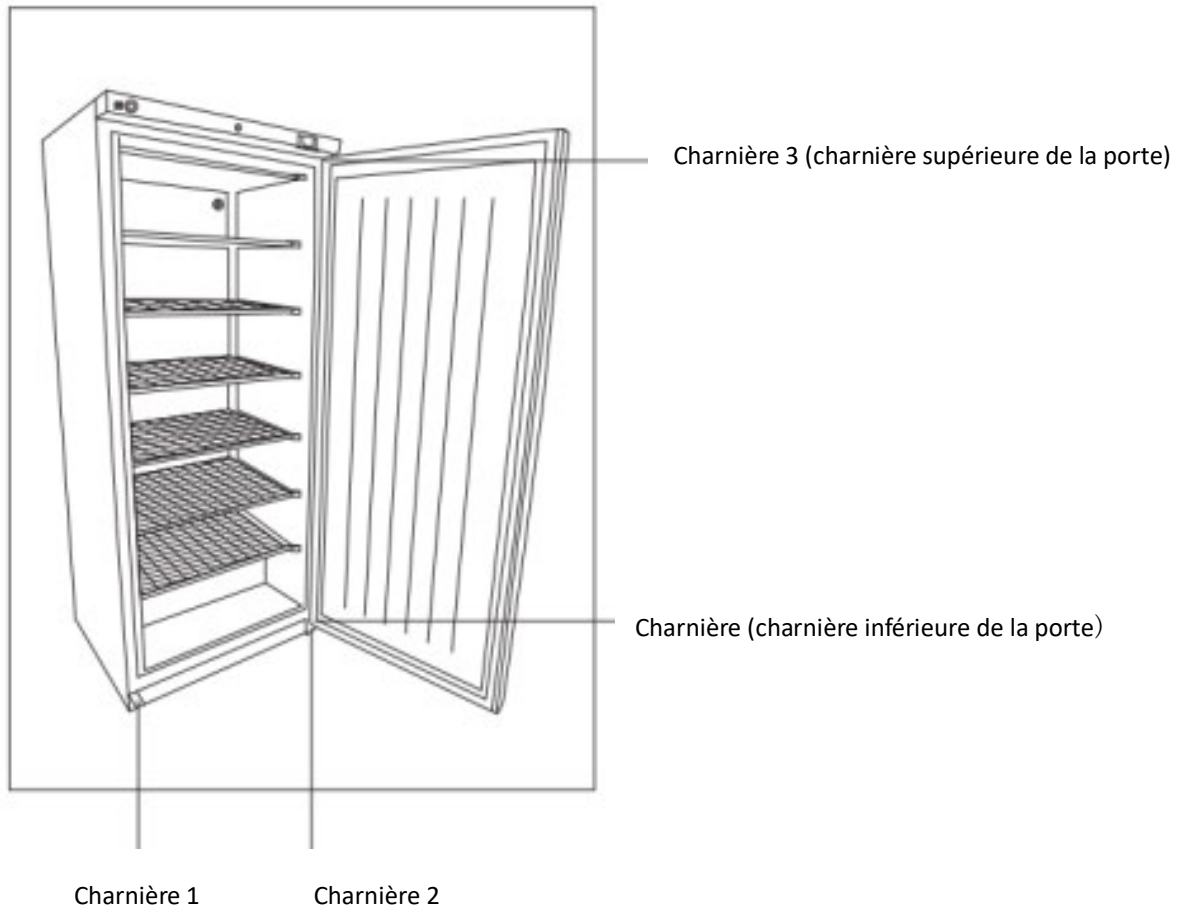
- Appuyez sur la touche DEFROST et maintenez-la enfoncée pendant 5 secondes.
- Le cycle de dégivrage démarre immédiatement et le voyant Dégivrage s'allume.

Note : Le démarrage d'un dégivrage manuel réinitialise également la minuterie de dégivrage automatique. Le prochain dégivrage automatique commencera en fonction du paramètre défini après la fin du dégivrage manuel. N'utilisez jamais d'objet pointu ou tranchant susceptible d'endommager le réfrigérateur.

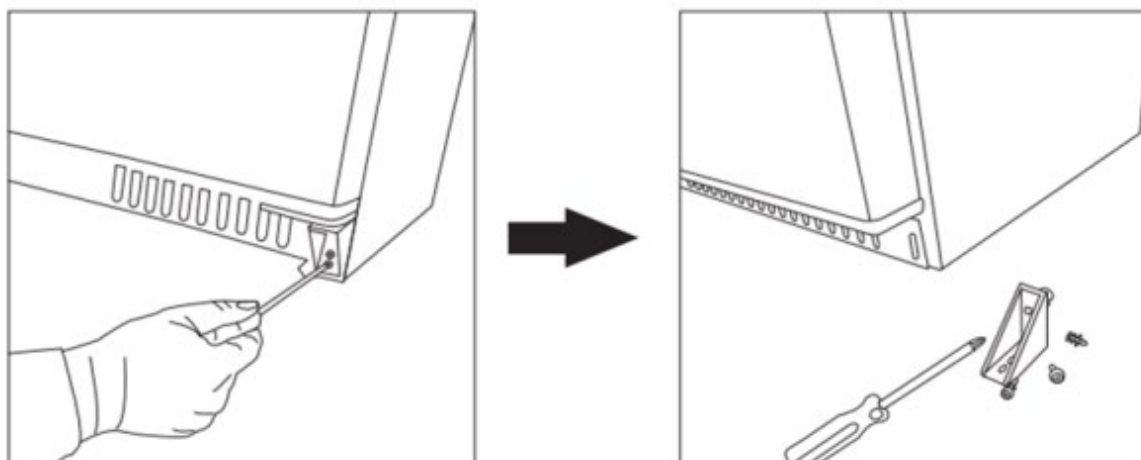
## Changer le sens de la porte

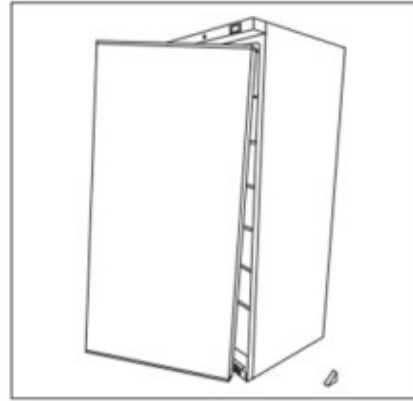
La porte peut être transformée de charnière droite en charnière gauche, ou inversement. Pour ce faire, procédez comme suit :

1. Couper l'alimentation et débrancher la prise principale.

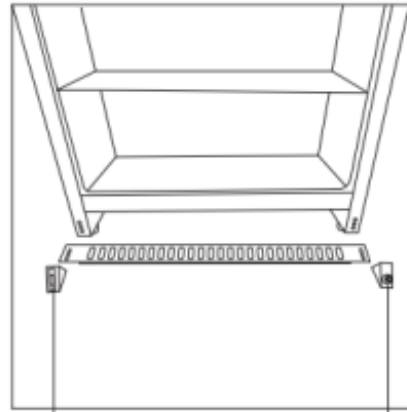
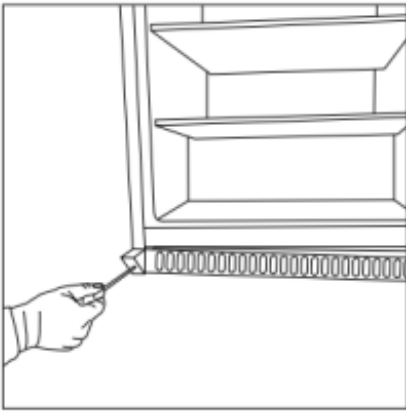


2. Enlever la charnière 2





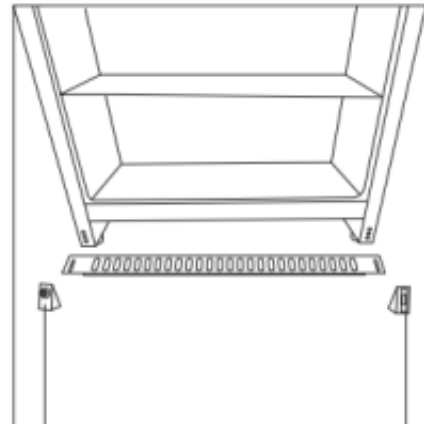
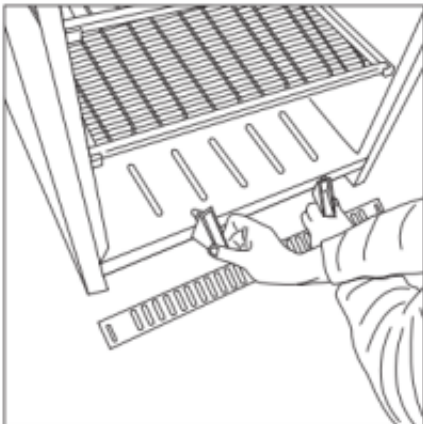
4. Enlever la charnière 1



charnière 1

charnière 2

5. Changer la positions des 2 charnières



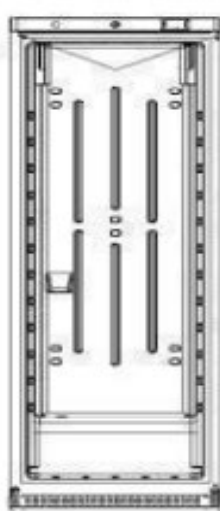
charnière 2

charnière 1

6. Réparer la charnière 1



7. Retourner la porte et la raccorder à la charnière supérieure.



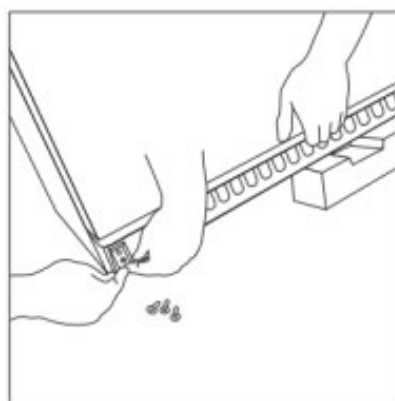
charnière 3



Déplacez l'axe de la charnière 3 du côté droit vers le côté gauche.



8. Réparer la charnière 2





## Nettoyage, entretien et maintenance



### **Avant de procéder au nettoyage, éteignez l'appareil et débranchez-le du réseau électrique.**

L'armoire doit être maintenue propre à l'aide d'une solution savonneuse douce. Ne pas utiliser de nettoyeurs abrasifs. Les pièces en plastique ne résistent pas à l'eau bouillante (température maximale +85°C).

Lors du nettoyage régulier, veillez à essuyer le joint de porte en caoutchouc afin d'éliminer toute substance collante susceptible d'endommager le joint.

La sortie d'air du ventilateur du condenseur au-dessus du compresseur doit être exempte de feuilles, de papier, etc. pour assurer le fonctionnement normal de l'armoire.

Le condenseur situé à l'arrière de l'armoire doit également être nettoyé régulièrement. Il est préférable d'utiliser un aspirateur et une brosse.

### **Entretien de routine**

Mettez l'appareil hors tension et déconnectez-le de l'alimentation électrique avant de le nettoyer.

- Nettoyez le boîtier et l'intérieur de l'appareil aussi souvent que possible.
- Nettoyez l'appareil avec un chiffon humide. Ne jamais mouiller l'interrupteur, le panneau de commande, le câble ou la prise.
- N'utilisez pas de produits de nettoyage abrasifs. Ceux-ci peuvent laisser des résidus nocifs. Utilisez uniquement de l'eau savonneuse douce.
- Nettoyez le joint de la porte avec de l'eau uniquement.
- Veillez à ce que l'eau de nettoyage ne pénètre pas dans les composants électriques.
- Ne doit pas être nettoyé au jet d'eau.
- Après le nettoyage, essuyez toujours avec un chiffon doux.
- Soyez prudent lorsque vous nettoyez l'arrière de l'appareil.
- Un agent ou un technicien qualifié doit effectuer les réparations nécessaires.
- Si l'appareil doit rester inactif pendant de longues périodes, débranchez-le après avoir mis l'interrupteur en position OFF, videz le compartiment réfrigérant et nettoyez-le soigneusement. Laissez la porte ouverte pour éviter le développement d'odeurs et de moisissures.
- Faites attention lorsque vous nettoyez l'arrière de l'appareil.
- Un agent ou un technicien qualifié doit effectuer les réparations nécessaires.
- Si l'appareil doit rester inactif pendant de longues périodes, débranchez-le après avoir placé l'interrupteur en position OFF, videz le compartiment réfrigérant et nettoyez-le soigneusement. Laissez la porte ouverte pour éviter le développement d'odeurs et de moisissures.

### **Entretien spécial**

Les instructions données dans le paragraphe suivant s'adressent à une PERSONNE QUALIFIÉE.

Opérations périodiques :

- Nettoyer périodiquement le condenseur à l'aide d'outils appropriés (aspirateur ou brosses douces).
- Vérifier que les connexions électriques ne sont pas desserrées.
- Vérifier le bon fonctionnement du thermostat et du capteur.
- Le nettoyage périodique du condenseur peut prolonger la durée de vie de l'appareil.
- Il est recommandé de confier le nettoyage du condenseur à un agent ou à un technicien qualifié.
- La clé de l'armoire électrique doit être tenue hors de portée des enfants.
- N'utilisez la clé que pour ouvrir la serrure.

## Dépannage

Si votre réfrigérateur présente une anomalie, veuillez consulter le tableau suivant

Problème	Cause probable	Action
L'appareil ne fonctionne pas	L'appareil n'est pas allumé	Vérifiez que l'appareil est correctement branché et allumé
	La prise et/ou le câble sont endommagés	Appelez notre agent ou un technicien qualifié
	Alimentation électrique	Vérifiez l'alimentation électrique
	Défaut de câblage interne	Appelez notre agent ou un technicien qualifié
L'appareil s'allume, mais la température est trop élevée/basse	Trop de glace sur l'évaporateur	Dégivrez l'appareil
	Condenseur bloqué par la poussière	Nettoyez soigneusement le condenseur
	La porte n'est pas correctement fermée	Vérifiez que la porte est bien fermée et que les joints ne sont pas endommagés
	L'appareil est situé près d'une source de chaleur ou le flux d'air vers le condenseur est bloqué.	Déplacez le réfrigérateur dans un endroit plus approprié
	La température ambiante est trop élevée	Augmentez la ventilation ou déplacez l'appareil dans un endroit plus frais
	Des denrées alimentaires inappropriées sont stockées dans l'appareil.	Éliminez les aliments trop chauds ou les obstructions du ventilateur.
	L'appareil est surchargé	Réduisez la quantité d'aliments stockés dans l'appareil.
L'appareil présente une fuite d'eau	L'appareil n'est pas correctement mis à niveau	Ajustez les pieds à vis pour mettre l'appareil à niveau
	L'orifice d'évacuation est obstrué	Dégagez l'orifice d'évacuation.
	Le réservoir d'eau est endommagé	Appelez notre agent ou un technicien qualifié

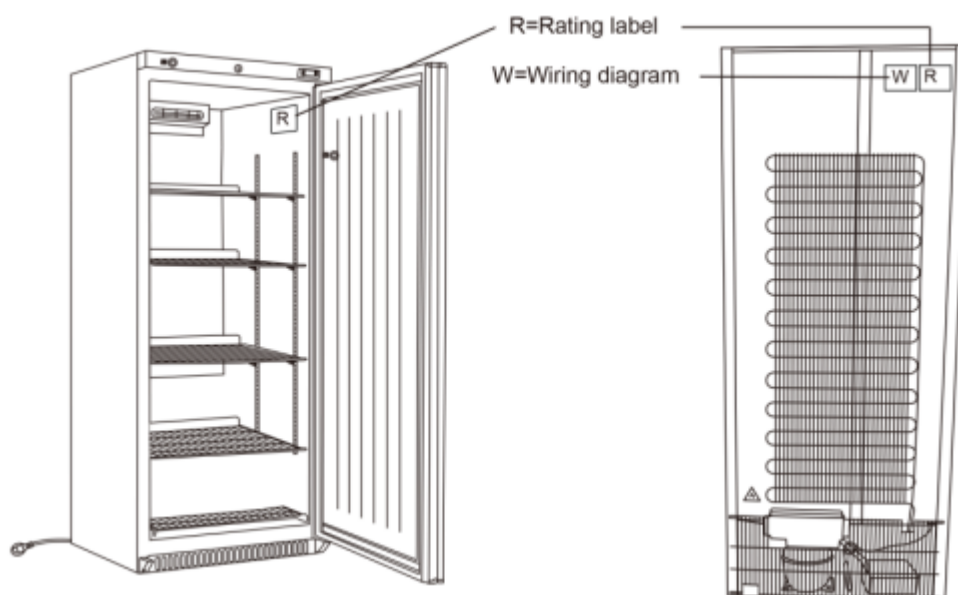
## Élimination des déchets

Si l'armoire est hors d'usage et que vous souhaitez vous en débarrasser, veuillez le faire dans le respect de l'environnement. Il peut y avoir des exigences ou des conditions particulières. Vous pouvez obtenir des informations sur l'élimination des appareils de réfrigération auprès de :

- Votre fournisseur - les autorités publiques (conseil municipal, ministère de l'environnement, etc.)

## Données techniques

Veillez-vous référer aux informations indiquées sur le produit. Vous trouverez ces informations sur l'étiquette signalétique au dos de l'appareil ainsi qu'à l'intérieur du compartiment de refroidissement. Le schéma de câblage est affiché au dos de l'appareil ainsi qu'à l'intérieur du compartiment de refroidissement.



### Protection de l'environnement

Les appareils électriques hors d'usage sont recyclables et ne doivent pas être jetés dans les ordures ménagères ! Veuillez nous aider activement à préserver les ressources et à protéger l'environnement en rapportant cet appareil aux centres de collecte (s'il y en a).



ATTENTION : RISQUE D'INCENDIE ET D'EXPLOSION AVEC LE RÉFRIGÉRANT INFLAMMABLE R600a/R290.



Classe climatique de la salle d'essai	Température sèche °C	Humidité relative %	Point de rosée °C	Masse de vapeur d'eau dans l'air sec g/kh
4	30	55	20,0	14,8

## Garantie

### Ce produit bénéficie d'une garantie légale.

Les dommages causés par un traitement ou une utilisation incorrects, par un placement ou un stockage erroné, par un raccordement ou une installation incorrects, ainsi que par la force ou d'autres influences extérieures ne sont pas couverts par la présente garantie. Nous recommandons de lire attentivement le mode d'emploi car il contient des informations importantes.

#### Note :

1. Si ce produit ne fonctionne pas correctement, veuillez d'abord vérifier s'il n'y a pas d'autres raisons, par exemple, pour les appareils électriques, une interruption de l'alimentation électrique ou, en général, une mauvaise manipulation.
2. Veuillez noter que, dans la mesure du possible, les documents suivants ou d'autres informations doivent être fournis avec votre produit défectueux :
  - a. la facture d'achat
  - b. Description du modèle/Type/Marque
  - c. Décrivez le défaut et le problème de la manière la plus détaillée possible.

En cas de demande de garantie ou de défaut, veuillez contacter le vendeur.