

BAR LINE

ICE - MACHINES



The Best Ice Making Solution



BAR LINE

ICE - MACHINES

Bar Line equipment range: the smartest

Bar Line provides top quality ice making equipment: EU and US made "self contained" models plus US made vertical modular models, as applied in the most frequently used ice making production capacities and shapes of ice cubes. Thimble-shaped "Bistrot" ice cubes, "Casino" ice cubes, "Criée" and "Club" ice, all available in various production and storage capacities, will meet the highest operational expectations.

"Bistrot" ice cube



Enhanced flavour, greater eye-appeal altogether a much better drink!

Massive (no "hole"!), thimble shaped, transparent and absolutely pure: this is the Bistrot cube. The Bistrot ice cube, the best for **slow-melting, enhances the flavor of drinks, keeping the temperature of your drink chilled for a longer period of time.**

Bistrot ice cubes are formed inside thimble shaped capsules, positioned horizontally as part of the evaporator assembly, on which water is jet-sprayed in an upward flow. Hence ice cubes are formed only by the purest water molecules, the first to freeze as temperature reaches zero degrees Celsius. Water minerals (that freeze at lower temperatures) are "washed away" and drop back into the water sump. They are then discharged prior to the start of a new freezing cycle. As a result of this process, pure, minerals-free, tasteless and odorless Bistrot ice cubes are formed.

"Casino" ice cube



Operating and maintenance costs are minimized thanks to versatile production technology.

This is the classic ice "cube", with six sides. One of the sides is concave, and this hollow space creates greater heat exchange surface, hence **faster cooling of beverages drinks. Soda beverages and mixed drinks just go hand in hand with the Casino cube!**

The ice making technology for this type of cube - a vertical evaporator - allows for high ice production capacity at low operating costs. Lots of ice at low operating costs is what is offered by Casino ice cube making machines.

Highly mineralized water, often present in our cities, does not create problems to the ice making process when the vertical evaporator technology is used. Therefore, routine maintenance cycles on these machines may be scheduled at longer intervals!

"Criée" ice



Wine and Champagne reach the best serving temperature faster when buckets are filled with our "Criée" ice!

"La Criée", a French word that means "auction", is used to define this **granular type of ice, perfect for fresh fish display on ice**, as it moisturizes and refrigerates to perfection all fresh products.

"Criée", or granular ice, is obtained by freezing water at negative temperature just below zero degrees Celsius.

With the "Criée" ice we offer the best possible form of ready-to-use refrigeration and re-hydration for displayed fresh food. "Criée" ice has a quantity of residual (unfrozen) water of 25%, hence it is high in humidity, capable of transferring moisture onto the products which are being refrigerated. Fresh fish is not the only product which is best kept on "Criée" ice: hotels use it for their buffet service, displaying fresh fruit as well as any fresh produce, presenting and maintaining freshness and colors at their best for longer periods of time.

"Club" ice



"Club" ice making machines are water-conscious: each drop of water entering the machine is transformed into ice!

"Club" ice granules are formed by compressing ice flakes to a lesser amount of inherent residual water. In comparison with standard granular ice, or "Criée" ice, **"Club" ice will last longer, either in long drinks or on fresh food display counters.**

Stop crushing regular ice cubes to obtain the required ice crumbs for Mojito's and Caipirinha's: save time and labor by adopting our "Club" ice!

"Club" ice has the highest displacement factor (volume in the glass normally occupied by liquid and instead replaced by ice) of all ice types. This is the appropriate ice for all "tropical" drinks, and also performs at its best in all kinds of "soda" drinks.



solution for professional ice-making.

Modular Ice Machines

Satisfying the expectations of the most demanding Customers in terms of energy performance vs. quantities of ice produced, modular ice machines offer the greatest levels of reliability, producing the expected ice quantities day after day, **flawlessly and with reduced maintenance needs**. This is the essence of the Bar Line promise.

Varying in dimensions according to the production rating as well as with the matching storage bin, modular ice makers may produce up to 620 kg of ice in various shapes, pure and crystal clear, as well known by those that have chosen Bar Line as their preferred ice maker.



Accelerated ice harvest system



High efficiency vertical evaporator



Water sump purge system switch

Ice Makers with Built-In Storage Bin

Self-contained Bar Line machines are designed to conveniently include the production system as well as the ice storage container in one chassis. They are **best appreciated** in all those commercial outlets **where ice is required but space is at a premium**.

With production capacities up to 96 kg in 24 hours, Bar Line self-contained units represent **the best option for bars, coffee shops, restaurants and hotel lounges**.

NEW SERIES



Bin door feature slide rollers, for a smooth open-close movement, plus door closure sound dampening, bumpers.

Water distribution system has been improved alongside with the evaporator assembly, compact and efficient.

New, optimized dimensions and production / storage ratios.

Front-panel installed thermostatic controls for ice cube size and storage bin ice level sensor.

Redesigned refrigeration system, offering greater efficiency at same or lower power ratings.



Disappearing storage bin door.



Water drip-guard.



Large air vents for enhanced air flow.



Bar Line Ice Machines are now protected by AgION®, a silver-based anti-microbial compound that reduces the growth of bacteria, microorganisms, algae, mold and slime on ice machine surfaces. AgION is a trademark of AgION Technologies and is registered with the EPA.

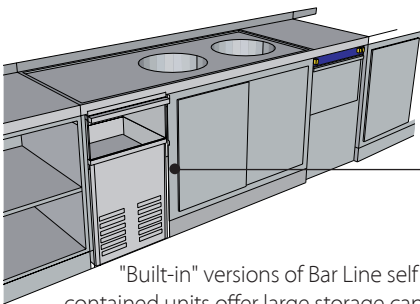
Available on selected models.

BAR LINE

ICE - MACHINES

Bistrot Cube Makers with Built-In Storage Bin

"Bistrot" ice cube



"Built-in" versions of Bar Line self contained units offer large storage capacities, and are available both in the "Medium" (20 grams) as well as in the "Large" (39 grams) size of Bistrot cube, our well known thimble and round-shape ice cube.



B 3515
Ice production & storage
 @ 10°C Air-10°C Water 39 Kg/24h
 @ 21°C Air-15°C Water 35 Kg/24h
Bin storage 15 Kg
 Dimensions WxDxH:
 47cm x 57 cm x 69 cm*



B 4422
Ice production & storage
 @ 10°C Air-10°C Water 50 Kg/24h
 @ 21°C Air-15°C Water 45 Kg/24h
Bin storage 22 Kg
 Dimensions WxDxH:
 47 cm x 47 cm x 91 cm*



B 1706
Ice production & storage
 @ 10°C Air-10°C Water 20 Kg/24h
 @ 21°C Air-15°C Water 18 Kg/24h
Bin storage 6 Kg
 Dimensions WxDxH:
 33 cm x 46 cm x 60 cm*



B 2008
Ice production & storage
 @ 10°C Air-10°C Water 23 Kg/24h
 @ 21°C Air-15°C Water 23 Kg/24h
Bin storage 8 Kg
 Dimensions WxDxH:
 39 cm x 52 cm x 64 cm*



B 2608
Ice production & storage
 @ 10°C Air-10°C Water 28 Kg/24h
 @ 21°C Air-15°C Water 26 Kg/24h
Bin storage 8,5 Kg
 Dimensions WxDxH:
 39 cm x 52 cm x 64 cm*



B 2615
Ice production & storage
 @ 10°C Air-10°C Water 28 Kg/24h
 @ 21°C Air-15°C Water 26 Kg/24h
Bin storage 15 Kg
 Dimensions WxDxH:
 47 cm x 57cm x 69 cm*



B 5522
Ice production & storage
 @ 10°C Air-10°C Water 63 Kg/24h
 @ 21°C Air-15°C Water 58 Kg/24h
Bin storage 22 Kg
 Dimensions WxDxH:
 47 cm x 57 cm x 91 cm



B 7040
Ice production & storage
 @ 10°C Air-10°C Water 75 Kg/24h
 @ 21°C Air-15°C Water 71 Kg/24h
Bin storage 40 Kg
 Dimensions WxDxH:
 54 cm x 60 cm x 103 cm*



B 8040
Ice production & storage
 @ 10°C Air-10°C Water 88 Kg/24h
 @ 21°C Air-15°C Water 82 Kg/24h
Bin storage 40 Kg
 Dimensions WxDxH:
 70 cm x 60 cm x 102 cm*



B 9050
Ice production & storage
 @ 10°C Air-10°C Water 96 Kg/24h
 @ 21°C Air-15°C Water 90 Kg/24h
Bin storage 50 Kg
 Dimensions WxDxH:
 70 cm x 60 cm x 109 cm*



Casino Cube Makers with Built-In Storage Bin or Modular Type

"Casino" ice cube



MODULAR MODELS

"Modular" versions, offered in combination with ice storage bins of various capacities. Patented vertical style evaporator ice making technology, allowing for low-energy as well as low-water consumption per kg of ice produced. Greatest tolerance for high mineral water content. Electro-mechanical controls, simple and reliable, bring along simplified - hence economical - technical service requirements. Five different ice storage bins are available, to achieve maximum installation and operational versatility solutions.



BM325 + BIN42 (sold separately)
Ice production & storage
 @ 21°C Air-10°C Water 140 Kg/24h
 @ 32°C Air-21°C Water 100 Kg/24h
 Dimensions WxDxH*:
 56 cm x 61 cm x 58 cm
BIN42 storage: 170 kg



BM525 + BIN42 (sold separately)
Ice production & storage
 @ 21°C Air-10°C Water 254 Kg/24h
 @ 32°C Air-21°C Water 184 Kg/24h
 Dimensions WxDxH*:
 56 cm x 62 cm x 58 cm
BIN42 storage: 170 kg



BM1005 + BIN55 (sold separately)
Ice production & storage
 @ 21°C Air-10°C Water 424Kg/24h
 @ 32°C Air-21°C Water 335 Kg/24h
 Dimensions WxDxH*:
 76 cm x 61 cm x 66 cm
BIN55 storage: 253 kg



BM305 + BIN25 (sold separately)
Ice production & storage
 @ 21°C Air-10°C Water 164 Kg/24h
 @ 32°C Air-21°C Water 126 Kg/24h
 Dimensions WxDxH*:
 76 cm x 61 cm x 51 cm
BIN25 storage: 116 kg



BM405 + BIN55 (sold separately)
Ice production & storage
 @ 21°C Air-10°C Water 226 Kg/24h
 @ 32°C Air-21°C Water 166 Kg/24h
 Dimensions WxDxH*:
 76 cm x 61 cm x 51 cm
BIN55 storage: 253 kg



BM605 + BIN55 (sold separately)
Ice production & storage
 @ 21°C Air-10°C Water 288 Kg/24h
 @ 32°C Air-21°C Water 208 Kg/24h
 Dimensions WxDxH*:
 76 cm x 61 cm x 51 cm
BIN55 storage: 253 kg



BM805 + BIN40 (sold separately)
Ice production & storage
 @ 21°C Air-10°C Water 386 Kg/24h
 @ 32°C Air-21°C Water 292 Kg/24h
 Dimensions WxDxH*:
 76 cm x 61 cm x 66 cm
BIN40 storage: 166 kg



BM1405 + BIN100 (sold separately)
Ice production & storage
 @ 21°C Air-10°C Water 620 Kg/24h
 @ 32°C Air-21°C Water 480 Kg/24h
 Dimensions WxDxH*:
 122 cm x 61 cm x 66 cm
BIN100 storage: 421 kg

Self-contained version model

BS 305A



Ice production & storage
 @ 21°C Air-10°C Water 135 Kg/24h
 @ 32°C Air-21°C Water 101 Kg/24h
Bin storage 51 Kg
 Dimensions WxDxH:
 76 cm x 76 cm x 99 cm (plastic finish)

Self-contained version of medium-high production capacity. Patented vertical style evaporator ice making technology, simple and reliable, allowing for low-energy and low-water consumption per kg of ice produced, while requiring low maintenance even in high-minerals water areas. Simplified electro-mechanical controls, for low-cost technical service requirements.

* size of the single machine



BAR LINE

ICE - MACHINES

Criée Ice Makers: with Built-In Storage Bin or Modular version

"Criée" ice



MODULAR MODELS

"Modular" versions, offered in combination with ice storage bins of various capacities.

Patented vertical style evaporator ice making technology, allowing for low-energy as well as low-water consumption per kg of ice produced. Greatest tolerance for high mineral water content.

Electro-mechanical controls, simple and reliable, bring along simplified - hence economical - technical service requirements.

Four different ice storage bins are available, to achieve maximum installation and operational versatility solutions.

Self-contained version model

BF 80



Ice production

@ 10°C Air-10°C Water 73 Kg/24h

@ 21°C Air-15°C Water 64 Kg/24h

Bin storage 25 Kg

Dimensions WxDxH:

53 cm x 63 cm x 80/92 cm (with legs)

Built-in version, with reduced dimensions and footprint. Vertical, "auger-style" evaporator, for great capacity with reduced water and energy consumption.

Advanced electronic monitoring control, for accurate management of all machine functions and protection from possible freeze-up conditions in low-mineral water conditions.



BFM 800 + BIN55 + KBT19

(sold separately)

Ice production & storage

@ 21°C Air-10°C Water 390 Kg/24h

@ 32°C Air-21°C Water 313 Kg/24h

Dimensions WxDxH*: 53 cm x 61 cm x 69 cm

BIN55 storage: 253 kg



BFM 1256 + BIN55 + KBT19

(sold separately)

Ice production & storage

@ 21°C Air-10°C Water 558 Kg/24h

@ 32°C Air-21°C Water 383 Kg/24h

Dimensions WxDxH*:

53 cm x 61 cm x 69 cm

BIN55 storage: 253 kg



* size of the single machine



Club Ice machines range: Modular models

"Club" ice



MODULAR MODELS

"Modular" versions, offered in combination with ice storage bins of various capacities. Patented vertical style evaporator ice making technology, allowing for low-energy as well as low-water consumption per kg of ice produced. Greatest tolerance for high mineral water content.

Electro-mechanical controls, simple and reliable, bring along simplified - hence economical - technical service requirements.

Four different ice storage bins are available, to achieve maximum installation and operational versatility solutions.



BG 655 + BIN55 + KBT19
(sold separately)

Ice production & storage
@ 21°C Air-10°C Water **318 Kg/24h**
@ 32°C Air-21°C Water 236 Kg/24h
Dimensions WxDxH*:
53 cm x 61 cm x 69 cm
BIN55 storage: 253 kg



BG 655 + BIN42 + KBT24
(sold separately)

Ice production & storage
@ 21°C Air-10°C Water **318 Kg/24h**
@ 32°C Air-21°C Water 236 Kg/24h
Dimensions WxDxH*:
53 cm x 61 cm x 69 cm
BIN42 storage: 170 kg



* size of the single machine

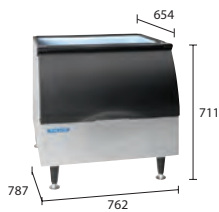
BAR LINE

ICE - MACHINES



Storage Bins

BIN 25



BIN 40



BIN 42



BIN 55



BIN 100



Bin Tops

For Combining Bins With Modular Ice Makers
Model Number Description

Model Number	Description	Shipping Weight kg. (lbs)
KBT 5		14 (30)
KBT19		5 (11)
KBT23		5 (11)
KBT24		6 (13)
KCDS ICE 3020	Stacking for 2 units BM 605 vertically double stacked	n.a.
KCDS ICE 3026	Stacking kit for 2 units BM 805 or 1005 vertically double stacked	n.a.

Bin Chart

Kits for Combining Wider Bins with Smaller Ice Makers

Model No	B-25 Capacity 116 kg Width 762 mm / 30in.	B-40 Capacity 166 kg Width 762 mm / 30in.	B-42 Capacity 170 kg Width 559 mm / 22in.	B-55 Capacity 253 kg Width 762 mm / 30in.	B-100 Capacity 421 kg Width 1220 mm / 48in.
BG 655	KBT19	KBT19	KBT24	KBT19	KBT23
BM 305	Kit not required	Kit not required	n.a.	Kit not required	KBT5
BM 325	KBT19	KBT 19	Kit not required	KBT19	n.a.
BM 405	Kit not required	Kit not required	n.a.	Kit not required	KBT5
BM 525	KBT19	KBT19	Kit not required	KBT19	n.a.
BM 605	Kit not required	Kit not required	n.a.	Kit not required	KBT5
BM 805	Kit not required	Kit not required	n.a.	Kit not required	KBT5
BM 1005	Kit not required	Kit not required	n.a.	Kit not required	KBT5
BM1405	n.a.	n.a.	n.a.	n.a.	Kit not required
BFM 800	KBT19	KBT19	KBT24	KBT19	KBT23
BFM 1256	KBT19	KBT19	KBT24	KBT19	KBT23

BAR LINE

ICE - MACHINES

5th FRIMONT
Ice Machines 1964-2014

Frimont S.p.A.

Via Lainate 31/b - 20010 Pogliano Milanese - (Milano) Italia
Tel +39.02.93960.239 - Fax +39.02.93960.201
info@barline.it - www.barline.it