



7489.5315

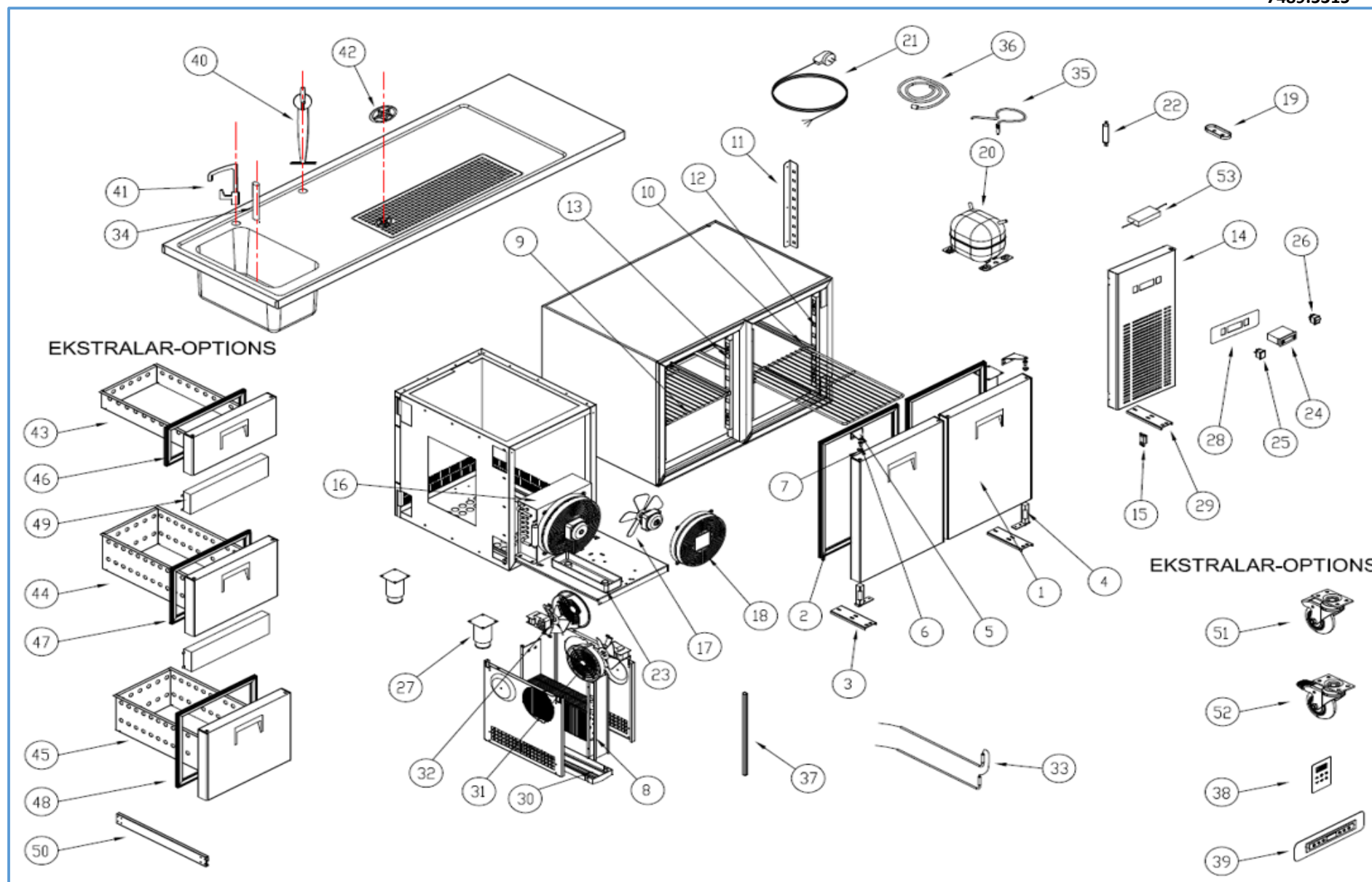
Onderdelen informatie

Erzatzteil information

Spare part information

Information de pièces





Onderdelenlijst 7489.5315

POS:	Art.No.:	Omschrijving:	Aantal:
1		DOOR	2
2	9113.1985	DOOR GASKET	2
3	9113.1810	LOVER HINGE BRACET	2
4	9113.1260	UPRIGHT HINGE AND PARTS	2
5	9113.2005	UPPER HINGE	2
6	9113.1815	UPPER HINGE PIM	2
7	9113.1820	HINGE PLASTIC	2
8	9113.0250	EVAPOROTOR	1
9		SHELF-KGN 540X405	4
10		SHELF GUIDE - 530m	8
11		SHELF RACKET - BACK	2
12		SHELF RACKET - FRONT	4
13		SHELF RACKET - MIDDLE	2
14		CANOPY	1
15		MAGNET HINGES	2
16	9113.1770	1/4 Hp CONDANSER	1
17	9113.1525	10W-FAN MOTOR	1
18	9113.0230	CONDANSER FAN PLASTIC	1
19		PROP COVER	1
20	9113.0690	COMPRESSOR- EMT 6170 Z (1/4)	1
21		PLUG CABLE	1
22		DRAYER	1
23	9113.1080	WATER BOX	1
24	9338.3550	DIGITAL THERMOSTAT TWO PROPE(DIXELL)	1
25	9113.0675	POWER SWITCH	1
26	9113.0680	ON - OFF SWITCH	1
27		STAINLESS STEEL LEG	5
28		DIGITAL LABEL	1
29		CANOPY HINGE	1
30	9113.1075	EVAPOROTOR CUP	1
31	9113.0225	PLASTIC FAN PROTECTION	2
32	9113.0310	EVAP FAN MOTOR	2
33	9113.1045	200W RESISTANCE	1
34		OVERFLOW DISCHARGER	1
35	9113.0150	PROP	1
36	9390.2290	PROP	1
37		LED LAMP	2
38		WATER PROOF DIJITAL	1
39		TOUCH CONTROL DIGITAL	1
40		BEER TOWER SET	1
41		SINK FAUCET	1
42		GLASS WASHER	1
43		1/3 DRAWERS	
44		1/2 DRAWERS	
45		2/3 DRAWERS	
46	9113.0030	1/3 DRAWER GASKET	
47	9113.0040	1/2 DRAWER GASKET	

Onderdelenlijst 7489.5315

POS:	Art.No.:	Omschrijving:	Aantal:
48	9113.0050	2/3 DRAWER GASKET	
49	9113.2010	DRAWERS MIDDLE BRIDGE	
50	9113.0010	DRAWER RAIL	
51	9113.0615	WHEELS	3
52	9113.0620	WHEELS BRAKE	2
53	9113.0880	TRANSFORMER LED	1
.	9113.1665	COUNTER REF EVAP GROUP 2 DOORS	1