

## **Top Juicer**



**150145**

Bartscher GmbH  
Franz-Kleine-Str. 28  
D-33154 Salzkotten  
Germany

Phone: +49 5258 971-0

Fax: +49 5258 971-120

**Technical Support Hotline:** +49 5258 971-197

[www.bartscher.com](http://www.bartscher.com)



Version: 2.0

Date of preparation: 2020-12-14

---

## Original instruction manual

1	Safety .....	2
1.1	Explanation of Signal Words.....	2
1.2	Safety instructions.....	3
1.3	Intended Use .....	4
1.4	Unintended Use .....	5
2	General information .....	6
2.1	Liability and Warranty .....	6
2.2	Copyright Protection .....	6
2.3	Declaration of Conformity .....	6
3	Transport, Packaging and Storage .....	7
3.1	Delivery Check.....	7
3.2	Packaging .....	7
3.3	Storage .....	7
4	Technical Data.....	8
4.1	Technical Specifications .....	8
4.2	List of Components of the Appliance .....	9
4.3	Functions of the Appliance.....	10
5	Installation and operation .....	11
5.1	Installation.....	11
5.2	Operation .....	12
6	Cleaning .....	18
6.1	Safety Instructions for Cleaning .....	18
6.2	Cleaning.....	18
7	Disposal.....	20



**Read this instruction manual before using and keep it available at all times!**

This instruction manual contains information about installation, operation and maintenance of the appliance and constitutes an important source of information and reference guide. The knowledge of all operational and safety instructions included in this manual is a prerequisite for safe and proper handling of the appliance. Additionally, accident prevention, occupational health and safety, and legal regulations in force in the area the appliance is used apply.

Before you start using the appliance, especially before turning it on, read this instruction manual in order to avoid personal injuries and property damages. Improper use may cause damage.

This instruction manual forms an integral part of the product and must be stored in an immediate vicinity of the appliance and be available at all times. The instruction manual should be transferred together with the appliance.

## 1 Safety

EN

This appliance has been manufactured in accordance with technical standards currently in force. However, the appliance may be a source of hazards if used improperly or contrary to its intended purpose. All persons using the appliance must consider information included in this instruction manual and observe safety instructions.

### 1.1 Explanation of Signal Words

Important safety instructions and warning information are indicated in this instruction manual with appropriate signal words. You must strictly follow the instructions, to prevent accidents, personal injuries and property damages.



**DANGER!**

The signal word **DANGER** warns against hazards that lead to severe injuries or death if the hazards are not avoided.



**WARNING!**

The signal word **WARNING** warns against hazards that may lead to moderate or severe injuries or death if the hazards are not avoided.



### CAUTION!

The signal word **CAUTION** warns against hazards that may lead to light or moderate injuries if the hazards are not avoided.

### IMPORTANT!

The signal word **IMPORTANT** indicates possible property damages, which may occur if safety instructions are not observed.

### NOTE!

The symbol **NOTE** indicates subsequent information and guidelines for the user on usage of the appliance.

## 1.2 Safety instructions

### Electrical Current

- Too high a mains voltage or incorrect installation may cause electric shock.
- The appliance may be connected only if data on the rating plate correspond with the mains voltage.
- To avoid short-circuit, the appliance should be kept dry.
- If there are malfunctions during operation, disconnect the appliance from the power supply.
- Do not touch the appliance's plug with wet hands.
- Never take hold of the appliance if it has fallen into water. Immediately disconnect the appliance from the power supply.
- Any repairs or housing opening may be carried out by professionals and relevant workshops only.
- Do not transport the appliance, holding it by the power cord.
- Do not allow the power cord to come into contact with heat sources or sharp edges.
- Do not bend, pinch nor knot the power cord.
- Always completely unwind the power cord.
- Never place the appliance or other objects on the power cord.
- Always take hold of the plug to disconnect the appliance from the power supply.

- Check the power cord regularly for damage. Do not use the appliance if the power cord is damaged. If this cable is damaged, it must be replaced by customer service or a qualified electrician in order to avoid dangers.

## Operating personnel

- This appliance is not intended to be used by persons (including children) with limited physical, sensory or mental capabilities, nor by persons with limited experience and/or limited knowledge.
- Children should be supervised to ensure that they are not playing with or switching the appliance on.

## Supervised Usage only

- Only supervised appliance may be used.
- Always remain in an immediate vicinity of the appliance.

## Improper Use

- Unintended or prohibited use may cause damage to the appliance.
- The appliance may only be used when its technical condition is flawless and allows for safe operation.
- The appliance may only be used when all connections are executed according to rules of law in force.
- The appliance may only be used when it is clean.
- Use only original spare parts. Never attempt to repair the appliance on your own.
- Do not introduce any changes in the appliance nor modify it.

EN

## 1.3 Intended Use

As described below, every use of the appliance for a purpose differing and/or diverging from its intended standard use, is prohibited and considered to be an unintended use.

The following is an intended use:

- Making fruit and vegetable juices.

**The appliance is intended for home use only.**

## **1.4 Unintended Use**

An unintended use may lead to personal injuries or property damages caused by hazardous voltage, fire or high temperature. The appliance may only be used to perform tasks described in this instruction manual.

The following is an unintended use:

- Processing of unsuitable food products.

## 2 General information

### 2.1 Liability and Warranty

All information and instructions in this instruction manual account for legal regulations in force, current level of technical engineering knowledge as well as our expertise and experience, developed over the years. If special models or additional options are ordered, or state-of-the-art technical solutions were implemented, the actual scope of delivery of the appliance may, in some circumstances, differ from descriptions and numerous drawings in this instruction manual.

The manufacturer is not liable for any damages nor faults stemming from:

- failure to observe instructions,
- unintended use,
- technical alterations introduced by the user,
- usage of unapproved spare parts.

We reserve the right to introduce technical modifications to the product, intended for improvement of the appliance and its performance.

EN

### 2.2 Copyright Protection

This instruction manual, and texts, drawings and images included in it, as well as its other components are copyright protected. It is prohibited to reproduce this instruction manual (including its excerpts), in any form and by any means, and to use and/or transfer its content to third parties without manufacturer's written permission. Violation of the above results in obligation to pay compensation. We reserve the right to claim further damages.

### 2.3 Declaration of Conformity

The appliance meets the currently applicable standards and guidelines of the European Union. We confirm the above in the EC Declaration of Conformity. We may provide relevant Declaration of Conformity upon request.



## 3 Transport, Packaging and Storage

### 3.1 Delivery Check

Immediately upon reception, check the delivery for completeness and possible shipping damage. In the case of visible transport damage refuse to accept the appliance or accept it conditionally. Mark and note the scope of damage in shipping documents/consignment list of the shipping company and lodge a complaint.

Concealed damage must be reported immediately upon its discovery, as compensation claims may only be filed within applicable time limits.

If you find that parts or accessories missing, please contact our Customer Service Department.

### 3.2 Packaging

Do not dispose of the appliance cardboard box. It may be used to store the appliance when relocating or when shipping the appliance to our service point in the case of any damages.

The packaging and its elements are made of recyclable materials. Particularly, these are: plastic films and bags, cardboard box.

When disposing of the packaging, observe applicable domestic regulations. Recyclable packaging materials should be recycled.

EN

### 3.3 Storage

Leave the packaging closed until installation of the appliance; observe external indications concerning method of placing and storage. Store the packaging in the following conditions only:

- in closed rooms;
- in dry and dust-free surrounding;
- away from aggressive agents;
- in a location protected against sunlight;
- in a location protected against mechanical shocks.

In the case of extended storage (over three months), make sure you check the condition of the packaging and the parts regularly. If needed, replace the packaging with a new one.

## 4 Technical Data

### 4.1 Technical Specifications

<b>Name:</b>	<b>Juicer Top Juicer</b>
Article number:	<b>150145</b>
Material:	stainless steel, plastic
Speed levels:	2
Rotational speed (RPMs), max.:	18000
Volume of pulp container, in l:	2
Diameter of filling shaft, in mm:	75
Connected load:	0,7 kW / 230 V / 50-60 Hz
Dimensions (W x D x H), in mm:	210 x 310 x 400
Weight, in kg:	4,4

**EN** We reserve the right to implement technical modifications.

#### Version / Characteristics

- Designed for both hard and soft fruit and vegetables
- ON/OFF switch
- Control: knob
- XXL filling shaft for whole fruits (e.g. apples) or vegetables
- High-performance, low-noise motor
- Fine stainless steel sieve
- Individual parts are dishwasher-safe (except for base unit)
- The set includes:
  - 1 plastic beaker with splash-guard
  - cleaning brush

## 4.2 List of Components of the Appliance



EN

Fig. 1

- |                            |                                    |
|----------------------------|------------------------------------|
| 1. Base unit / motor block | 2. Locking bow with safety element |
| 3. Pusher                  | 4. Filling shaft                   |
| 5. Lid                     | 6. Splash-guard                    |
| 7. Plastic beaker          | 8. Sieve basket                    |
| 9. Cleaning brush          | 10. Juice spout pipe               |
| 11. Sieve base             | 12. Speed level switch (0–1–2)     |
| 13. Pulp container         |                                    |

## Description of the appliance

Top Juicer is an appliance that makes it possible to swiftly produce vitamin-rich fruit and vegetable juice.

Very big **filling shaft**, integrated in the lid, **with diameter of 75 mm** reduces the workload: you may squeeze juice out of whole fruit (e.g. apples) or vegetables, without the need for prior slicing.

Powerful, **700 W motor with two speed levels** provides for optimum results. Low speed level **'1'** is optimal for soft fruit and vegetables, especially for those with high water content, e.g. oranges or watermelons. High speed level **'2'** is ideal for hard and fibrous fruit and vegetable, e.g. apples, ginger, celery, carrot.

**2-littler pulp container** makes it possible to produce high amounts of juice without making breaks. When the pulp container is full, you may simply remove it and empty, without the need to disassemble the entire appliance.

The lid is fixed with **locking bow**, which is equipped **with safety element**. This element stops the appliance immediately, when the locking bow is released.

## 4.3 Functions of the Appliance

EN

The appliance is designed for efficient juice production. Powerful motor — in connection with large filling shaft and pulp container — makes it possible to effortlessly squeeze juice from whole fruit or vegetables.

## 5 Installation and operation

### 5.1 Installation

#### Unpacking / Positioning

- Unpack the appliance, remove all external and internal packaging elements and shipment safeguards.



#### CAUTION!

##### Choking hazard!

Prevent children from accessing package materials, for instance: plastic bags and EPS.

- If the appliance is covered with a protective film, remove it. Remove the film slowly, so no glue residues are left. Remove any glue residues with the use of a suitable solvent.
- Be careful not to damage the rating plate and warning labels fixed on the appliance.
- **Never** place the appliance in humid or wet environment.
- Place the appliance in a way making the connections easily accessible, so that they may be quickly disconnected if such a need arises.
- The appliance should be placed on surfaces that are:
  - even, with sufficient bearing capacity, resistant to water, dry and resistant to high temperatures;
  - sufficiently large, and thus enabling usage of the appliance with no problems;
  - easily accessible;
  - well ventilated.
- Maintain sufficient clearance from table edges. The appliance might turn over and fall down.
- Leave at least 20 cm clearance from flammable walls and items.

### Power supply connection

- Verify if technical data of the appliance (see rating plate) correspond with the local electric power grid specification.
- Connect the appliance to a single, properly grounded mains socket with protective contact. Do not connect the appliance to a multi-socket.
- The power cord should be laid in a way preventing anyone from threading on it or tripping against it.

## 5.2 Operation

### Preparation of Fruit and Vegetables

- When preparing fruit and vegetables, observe the following indications and data in the below table.
- Before squeezing juice, fruit and vegetables should be washed thoroughly, to remove any traces of contamination and plant protective agents (pesticides).
- To obtain better results and better taste, use only fresh fruit or fresh vegetables.
- For processing with juicer, particularly suitable are: apples, pineapples, oranges, grapes, melons, carrots, celery roots, beets and tomatoes.
- Some food products, due to their compact texture, are not suitable for processing with the juicer (e.g. coconuts).
- There is no need to peel off the vegetables with thin peel. You may rub it through with a sponge to remove possible soiling or wax films.
- Fruit and vegetables with hard peel, e.g. melons, pineapples or citrus fruit should be peeled off.
- Remove thick skin off of, for example, lemons, oranges or pineapples.
- Remove seeds and stones of stone fruit, like mango, papaya, etc., to avoid damaging the blades in the sieve basket.
- Some stones of citrus fruit may be bitter. Remove the stones in such fruit before you proceed to squeezing the juice.
- Cut the fruit and vegetables that are too large into smaller pieces. Conical vegetables and fruits, such as carrots, introduce with a thin end first.

<b>Fruit/Vegetables</b>	<b>Preparation</b>
Carrots	Peel and leave in whole, introduce 2–3 pieces a time
Apples	Wash and leave in whole (remove leaf stalks and labels)
Beets	Wash, cut into suitable pieces
Strawberries	Remove leaf stalks
Grapes	Remove leaf stalks
Bananas	Remove skin
Mangos	Remove skin and stones
Pineapples	Remove skin and cut into pieces
Citrus fruit (oranges, lemons, mandarins, grapefruit)	Peel the skin off of all citrus fruit. Oranges and lemons may be left in whole
Melons	Remove skin and cut into pieces
Celery roots	Cut into 6–7 cm pieces
Cucumbers	Remove skin, cut into approx. 15 cm pieces
Tomatoes	-
Fennel	Cut into 6–7 cm pieces
Cherries	Remove stones
Apricots	Remove stones
Peaches	Remove stones
Plums/European plums	Remove stones

### Indications and tips

- When squeezing juice from various fruit and vegetables, it may be helpful to create different variations/combinations, e.g. when squeezing apple and orange juice, it is best to start with soft fruit (oranges) and then proceed with the hard fruit (apples). Thus, the best juice yield will be obtained.
- When squeezing juice from fresh herbs, for example, mint or parsley, they should be processed in the so-called 'meantime', that is between squeezing juice from fruit and vegetables, to obtain the possibly best yield. If the amount of herbs is small, they should be squeezed together with a chunk of a fruit or vegetable.
- Fruit that contain starch (bananas, papaya, figs, avocado, mango, etc.) are difficult to squeeze juice (the produced mousse may lead to clogging of the sieve basket). It is best to prepare these types of fruit in a food processor or a blender. If, however, a juice needs the banana taste, banana should be squeezed first or second in the line. Thanks to blending with other juices, the banana nectar may drip a bit easier. Though, there may be frothing present in the process.
- When squeezing juice from small fruit, for example, grapes or strawberries, place them in the appliance in the handful size of portions and avoid throwing them in one by one. This helps to obtain better results.
- Please remember that red beets dye all other fruit and vegetables. When producing many different juices, the red beet juice should be squeezed at the end, to avoid dyeing all other juices.
- The apple juice will quickly acquire a bronze colour in the open air; thus, add a drop of lemon juice.
- The juice is best served directly after preparation, as with time in the open air juices lose their tastes and nutritional values.
- Never put ice cubes nor frozen fruit in the hopper.

EN

### Before First Use

1. Prior to first use, clean all the removable components of the appliance thoroughly, observing instructions in section **6 'Cleaning'**.
2. Rinse the cleaned elements in fresh water and then wipe them with a linen-free cloth or leave to dry in open air.
3. Wipe the motor block, base unit and supply cord with a soft, moistened cloth.



### Assembly

#### CAUTION!

Please remember to disconnect the appliance from mains supply socket, when it is not in use or some of its components are removed or disassembled.

When assembling, follow figure 2.

1. Place the basic unit / motor block (1) on a soft an even surface.
2. Press the base unit / motor block (1) firmly to the surface, so that feet's suction cups are well fixed.
3. Assemble the pulp container on a suitable holder in the base unit / motor block.

In order to clean the pulp container easier, you may fit it with a foil bag.

4. Insert the sieve base (11) onto the base unit / motor block (1), so that the pulp discharge is located over the pulp container.
5. Insert the sieve basket (8) carefully in the sieve base (11) and press it, until it engages.

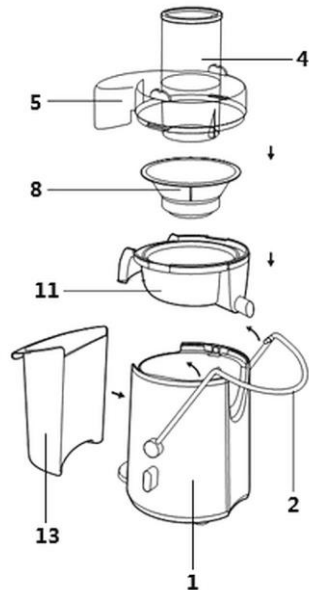


Fig. 2

#### WARNING! Injury hazard!

**Blades in the sieve basket are very sharp.**

Exercise proper caution when inserting the sieve basket.

6. Next, insert the lid (5), making sure at the same time that the filling shaft (4) is over the basket (8).
7. Then, pull the locking bow (2) over the lid (5). Latch it in nest at both sides of the lid (5).

#### ATTENTION!

**The appliance operates only when all components are correctly fitted, and the locking bow with safety element is engaged with the lid.**

### Squeezing Fruit and Vegetable Juice



#### WARNING!

##### Risk of injury caused by rotating components

Never introduce hands into the filling shaft. Always use the enclosed pusher to press food products towards the sieve basket.

During operation, hair, hands, clothing and kitchen utensils should be kept away of rotating elements.

Never remove the lid until the motor and sieve basket are not stopped completely.

#### ATTENTION!

Never operate the appliance, when accessories are assembled, but there are no food products inside.

EN



1. Place the plastic beaker (7) with splash-guard (6) under the juice spout pipe (10) (Fig. 1).
2. Connect the appliance to a single grounded socket.
3. Rotate the speed level switch (12) to '1' or '2' position.

Level '1' is used for squeezing juice from soft fruit and vegetables, and level '2' — from hard fruit and vegetables.

4. Fill the filling shaft (4) with the prepared fruit and vegetables.
5. Insert the pusher (3) into the filling shaft (4), paying attention to the hollow area in the pusher, and the curve inside the filling shaft.

Fig. 3

6. Move the pusher slowly down, with a little pressure, to get a minimum amount of juice.

When pressed too hard, the amount of the obtained juice is reduced, and the appliance may be damaged.

## Installation and operation

---

The squeezed fruit or vegetable juice flows out of the juice spout pipe in the sieve base and is collected in the plastic beaker. The pulp is separated and collected in the pulp container.

Fruit or vegetables may be added provided that the plastic beaker or the pulp container are not full.

7. Remember to place the plastic beaker with splash-guard under the juice spout pipe in the sieve base when squeezing the juice.
8. Observe the filling level of the pulp container when squeezing the juice.
9. Switch the appliance off, when the pulp container is full.
10. Empty the pulp container.

### **ATTENTION!**

**Overfilled pulp container may cause the appliance cease to operate correctly. The pulp excess that gets into the motor housing may be the cause of damage.**

Observe the condition of the pulp container and empty it regularly!

### **ATTENTION!**

**As a rule, the appliance should never be operated without breaks for more than 3 minutes. After 3 minutes of continuous operation the appliance should be left to cool down for approx. 20 minutes before subsequent operation.**

EN

11. If the indicated time of 3 minutes is not enough to complete the squeezing of juice, switch the appliance off (rotate the speed level switch to '0'). Leave the appliance to cool down before the squeezing process is continued.
12. When the squeezing process is finished, switch the appliance off and disconnect it from mains socket (pull the plug out).

## 6 Cleaning

### 6.1 Safety Instructions for Cleaning

- Before cleaning, disconnect the appliance from the power supply.
- Leave the appliance to cool down completely.
- Make sure water does not enter the appliance. Do not immerse the appliance in water or other liquids during cleaning. Do not clean the appliance with a pressurized water jet.
- Do not use any sharp or pointed, nor metal implements (knife, fork, etc.). Sharp or pointed implements may damage the appliance, and when in contact with live parts, they may cause electric shock.
- For cleaning, do not use any scouring agents that contain solvents nor corrosive cleaning agents. They may damage the surface.

### 6.2 Cleaning

1. Clean the appliance after each use.
2. Immediately after use, disassemble the removable components for cleaning purposes, observing the order of disassembly:
  - remove the pulp container and remove the pulp
  - release the locking bow of the lid
  - remove the lid
  - remove the sieve base with sieve basket through lifting it up from the base unit / motor block
  - remove the sieve basket carefully from the sieve base.
3. Clean the sieve base, lid, pulp container, pusher and plastic beaker with splash-guard thoroughly in warm, running water.

**WARNING! Injury hazard!**

**The blades of the appliance sieve are very sharp.**

Use the enclosed dish-washing brush for cleaning the sieve basket.

4. Hold the sieve basket under running water and brush the external side of the sieve basket first, using the enclosed brush.
5. Then brush the inside of the sieve basket with the brush, making movements in counter-clockwise direction to remove the left over pulp.

## Cleaning

---

In order to check if the entire left over pulp, which blocked the openings of sieve basket, was actually removed, the sieve basket should be held against a source of light.

6. All the cleaned parts should be rinsed thoroughly with fresh water.
7. Leave the parts to dry in open air or dry with a linen-free cloth.

**NOTE: All detachable elements of the appliance are dishwasher-safe.**


### **WARNING!**

**Never attempt to immerse the base unit / motor block in water, neither wash it under running water, nor in a dishwasher.**

8. Clean the base unit / motor block and power cord with a soft, damp cloth only.
9. Then wipe the base unit / motor block and power cord dry with a soft cloth only.
10. Assemble all the parts after drying, and prior to subsequent use or storage of the appliance.

## 7 Disposal

### Electrical Appliance

	<p>Electric appliances are marked with this symbol. Electrical appliances must be disposed of and recycled in a correct and environmentally friendly manner. You must not dispose of electric appliances with household waste. Disconnect the appliance from the power supply and remove power cord from the appliance.</p>
---	---

Electrical appliances should be returned to designated collection points.